

CONTACTOR, AC-6B, 25KVAR/400V, 1NO+2NC, 230 V AC 50HZ
3-POLE, SIZE S0 SCREW TERMINAL



Figure similar

Product brand name	SIRIUS
Product designation	capacitor contactors
Product type designation	3RT26

General technical data	
Size of contactor	S0
Product extension	No
<ul style="list-style-type: none"> Auxiliary switch 	No
Insulation voltage	690 V
<ul style="list-style-type: none"> rated value 	690 V
Degree of pollution	3
Surge voltage resistance rated value	6 kV
maximum permissible voltage for safe isolation	400 V
<ul style="list-style-type: none"> between coil and main contacts acc. to EN 60947-1 	400 V
Protection class IP	IP20
<ul style="list-style-type: none"> on the front 	IP20
<ul style="list-style-type: none"> of the terminal 	IP20

Shock resistance at rectangular impulse	
• at AC	8,3g / 5 ms, 5,3g / 10 ms
Shock resistance with sine pulse	
• at AC	13,5g / 5 ms, 8,3g / 10 ms
Mechanical service life (switching cycles)	
• of the contactor with added auxiliary switch block typical	3 000 000
Electrical endurance (switching cycles)	200 000

Ambient conditions

Installation altitude at height above sea level	
• maximum	2 000 m
Ambient temperature	
• during operation	-25 ... +60 °C
• during storage	-55 ... +80 °C

Main circuit

Number of NO contacts for main contacts	3
Number of NC contacts for main contacts	0
Operating current	
• at AC-6b at 690 V at ambient temperature 60 °C rated value	36 A
No-load switching frequency	
• at AC	500 1/h
Operating frequency at AC-6b	
• at 230 V maximum	100 1/h
• at 240 V maximum	100 1/h
• at 400 V maximum	100 1/h
• at 480 V maximum	100 1/h
• at 500 V maximum	100 1/h
• at 600 V maximum	100 1/h

Control circuit/ Control

Type of voltage	AC
Type of voltage of the control supply voltage	AC
Control supply voltage at AC	
• at 50 Hz rated value	230 ... 230 V
Control supply voltage frequency	50 Hz
Operating range factor control supply voltage rated value of magnet coil at AC	
• at 50 Hz	0.8 ... 1.1
Apparent pick-up power of magnet coil at AC	77 V·A
Inductive power factor with closing power of the coil	0.82
Apparent holding power of magnet coil at AC	9.8 V·A

Inductive power factor with the holding power of the coil	0.25
Closing delay <ul style="list-style-type: none"> • at AC 	8 ... 40 ms
Arcing time	10 ... 15 ms
Residual current of the electronics for control with signal <0> <ul style="list-style-type: none"> • at AC at 230 V maximum permissible 	7 mA

Auxiliary circuit

Number of NC contacts <ul style="list-style-type: none"> • for auxiliary contacts <ul style="list-style-type: none"> — attachable — instantaneous contact 	2 0 2
Number of NO contacts <ul style="list-style-type: none"> • for auxiliary contacts <ul style="list-style-type: none"> — attachable — instantaneous contact 	1 0 1
Operating current of auxiliary contacts at AC-12 maximum	10 A
Operating current of auxiliary contacts at AC-15 <ul style="list-style-type: none"> • at 230 V • at 400 V 	6 A 3 A
Operating current of auxiliary contacts at DC-13 <ul style="list-style-type: none"> • at 24 V • at 60 V • at 110 V • at 125 V • at 220 V 	6 A 2 A 1 A 0.9 A 0.3 A
Contact reliability of auxiliary contacts	0.00000001

UL/CSA ratings

Contact rating of auxiliary contacts according to UL	A600 / Q600
--	-------------

Short-circuit protection

Design of the fuse link <ul style="list-style-type: none"> • for short-circuit protection of the main circuit <ul style="list-style-type: none"> — with type of coordination 1 required • for short-circuit protection of the auxiliary switch required 	gL/gG NH 3NA, DIAZED 5SB, NEOZED 5SE: 80 A fuse gL/gG: 10 A
---	--

Installation/ mounting/ dimensions

Mounting position	+/-180° rotation possible on vertical mounting surface; can be tilted forward and backward by +/- 22.5° on vertical mounting surface
-------------------	--

Mounting type	screw and snap-on mounting onto 35 mm standard mounting rail according to DIN EN 50022
Height	135 mm
Width	45 mm
Depth	155 mm
Required spacing	
<ul style="list-style-type: none"> • with side-by-side mounting <ul style="list-style-type: none"> — at the side • for grounded parts <ul style="list-style-type: none"> — at the side 	10 mm
	10 mm

Connections/Terminals

Type of electrical connection	
<ul style="list-style-type: none"> • for main current circuit • for auxiliary and control current circuit 	<p>screw-type terminals</p> <p>screw-type terminals</p>
Type of connectable conductor cross-sections	
<ul style="list-style-type: none"> • for main contacts <ul style="list-style-type: none"> — solid — stranded — single or multi-stranded — finely stranded with core end processing • at AWG conductors for main contacts 	<p>2x (1 ... 2.5 mm²), 2x (2.5 ... 10 mm²)</p> <p>2x (1 ... 2.5 mm²), 2x (2.5 ... 10 mm²)</p> <p>2x (1 ... 2,5 mm²), 2x (2,5 ... 10 mm²)</p> <p>2x (1 ... 2.5 mm²), 2x (2.5 ... 6 mm²), 1x 10 mm²</p> <p>2x (16 ... 12), 2x (14 ... 8)</p>
Type of connectable conductor cross-sections	
<ul style="list-style-type: none"> • for auxiliary contacts <ul style="list-style-type: none"> — solid — single or multi-stranded — finely stranded with core end processing • at AWG conductors for auxiliary contacts 	<p>2x (0.5 ... 1.5 mm²), 2x (0.75 ... 2.5 mm²), 2x 4 mm²</p> <p>2x (0,5 ... 1,5 mm²), 2x (0,75 ... 2,5 mm²), 2x 4 mm²</p> <p>2x (0.5 ... 1.5 mm²), 2x (0.75 ... 2.5 mm²)</p> <p>2x (20 ... 16), 2x (18 ... 14), 2x 12</p>
Type of minimum connectable cross-section for main contacts at AC-6b	
<ul style="list-style-type: none"> • at 40 °C • at 60 °C 	<p>1x 10 mm²</p> <p>2x 10 mm²</p>

Safety related data

Product function	
<ul style="list-style-type: none"> • Mirror contact acc. to IEC 60947-4-1 • positively driven operation acc. to IEC 60947-5-1 	<p>No</p> <p>No</p>

Certificates/approvals

General Product Approval				Declaration of Conformity	Test Certificates
 CCC	 CSA	 UL		 EG-Konf.	Type Test Certificates/Test Report

Marine / Shipping					
 ABS	 BUREAU VERITAS	 GL	 LRS	 RINA	 RMRS

Marine / Shipping	other	
 DNV-GL	Confirmation	 VDE

Further information

Information- and Downloadcenter (Catalogs, Brochures,...)

<http://www.siemens.com/industrial-controls/catalogs>

Industry Mall (Online ordering system)

<https://mall.industry.siemens.com/mall/en/en/Catalog/product?mlfb=3RT2627-1AP05>

Cax online generator

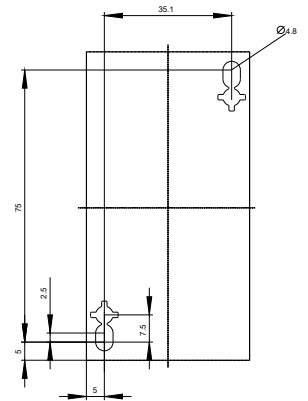
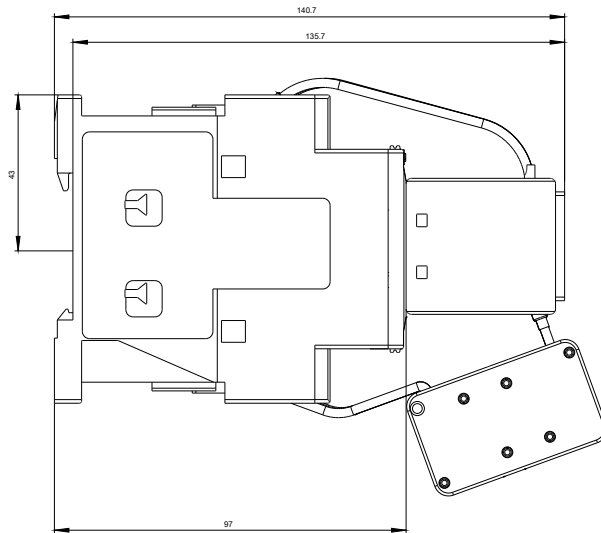
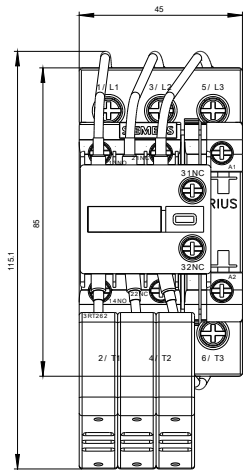
<http://support.automation.siemens.com/WW/CAXorder/default.aspx?lang=en&mlfb=3RT2627-1AP05>

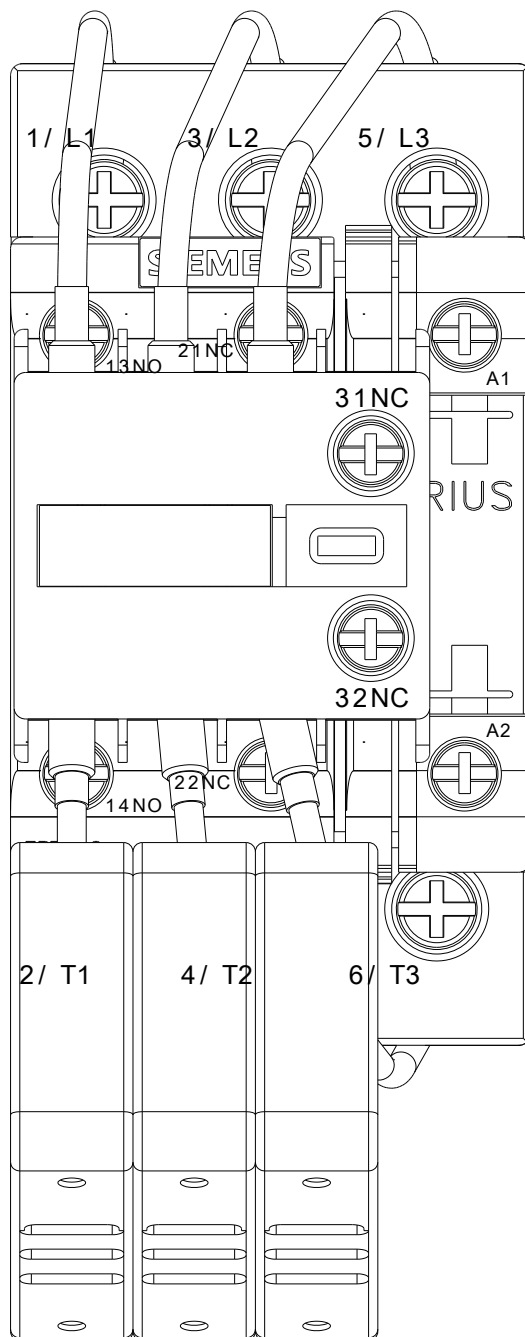
Service&Support (Manuals, Certificates, Characteristics, FAQs,...)

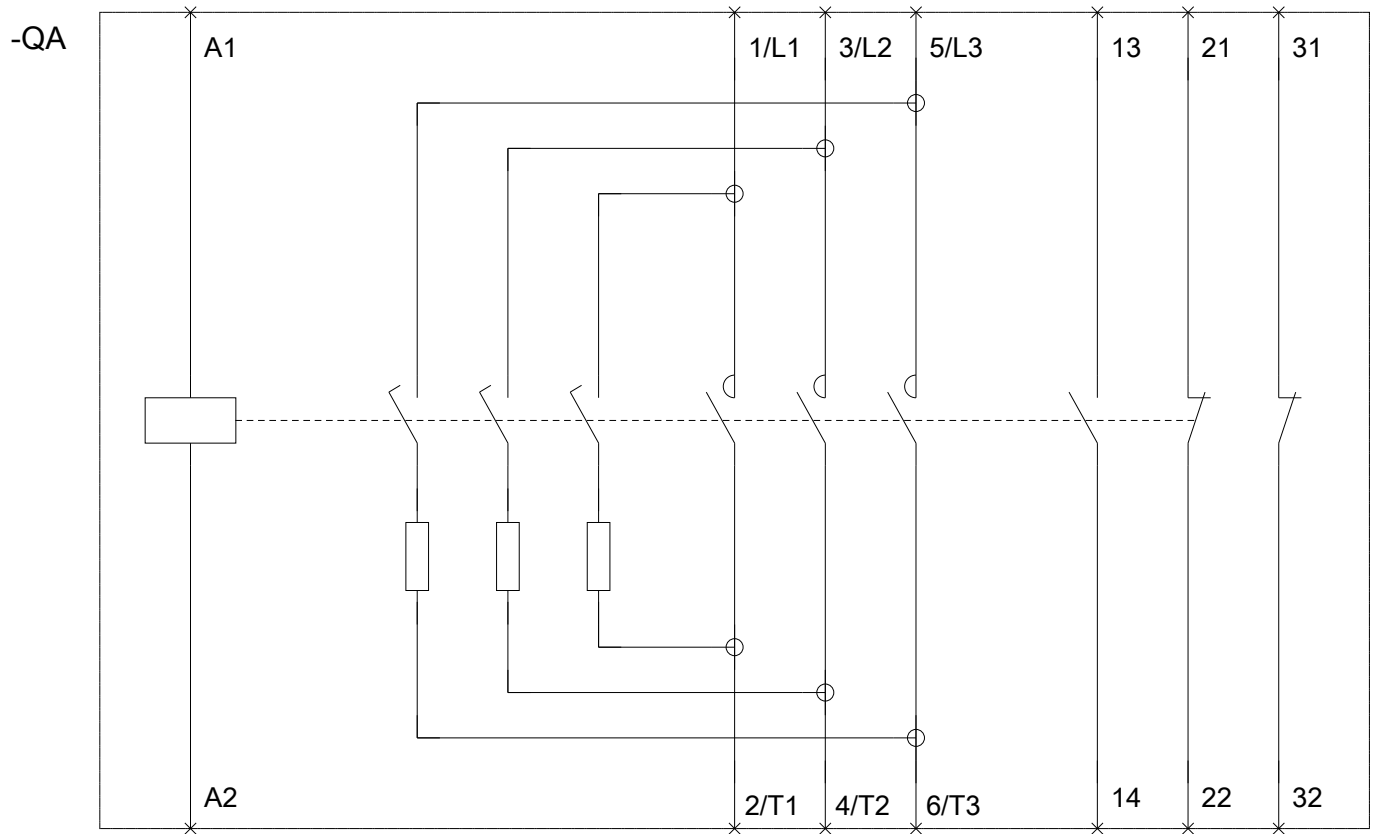
<https://support.industry.siemens.com/cs/ww/en/ps/3RT2627-1AP05>

Image database (product images, 2D dimension drawings, 3D models, device circuit diagrams, EPLAN macros, ...)

http://www.automation.siemens.com/bilddb/cax_de.aspx?mlfb=3RT2627-1AP05&lang=en







last modified:

11/26/2017