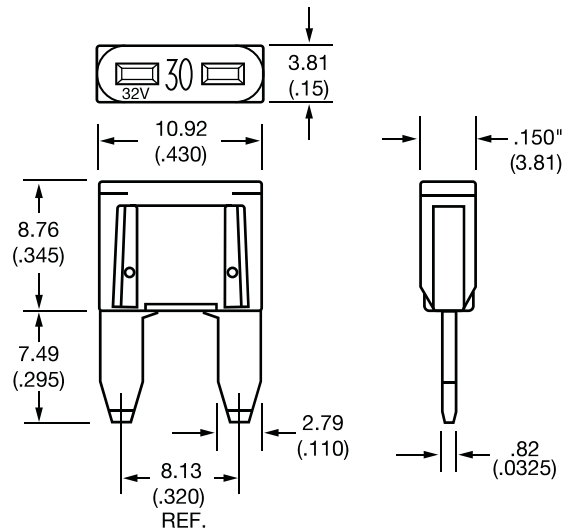


# MINI Blade Fuses



## Dimensions - mm(in)

(Dims. Shown are for reference only. Contact factory for latest prints)



### ATM Mini - Fuse

Fast-Acting

#### Specifications

**Current Rating:** 2-30A

**Voltage Rating:** 32Vdc

**Interrupt Rating:** 1000A @ 32Vdc

**Housing Material:** UL-Rated 94V0 thermoplastic

**Terminal Material:** Silver-plated zinc alloy

**Marking:** Amperage marking is OCR compliant

**Compliances:** UL-Listed; SAE J2077; ISO 8820-3; SAE 31171 (Ignition protected)

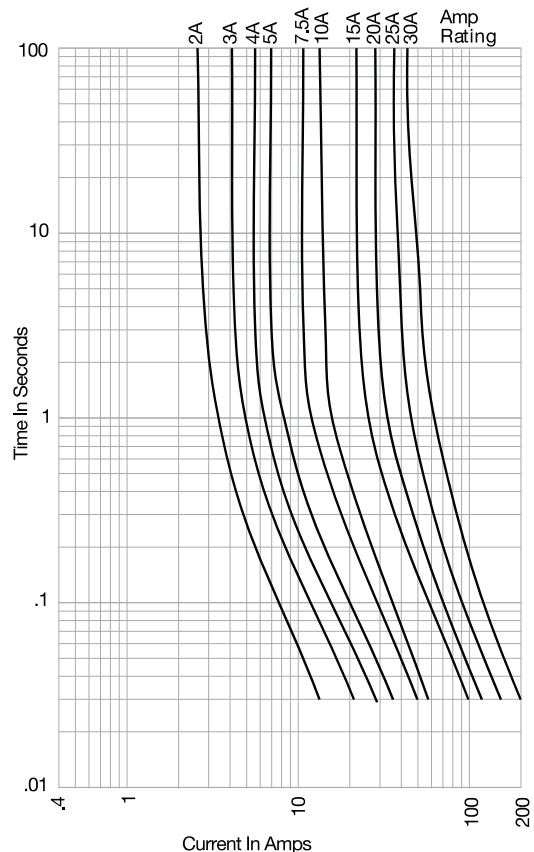
Consult factory for higher voltage fuses.

### Mini Fuse Puller - Part Number 32002



See page 67 for more information.

### Time Current Curves



### Color Coding and Amp Ratings

Part No.	Amp Rating	Color
BK-ATM-2	2	Gray
BK-ATM-3	3	Violet
BK-ATM-4	4	Pink
BK-ATM-5	5	Tan
BK-ATM-7.5	7.5	Brown
BK-ATM-10	10	Red
BK-ATM-15	15	Lt. Blue
BK-ATM-20	20	Yellow
BK-ATM-25	25	Natural
BK-ATM-30	30	Green