

PLEASE CHECK WWW.MOLEX.COM FOR LATEST PART INFORMATION

Part Number: [1300550001](#)
Status: **Active**
Overview: [Brad Industrial Ethernet Solutions](#)
Description: Brad RJ-Lnxx Ethernet Pass-Through RJ-45 Female Receptacle Shielded

Documents:

[Drawing \(PDF\)](#) [RoHS Certificate of Compliance \(PDF\)](#)

General

Product Family	Industrial Receptacles
Series	130055
IP Rating	IP67
Overview	Brad Industrial Ethernet Solutions
Product Name	Brad, RJ-Lnxx, RJ45
Type	Bulkhead Feed-Through
UPC	78172553725

Physical

Coupling Type	External Thread
Gender	Female
Keyway	None
Length	N/A
Material - Component	ABS
Mounting Thread Size	1" - 14 UNC
Net Weight	27.100/g
Orientation	Straight
Panel Mount	N/A
Poles	N/A
Temperature Range - Operating	-20°C to +80°C
Wire Size AWG	N/A
Wire/Cable Type	N/A

Electrical

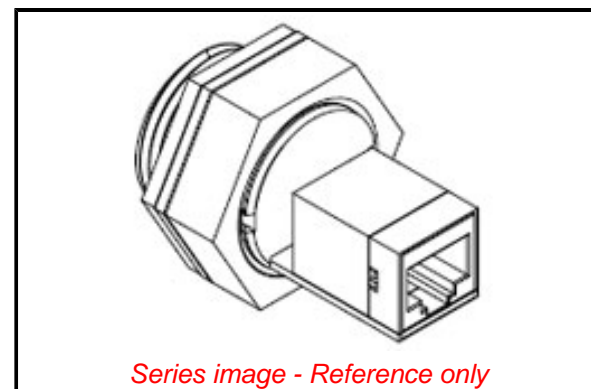
Current - Maximum per Contact	1.5A
Voltage - Maximum	125V DC

Material Info

Engineering Number	ENSP1F5
--------------------	---------

Reference - Drawing Numbers

Sales Drawing	SD-130055-017
---------------	---------------



Series image - Reference only

EU ELV

Not Relevant

EU RoHS

Compliant

REACH SVHC

Not Contained Per
-ED/01/2018 (15
January 2018)

Halogen-Free

Status

Not Reviewed

For more information, please visit [Contact US](#)

China ROHS

ELV

RoHS Phthalates

China RoHS

Green Image

Not Relevant

Not Contained

Search Parts in this Series

[130055 Series](#)