



Position switch Metal enclosure 40 mm according to EN 50041 Device connection 1x (M20 x 1.5) 1 NO/1 NC quick action contacts Fork lever operating mechanism with metal lever and plastic rollers 19 mm

product brand name  
 product designation  
 product type designation  
 manufacturer's article number

- of the supplied basic switch
- of the supplied actuator head for position switches
- of the supplied operating lever
- of the supplied switching contacts
- of the supplied empty enclosure with cover

suitability for use safety switch

SIRIUS  
 Mechanical position switches  
 3SE5

[3SE5112-0CA00](#)  
[3SE5000-0AT10](#)  
[3SE5000-0AT01](#)  
[3SE5000-0CA00](#)  
[3SE5112-0AA00](#)

Yes

**General technical data**

product function positive opening	Yes
insulation voltage rated value	400 V
degree of pollution	class 3
surge voltage resistance rated value	6 kV
protection class IP	IP66/IP67
shock resistance	
• according to IEC 60068-2-27	30g / 11 ms
vibration resistance according to IEC 60068-2-6	0.35 mm/5g
mechanical service life (switching cycles) typical	1 000 000
electrical endurance (switching cycles) at AC-15 at 230 V typical	100 000
electrical endurance (switching cycles) with contactor 3RH11, 3RT1016, 3RT1017, 3RT1024, 3RT1025, 3RT1026 typical	1 000 000
Electrical operating cycles in one hour with contactor 3RH11, 3RT1016, 3RT1017, 3RT1024, 3RT1025, 3RT1026	6 000
thermal current	10 A
material of the enclosure of the switch head	metal
reference code according to IEC 81346-2	B
continuous current of the C characteristic MCB	1 A; for a short-circuit current smaller than 400 A
continuous current of the quick DIAZED fuse link	10 A; for a short-circuit current smaller than 400 A
continuous current of the DIAZED fuse link gG	6 A
active principle	mechanical
repeat accuracy	0.05 mm
Substance Prohibitance (Date)	07/01/2006
minimum actuating torque in directions of actuation	0.25 N·m
length of the sensor	127.5 mm
width of the sensor	40 mm

**Ambient conditions**

ambient temperature	
• during operation	-25 ... +85 °C

<ul style="list-style-type: none"> <li>during storage</li> </ul>	-40 ... +90 °C
<b>explosion protection category for dust</b>	none
<b>design of the switching contact</b>	mechanical
<b>operating frequency rated value</b>	50 ... 60 Hz
<b>number of NC contacts for auxiliary contacts</b>	1
<b>number of NO contacts for auxiliary contacts</b>	1
<b>operational current at AC-15</b>	
<ul style="list-style-type: none"> <li>at 24 V rated value</li> <li>at 125 V rated value</li> <li>at 240 V rated value</li> <li>at 400 V rated value</li> </ul>	6 A 6 A 6 A 4 A
<b>operational current at DC-13</b>	
<ul style="list-style-type: none"> <li>at 24 V rated value</li> <li>at 125 V rated value</li> <li>at 250 V rated value</li> <li>at 400 V rated value</li> </ul>	3 A 0.55 A 0.27 A 0.12 A

<b>Enclosure</b>	
<b>design of the housing</b>	block, narrow
<b>material of the enclosure</b>	metal
<b>coating of the enclosure</b>	cathodic dip coating
<b>design of the housing according to standard</b>	Yes

<b>Drive Head</b>	
<b>design of the actuating element</b>	Twist actuator, fork lever, metal lever, plastic rollers 19 mm, single-track roller
<b>shape of the switch head</b>	roller
<b>design of the switching function</b>	positive opening
<b>circuit principle</b>	snap-action contacts
<b>number of switching contacts safety-related</b>	1
<b>cable entry type</b>	1x (M20 x 1.5)

<b>Installation/ mounting/ dimensions</b>	
<b>mounting position</b>	any
<b>fastening method</b>	screw fixing

<b>Connections/ Terminals</b>	
<b>type of electrical connection</b>	screw-type terminals
<b>type of connectable conductor cross-sections</b>	
<ul style="list-style-type: none"> <li>solid</li> <li>finely stranded with core end processing</li> <li>at AWG cables solid</li> <li>at AWG cables stranded</li> </ul>	1x (0.5 ... 1.5 mm <sup>2</sup> ), 2x (0.5 ... 0.75 mm <sup>2</sup> ) 1x (0.5 ... 1.5 mm <sup>2</sup> ), 2x (0.5 ... 0.75 mm <sup>2</sup> ) 1x (20 ... 16), 2x (20 ... 18) 1x (20 ... 16), 2x (20 ... 18)
<b>design of the interface for safety-related communication</b>	without

<b>Communication/ Protocol</b>	
<b>design of the interface</b>	without

<b>Certificates/ approvals</b>	
<b>General Product Approval</b>	



[Confirmation](#)



<b>Functional Safety/Safety of Machinery</b>	<b>Declaration of Conformity</b>	<b>Test Certificates</b>	<b>other</b>
--	----------------------------------	--------------------------	--------------

[Type Examination Certificate](#)



[Type Test Certificates/Test Report](#)

[Confirmation](#)

<b>Further information</b>
<b>Information- and Downloadcenter (Catalogs, Brochures,...)</b>

<https://www.siemens.com/ic10>

Industry Mall (Online ordering system)

<https://mall.industry.siemens.com/mall/en/en/Catalog/product?mlfb=3SE5112-0CT11>

Cax online generator

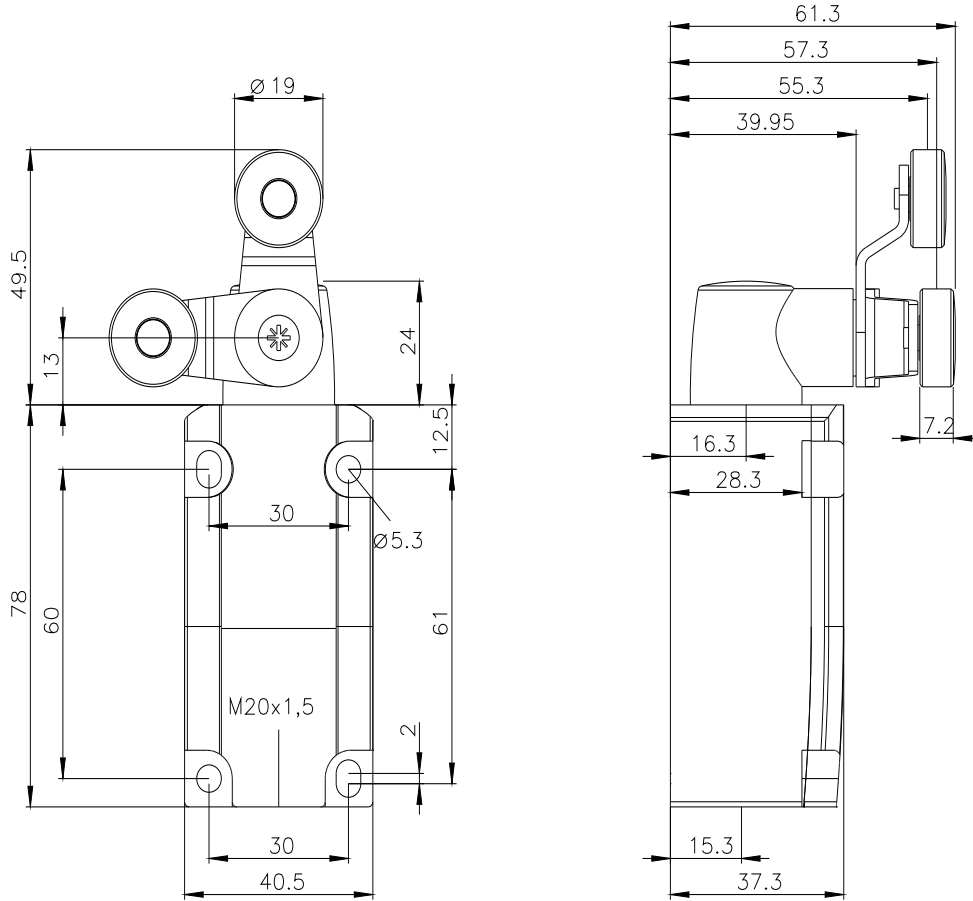
<http://support.automation.siemens.com/WW/CAXorder/default.aspx?lang=en&mlfb=3SE5112-0CT11>

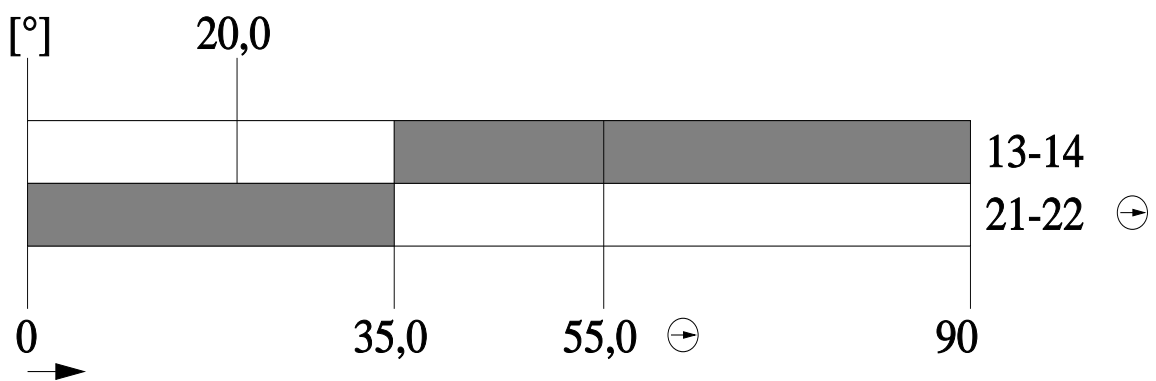
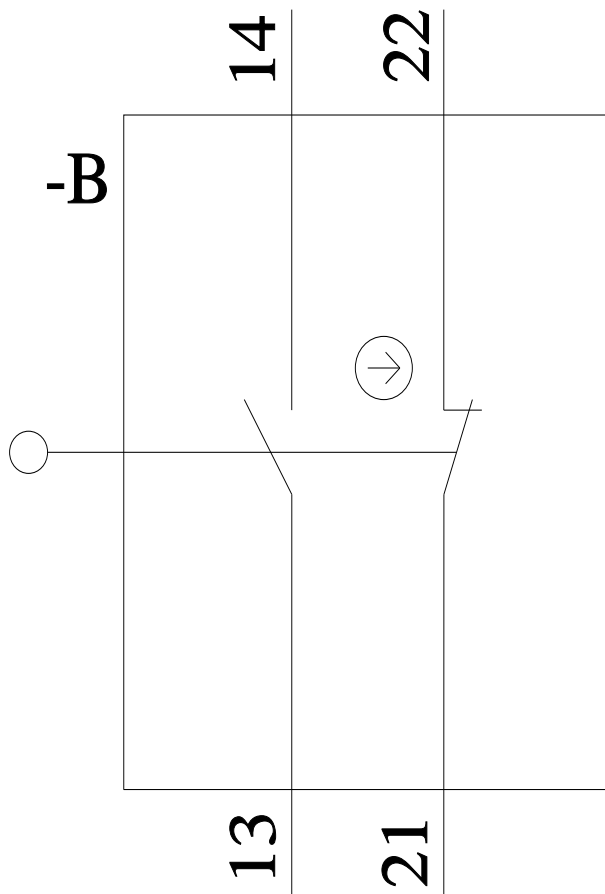
Service&Support (Manuals, Certificates, Characteristics, FAQs,...)

<https://support.industry.siemens.com/cs/ww/en/ps/3SE5112-0CT11>

Image database (product images, 2D dimension drawings, 3D models, device circuit diagrams, EPLAN macros, ...)

[http://www.automation.siemens.com/bilddb/cax\\_de.aspx?mlfb=3SE5112-0CT11&lang=en](http://www.automation.siemens.com/bilddb/cax_de.aspx?mlfb=3SE5112-0CT11&lang=en)





last modified:

1/26/2022 ↗