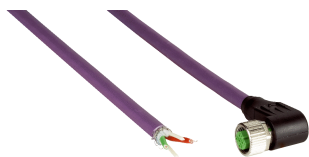


DOL-1205-W10MQ

SICK
Sensor Intelligence.



Ordering information

Type	Part no.
DOL-1205-W10MQ	6041425

Other models and accessories → www.sick.com/

Detailed technical data

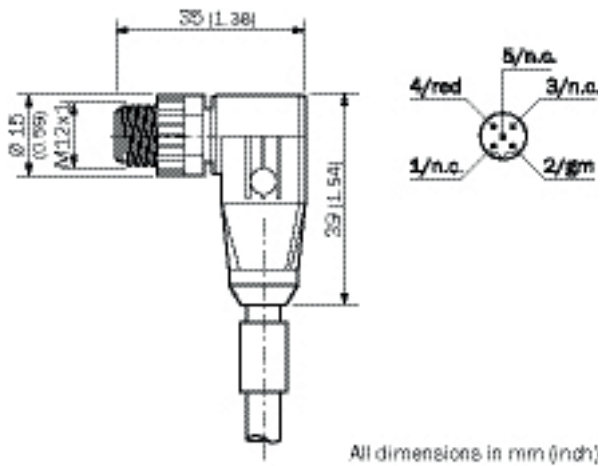
Technical specifications

Accessory group	Plug connectors and cables
Accessory family	Connecting cables
Connection type head A	Female connector, M12, 5-pin, angled, B-coded
Connection type head B	Flying leads
Connector material	TPU
Connector color	Black
Locking nut material	CuZn, nickel-plated brass
Cable	10 m, 2-wire, PUR, halogen-free
Jacket material	PUR, halogen-free
Jacket color	Violet
Cable diameter	7.6 mm
Conductor cross-section	2 x 0.34 mm ²
Shielding	Shielded
Bending radius	
Flexible use	> 10 x cable diameter
Stationary position	> 5 x cable diameter
Bending cycles	≤ 1,000,000
Reference voltage	≤ 60 V
Rated impulse voltage	1.5 kV
Current loading	4 A
Traversing speed	3 m/s
Travelling distance	5 m
Acceleration	≤ 5 m/s ²
Signal type	PROFIBUS DP
Special feature	Twisted pair
Application	Zones with oils and lubricants
Enclosure rating	IP67/ IP68/ IP69K
Ambient operating temperature	
Flexible use	-25 °C ... +80 °C
Stationary position	-50 °C ... +80 °C
Drag chain operation	-25 °C ... +60 °C
Head	-25 °C ... +85 °C

Classifications

ECI@ss 5.0	19030312
ECI@ss 5.1.4	19030312
ECI@ss 6.0	27060304
ECI@ss 6.2	27060304
ECI@ss 7.0	27060304
ECI@ss 8.0	27060304
ECI@ss 8.1	27060304
ECI@ss 9.0	27060304
ETIM 5.0	EC000830
ETIM 6.0	EC000830
UNSPSC 16.0901	26121604

Dimensional drawing (Dimensions in mm (inch))



- ② Green
- ④ Red

SICK AT A GLANCE

SICK is one of the leading manufacturers of intelligent sensors and sensor solutions for industrial applications. A unique range of products and services creates the perfect basis for controlling processes securely and efficiently, protecting individuals from accidents and preventing damage to the environment.

We have extensive experience in a wide range of industries and understand their processes and requirements. With intelligent sensors, we can deliver exactly what our customers need. In application centers in Europe, Asia and North America, system solutions are tested and optimized in accordance with customer specifications. All this makes us a reliable supplier and development partner.

Comprehensive services complete our offering: SICK LifeTime Services provide support throughout the machine life cycle and ensure safety and productivity.

For us, that is “Sensor Intelligence.”

WORLDWIDE PRESENCE:

Contacts and other locations –www.sick.com