



## Main

Range of product	Telemecanique Cabling components
Accessory / separate part category	Cabling accessories
Accessory / separate part type	Connector
Electrical connection	Elbowed female connector M18, 4 pins
Collar material	Plastic
Status LED	Without
Cable connection	Screw terminal / wire size <math>< 1.5 \text{ mm}^2</math> / clamping capacity 5...8 mm

## Complementary

Cable gland type	Pg 9
Cable connector fixing	Screw-on
[Ue] rated operational voltage	250 V AC
[In] rated current	16 A
Enclosure material	Plastic
Minimum insulating resistance	1000 GΩ
Contact resistance	10000 μOhm
Net weight	0.035 kg

## Environment

IP degree of protection	IP65
Ambient air temperature for operation	-40...85 °C

## Packing Units

Unit Type of Package 1	PCE
Number of Units in Package 1	1
Package 1 Weight	28 g
Package 1 Height	2 cm
Package 1 width	8 cm
Package 1 Length	8 cm

Unit Type of Package 2	S01
Number of Units in Package 2	50
Package 2 Weight	1.73 kg
Package 2 Height	15 cm
Package 2 width	15 cm
Package 2 Length	40 cm

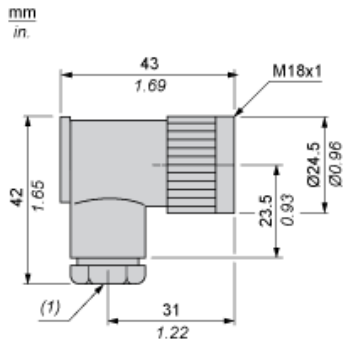
### Offer Sustainability

RECh Regulation	<a href="#">RECh Declaration</a>
EU RoHS Directive	Pro-active compliance (Product out of EU RoHS legal scope) <a href="#">EU RoHS Declaration</a>
Mercury free	Yes
RoHS exemption information	<a href="#">Yes</a>
California proposition 65	WARNING: This product can expose you to chemicals including: Diisononyl phthalate (DINP), which is known to the State of California to cause cancer, and Di-isodecyl phthalate (DIDP), which is known to the State of California to cause birth defects or other reproductive harm. For more information go to <a href="http://www.P65Warnings.ca.gov">www.P65Warnings.ca.gov</a>

### Contractual warranty

Warranty	18 months
----------	-----------

Dimensions



(1) Pg 9 cable gland

---

Connections and Schemes

---

