



WS/WE24-X4301

PRODUCT PORTFOLIO

SICK
Sensor Intelligence.



Illustration may differ



Ordering information

Type	Part no.
WS/WE24-X4301	1011517

Other models and accessories → www.sick.com/

Detailed technical data

Features

Sensor/ detection principle	Through-beam photoelectric sensor
Dimensions (W x H x D)	27 mm x 87.5 mm x 65 mm
Housing design (light emission)	Rectangular
Sensing range max.	0 m ... 40 m
Sensing range	0 m ... 30 m
Type of light	Visible red light
Light source	LED
Adjustment	Potentiometer Potentiometer

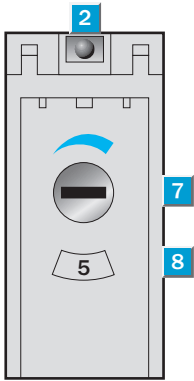
Mechanics/electronics

Supply voltage	5 V DC ... 13.5 V DC
Power consumption	≤ 50 mA ¹⁾
Switching mode	Light switching
Response time	≤ 10 ms ²⁾
Connection type	Male connector M12, 4-pin
Housing material	Metal, Zinc diecast
Optics material	Plastic, PMMA
Enclosure rating	IP67
Ambient operating temperature	-20 °C ... +50 °C
Ambient storage temperature	-25 °C ... +70 °C
UL File No.	Ex II 2G EEx ia IIC T4, ATEX Nr. PTB03 ATEX 2104

¹⁾ Without load.

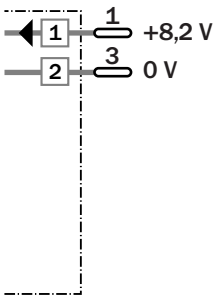
²⁾ Signal transit time with resistive load.

Adjustments possible

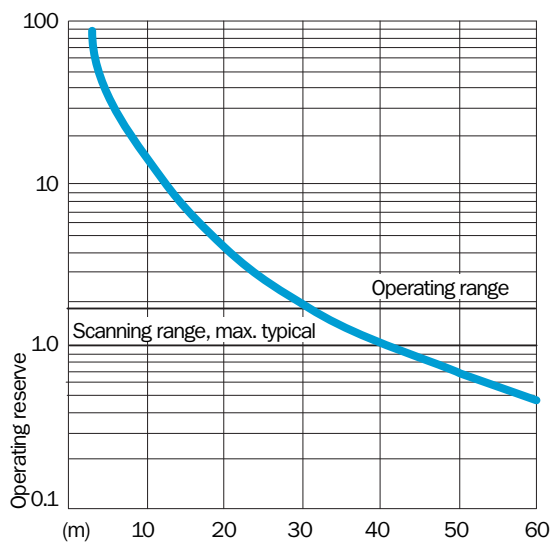


- ② LED signal strength indicator
- ⑦ Sensitivity control
- ⑧ Light/dark selector

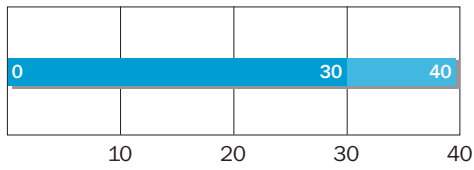
Connection diagram



Characteristic curve

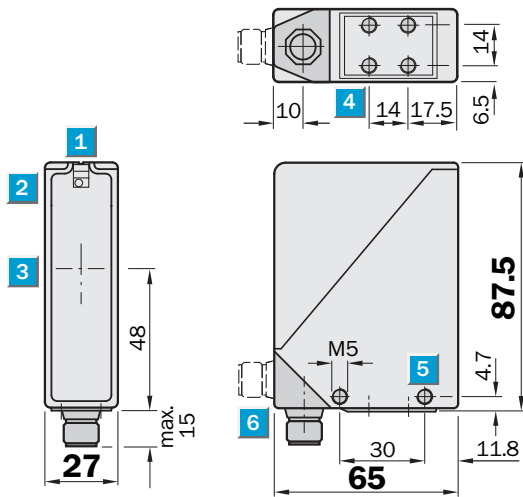


Sensing range diagram



■ Operating range ■ Scanning range, max. typical

Dimensional drawing (Dimensions in mm (inch))



- ① Alignment sight
- ② LED signal strength indicator
- ③ Center of optical axis
- ④ M5 threaded mounting hole, 6 mm deep
- ⑤ M5 threaded mounting hole, through-hole
- ⑥ M16 screw fixing and plug rotatable by 90°

SICK AT A GLANCE

SICK is one of the leading manufacturers of intelligent sensors and sensor solutions for industrial applications. A unique range of products and services creates the perfect basis for controlling processes securely and efficiently, protecting individuals from accidents and preventing damage to the environment.

We have extensive experience in a wide range of industries and understand their processes and requirements. With intelligent sensors, we can deliver exactly what our customers need. In application centers in Europe, Asia and North America, system solutions are tested and optimized in accordance with customer specifications. All this makes us a reliable supplier and development partner.

Comprehensive services complete our offering: SICK LifeTime Services provide support throughout the machine life cycle and ensure safety and productivity.

For us, that is “Sensor Intelligence.”

WORLDWIDE PRESENCE:

Contacts and other locations –www.sick.com