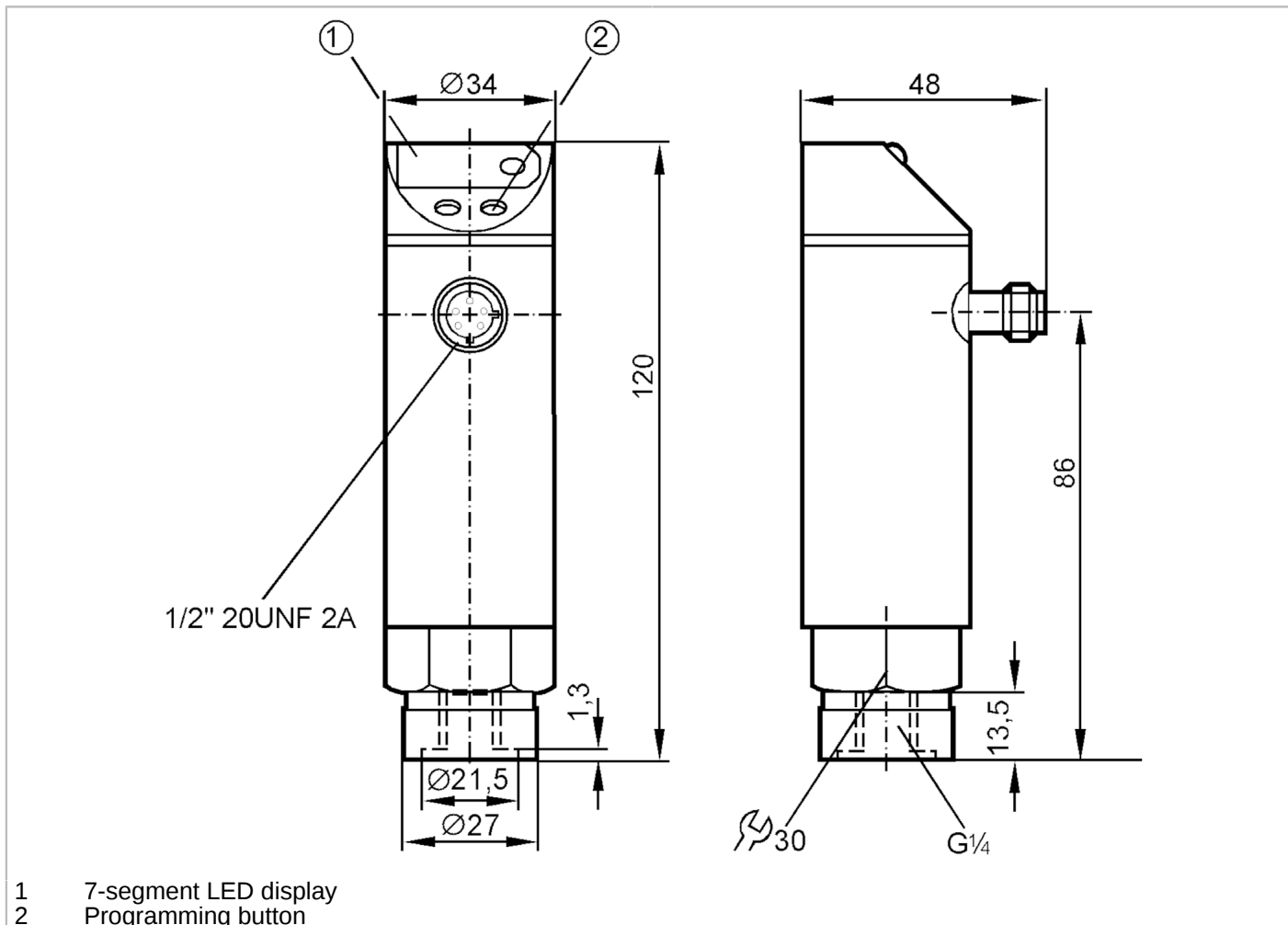


# PY9920



## Pressure sensor with display

PN-400-SBR14-HFBOW/LS/ IV



### Product characteristics

Number of inputs and outputs	Number of digital outputs: 1		
Measuring range	0...400 bar	0...5800 psi	0...40 MPa
Process connection	threaded connection G 1/4 Internal thread		

### Application

Medium temperature	[°C]	-25...80		
Min. bursting pressure		1000 bar	14500 psi	100 MPa
Pressure rating		600 bar	8700 psi	60 Mpa

# PY9920



## Pressure sensor with display

PN-400-SBR14-HFBOW/LS/ IV

Electrical data			
Operating voltage tolerance	[%]	5...10	
Operating voltage	[V]	85...265 AC	
Nominal voltage AC	[V]	< 250	
Current consumption	[mA]	< 10	
Min. insulation resistance	[MΩ]	100; (500 V DC)	
Protection class		II	
Reverse polarity protection		no	
Power-on delay time	[s]	0.2	
Integrated watchdog		yes	
Inputs / outputs			
Number of inputs and outputs		Number of digital outputs: 1	
Outputs			
Total number of outputs		1	
Output signal		switching signal	
Electrical design		Triac	
Number of digital outputs		1	
Output function		normally open / closed; (configurable)	
Max. voltage drop switching output AC	[V]	2	
Permanent current rating of switching output AC	[mA]	250; ((...70 °C) 1000 (...60 °C) 1500 (...45 °C) 2500 (...20 °C))	
Switching frequency AC	[Hz]	< 160	
Short-circuit proof		no	
Overload protection		no	
Measuring/setting range			
Measuring range		0...400 bar	0...5800 psi      0...40 MPa
Set point SP		4...400 bar	60...5800 psi      0.4...40 MPa
Reset point rP		2...398 bar	30...5770 psi      0.2...39.8 MPa
In steps of		1 bar	10 psi      0.1 MPa
Accuracy / deviations			
Switch point accuracy	[% of the span]	< ± 1,0	
Repeatability	[% of the span]	< ± 0,1; (with temperature fluctuations < 10 K)	
Linearity deviation	[% of the span]	< ± 0,5	
Hysteresis deviation	[% of the span]	< ± 0,1	
Long-term stability	[% of the span]	< ± 0,1; (per year)	
Temperature coefficient zero point	[% of the span / 10 K]	< ± 0,2; (-25...80 °C)	
Temperature coefficient span	[% of the span / 10 K]	< ± 0,3; (-25...80 °C)	

# PY9920



## Pressure sensor with display

PN-400-SBR14-HFBOW/LS/ /V

Reaction times		
Delay time programmable dS, dr [s]	0, 0,2,...10, 11,...50	
Damping process value dAP [s]	0...4	
Software / programming		
Adjustment of the switch point	Programming button	
Parameter setting options	hysteresis / window; normally open / closed; switch-on/switch-off delay; Damping; adaptation of displayed values; display can be rotated and switched off; Display unit	
Operating conditions		
Ambient temperature [°C]	-25...80	
Storage temperature [°C]	-40...100	
Protection	IP 67	
Tests / approvals		
EMC	EN 61000-4-2 ESD	4 kV CD / 8 kV AD
	EN 61000-4-3 HF radiated	10 V/m
	EN 61000-4-4 Burst	2 kV
	EN 61000-4-6 HF conducted	10 V
Shock resistance	DIN IEC 68-2-27	50 g (11 ms)
Vibration resistance	DIN IEC 68-2-6	20 g (10...2000 Hz)
MTTF [years]	224.58	
Pressure equipment directive	sound engineering practice; can be used for group 2 fluids; group 1 fluids on request	
Mechanical data		
Weight [g]	387	
Material	FKM; PA; PBT; PC; stainless steel (1.4301 / 304)	
Materials (wetted parts)	stainless steel (1.4305 / 303); ceramics; FKM	
Min. pressure cycles	100 million	
Process connection	threaded connection G 1/4 Internal thread	
Restrictor element integrated	yes	
Displays / operating elements		
Display	Switching status	LED, red
	Function display	7-segment LED display
	Measured values	7-segment LED display
Display unit	bar; psi; MPa	
Electrical connection		
Required protection	miniature fuse to IEC60127-2 sheet 1; ≤ 5 A; fast acting	
Remarks		
Remarks	n.c. = not used	
Pack quantity	1 pcs.	
Electrical connection		
Connector: 1 x 1/2"; coding: C		

# PY9920

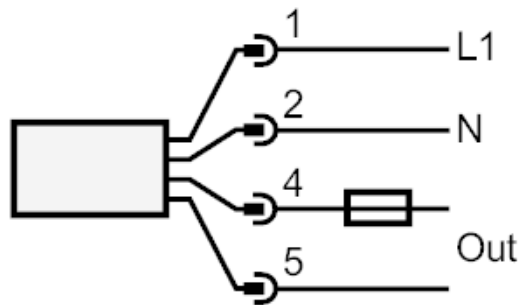


## Pressure sensor with display

PN-400-SBR14-HFBOW/LS/ IV



### Connection



Note miniature fuse to IEC60127-2 sheet 1  $\leq$  5 A fast acting