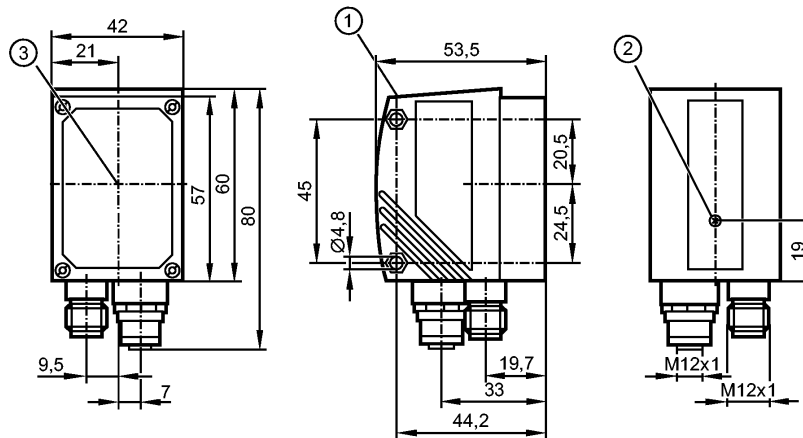


O2D220

O2DIRPKG/K

Object recognition

Please note the wiring of the sensor and the sockets (see data sheet) as for 8-pole sockets the core colours are not standardised.



- 1: display
- 2: Focus adjustment screw
- 3: Centre of the lens axes



Product characteristics

Object recognition sensor	
Max. field of view size: 640 x 480 mm	
Infrared lighting 850 nm	

Electrical data

Operating voltage	[V]	24 DC ± 10 %
Current consumption	[mA]	300
Type of light		Infrared light 850 nm
Protection class		III
Reverse polarity protection		ja *)
Connection external illumination	[V]	24 V DC
Type of sensor		CMOS image sensor B/W, VGA resolution 640 x 480

Inputs

Circuit	max. 2 (configurable) / 24 V PNP to IEC 61131-2 type 1
Trigger	external; 24 V PNP to IEC 61131-2 type 1 internal

Outputs

Output	max. 5 (configurable) / 24 V PNP
Max. current load per output	[mA] 100
Voltage drop	[V] < 2
Short-circuit protection	yes
Overload protection	yes

Range

Operating distance	[mm]	50	75	100	200	400	1000	2000
Field of view size	[mm]	16 x 12	24 x 18	32 x 24	64 x 48	128 x 96	320 x 240	640 x 480
Smallest detectable object	[mm]	0.1	0.2	0.3	0.4	0.8	2.0	4.0
Resolution	[mm]	0.025	0.05	0.075	0.1	0.2	0.5	1.0
Detection rate	[Hz]	≤ 20						

O2D220

O2DIRPKG/K

Object recognition

Motion speed	[m/s]	typ. 1
--------------	-------	--------

Software / programming

Parameter setting options	via 2 pushbuttons and 10-segment display or via PC / notebook with operating software
---------------------------	---

Interfaces

parameter setting interface	Ethernet TCP/IP; 10Base-T / 100Base-TX
Process interface	Ethernet TCP/IP (Port: 50010), EtherNet/IP
IP address	192 .168 .0 .49
subnet mask	255.255.255.0 (Class C)
gateway IP address	192 .168 .000 .201
MAC address	see type label

Environment

Ambient temperature	[°C]	-10...60
Storage temperature	[°C]	-40...85
Protection		IP 67

Tests / approvals

EMC	radiation of interference noise immunity	to EN 61326 to EN 61326
MTTF	[Years]	90
Shock resistance		IEC 60028-2-27:
Vibration resistance		IEC 60028-2-6:

Mechanical data

Housing materials	housing: diecast zinc powder-coated; window: glass; LED window: polycarbonate
Weight	[kg] 0.4

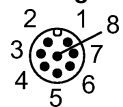
Displays / operating elements

Display	Function display 3 x LED green 4 x LED yellow Display unit / status 4-digit 10-segment display
---------	--

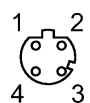
Electrical connection

Connection	M12 plug, 8 poles M12 socket, 4 poles
------------	--

Wiring



- M12: Process connection
- 1: U+
 - 2: trigger input
 - 3: 0 V
 - 4: Switching output 5 / trigger output
 - 5: Switching output 3 / Ready
 - 6: Switching output 4 / OUT
 - 7: Switching output 1 / Input 1
 - 8: Switching output 2 / Input 2



- Ethernet TCP/IP: parameter setting/process connection
- 1: TD+
 - 2: RD+
 - 3: TD-
 - 4: RD-

Accessories

Accessories (optional)	Operating software; Mounting accessories
------------------------	---

**O2D220**

O2DIRPKG/K

Object recognition**Remarks**

Remarks

cULus - Class 2 source required
*) The voltage on pins 2, 4, 5, 6, 7 and 8 must not exceed the supply voltage on pin 1 (U+) (see operating instructions).

Pack quantity

[piece]

1

ifm electronic gmbh • Friedrichstraße 1 • 45128 Essen — We reserve the right to make technical alterations without prior notice. — GB — O2D220 — 25.10.2012

Please note the wiring of the sensor and the sockets (see data sheet) as for 8-pole sockets the core colours are not standardised.