

## Product Discontinuation Notice

Issue Date  
March 2019



Programmable Terminal

No. 20190326

### Discontinuation notice – Programmable Terminal - NT2S series

#### Products to be Discontinued

##### NT2S series models

NT2S-SF121B\*  
 NT2S-SF122B\*  
 NT2S-SF123B\*  
 NT2S-SF125B\*  
 NT2S-SF126B\*  
 NT2S-SF127B\*

And related accessories



#### Suggested Replacement

##### NB series models

NB3Q-TW01B  
 NB3Q-TW00B



#### [ Final order entry date ]

The end of December, 2019

#### [ Date of The Last Shipping ]

The end of March, 2020

#### [ Discontinuation date]

The 31st of March 2020.

#### [ Scheduled date of maintenance close ]

The 31st of March 2025.

#### [ Info on recommended replacement]

The NT2S series HMI will be discontinued to manufacture due to discontinuation of main parts in combination with the old architecture of this product and the better products available today. The NB HMI series offer a modern 3" color touch screen solution. Replacement of NT2S with NB required a change in cut-out and program but gives the opportunity to offer a more flexible solution, graphical interface, and touch screen monitor. The NB series has a complete range of screen sizes to grow with your needs.

## [Efforts on recommended replacement]

<b>x</b>	High
	Medium
	backward compatible

Recommended replacement Model	Body Color	Dimensions	Wire connection	Mounting Dimensions	Characteristics	Operation ratings	Operation methods
NB series HMI	--	--	*	--	*	*	*

\*\* : Compatible

\* : The change is a little/Almost compatible

-- : Not compatible

- : No corresponding specification

## [ Product Discontinuation and recommended replacement]

Product discontinuation	Recommended replacement
<b>NT2S-SF121B-EV2:</b> Programmable terminal (function key HMI), monochrome LCD, 2 line x 16 character display, RTC, <b>6 function keys</b> , black case, RS-232C port for Omron PLC peripheral interface connection, external 24 VDC power supply required	<b>NB3Q-TW00B:</b> 3,5 inches QVGA (320 x 240 pixel) TFT color HMI, 65.536 colors, touch-screen HMI, 1 x RS-232C/422/485 and 1 x USB slave port, external 24 VDC power supply required
<b>NT2S-SF122B-EV2:</b> Programmable terminal (function key HMI), monochrome LCD, 2 line x 16 character display, <b>6 function keys</b> , black case, RS-232C port for power and Omron PLC peripheral interface connection, <b>Powered by PLC.</b>	<b>NB3Q-TW00B:</b> 3,5 inches QVGA (320 x 240 pixel) TFT color HMI, 65.536 colors, touch-screen HMI, 1 x RS-232C/422/485 and 1 x USB slave port, external 24 VDC power supply required
<b>NT2S-SF125B-E:</b> Programmable terminal (function key HMI), monochrome LCD, 2 line x 16 character display, RTC, <b>numeric keypad + 8 function keys</b> , black case, RS-232C port for Omron PLC peripheral interface connection, external 24 VDC power supply required	<b>NB3Q-TW00B:</b> 3,5 inches QVGA (320 x 240 pixel) TFT color HMI, 65.536 colors, touch-screen HMI, 1 x RS-232C/422/485 and 1 x USB slave port, external 24 VDC power supply required
<b>NT2S-SF126B-E:</b> Programmable terminal (HMI / touch screen), monochrome LCD, 2 line x 16 character display, <b>numeric keypad + 8 function keys</b> , black case, RS-232C port for power and Omron PLC peripheral interface connection <b>Powered by PLC.</b>	<b>NB3Q-TW00B:</b> 3,5 inches QVGA (320 x 240 pixel) TFT color HMI, 65.536 colors, touch-screen HMI, 1 x RS-232C/422/485 and 1 x USB slave port, external 24 VDC power supply required
<b>NT2S-SF127B-E:</b> <b>Non-programmable terminal</b> (function key HMI), monochrome LCD, 2 line x 16 character display, <b>numeric keypad + 4 function keys</b> , black case, RS-232C port for power and Omron PLC peripheral interface connection <b>Powered by PLC.</b>	<b>NB3Q-TW00B:</b> 3,5 inches QVGA (320 x 240 pixel) TFT color HMI, 65.536 colors, touch-screen HMI, 1 x RS-232C/422/485 and 1 x USB slave port, external 24 VDC power supply required
<b>NT2S-SF123B-EV2:</b> <b>Non-programmable terminal</b> (function key HMI), monochrome LCD, 2 line x 16 character display, <b>6 function keys</b> , black case, RS-232C port for power and Omron PLC peripheral interface connection <b>Powered by PLC.</b>	<b>NB3Q-TW00B:</b> 3,5 inches QVGA (320 x 240 pixel) TFT color HMI, 65.536 colors, touch-screen HMI, 1 x RS-232C/422/485 and 1 x USB slave port, external 24 VDC power supply required
<b>NT2S-CN224-V1:</b> Communication cable, NT2S-SF122/123/126/127 HMI to CPM2C/CQM1H/CS1/CJ1 peripheral port, 2 m	
<b>NT2S-CN212-V1:</b> Accessory HMI, cable, 2 m, for connecting NT2S-SF121/125 and NT3S HMI to CPM1(A)/CPM2A peripheral port	
<b>NT2S-CN215-V1:</b> Accessory HMI, cable, 5 m, for connecting NT2S-SF121/125 and NT3S HMI to CPM1(A)/CPM2A peripheral port	
<b>NT2S-CN002:</b> Communication cable for programming NT2S and NT3S HMI (not for NT2S-SF123 or NT2S-SF127), 2 m	
<b>NT2S-CN232-V1:</b> Communication cable, NT3S or NT2S-SF121/125 HMI to PLC 9-pin RS-232C serial port, 2 m	
<b>NT2S-CN235-V1:</b> HMI cable, 5 m, for connecting NT3S and NT2S-SF121/125 HMI to PLC 9-pin RS-232C serial port	
<b>NT2S-CN242-V1:</b> Communication cable, NT2S-SF122/126 HMI to PLC 9-pin RS-232C serial port, 2 m	

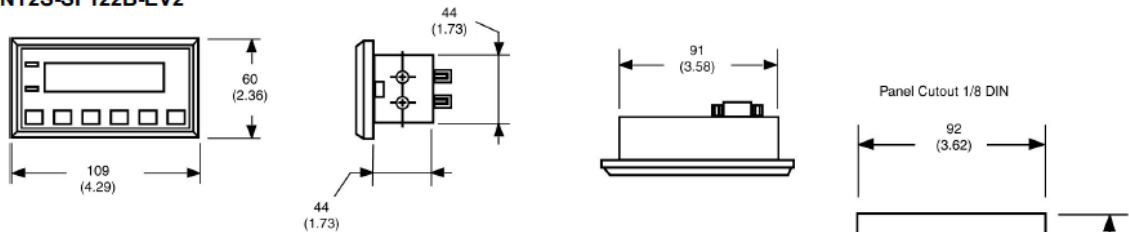
## [ Product's Dimension NT2S and NB3 HMI-Series ]

# Dimensions

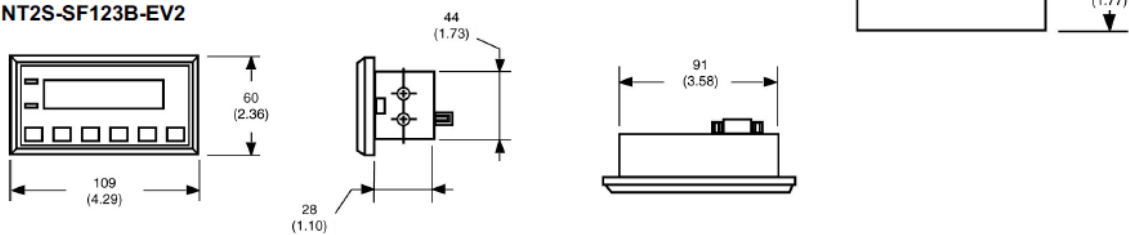
Unit: mm (inch)

### Operator Interfaces

**NT2S-SF121B-EV2**  
**NT2S-SF122B-EV2**

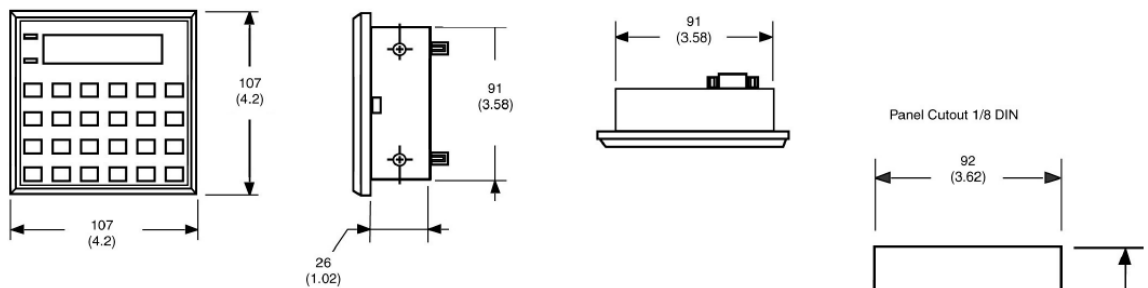


**NT2S-SF123B-EV2**

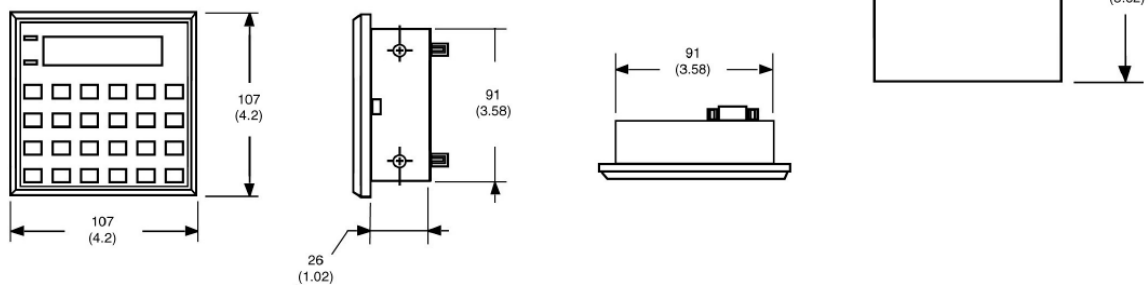


Unit: mm (inch)

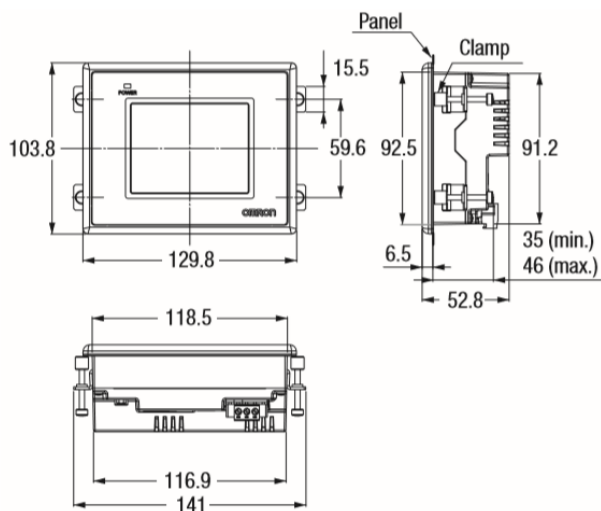
**NT2S-SF125B-E**  
**NT2S-SF126B-E**



**NT2S-SF127B-E**



## NB3Q



### [ Programming software]

There is no compatibility between NT2S and NB3 programming software but the limited functions of NT2S allow to create a new equivalent software in very short time adding all the advantages of the flexibility of a graphical color HMI with touch-screen functions.

The NB-designer programming software for NB Series HMI is available for **free download from Omron Web site**.

**NT2S-SF127B-E and NT2S-SF123B-EV2:** Non-programmable terminals require a change in PLC program.

### [ Numeric Key-pad and function Keys]

NT2S offers Function Keys and numeric Key-pad. This is not available in NB HMI even if it is possible to create a graphical interface which allows same functionalities. Robustness of the touch screen can cover most of the applications in substitution to Function Keys and offer the opportunity to customise the buttons with graphical self-descriptions Icons to simplify the operability and understandability by the user.

### [ Power supply by PLC]

**NT2S-SF123B-EV2; NT2S-SF127B-E; NT2S-SF126B-E; NT2S-SF122B-EV2** are powered by PLC. The serial connection cable includes 5V power supply connection. NB-series HMI only offer 24V power supply: in case substitution of above NT2S units, is required in the configuration an additional 24V Power supply unit.

Information in this product news is effective from the issue date.

Only main changes in specifications are described in this document and are subject to change without notice.

Please be sure to read the relevant catalogs, datasheets, product specifications, instructions, and manuals for precautions and necessary information when you start using the replacement products.