

## Signaling Specifications

Bulletin Numbers 854J, 854K, 855B, 855BS/BM/BL, 855D, 855E, 855F, 855H/HM, 855L, 855P, 855T, 855W, 855X/XM, 856T

Topic	Page
Summary of Changes	2
Additional Resources	2
Bulletin 855P Panel-mount Signaling Alarms	3
Bulletin 855L Panel Light Bars	9
Bulletin 855H — General-purpose Electronic Horns	11
Bulletin 855H — High-performance Electronic Horns	13
Bulletin 855H — Recordable Electronic Horns	19
Bulletin 855HM — High-performance Electronic Metal Horns	23
Bulletin 855B — Mini Square Beacons	29
Bulletin 855B — Industrial Round Beacons	31

Topic	Page
Bulletin 855D — 30 mm Compact Control Tower™ Stack Lights	41
Bulletin 855F — 70 mm Compact Control Tower Stack Lights	46
Bulletin 854J — 40 mm Control Tower Stack Lights	51
Bulletin 854K — 60 mm Control Tower Stack Lights	60
Bulletin 855E — 50 mm Control Tower Stack Lights	69
Bulletin 855T — 70 mm Control Tower Stack Lights	77
Bulletin 856T 70 mm Control Tower Stack Lights	91
Bulletin 855W Wall-mount Signal Light	103
Bulletin 855X Hazardous Location Horns, Beacons, and Loudspeakers	107
Bulletin 855XM Hazardous Location Metal Horns	115

Our signaling devices are available in two types:

- **Audible Devices**  
Including general and high-performance electronic horns, panel mount signaling alarms, and hazardous location horns and beacons.
- **Visual Devices**  
Including panel mount xenon strobes, mini square beacons, panel-mount with selectable steady or flashing light indicators, wall-mount signal lights, panel light bars, industrial round beacons, tower lights, stack lights, and panel-mount dual circuit alarms.

Our signaling devices are designed for fast, flexible, and easy installation to save you time with advanced modular assembly and unparalleled performance and reliability.



## Summary of Changes

Topic	Page
Added 855HM accessories table	24
Updated 854J light module product selection table	51
Updated footnote in 854J Pre-configured Tower Lights, 1...5 Modules catalog number explanation	54
Updated 854K light module product selection table	60
Updated footnotes in 856T Pre-configured Control Tower Lights, 1...7 Modules catalog number explanation	95
Added 855XM accessories table	116

## Additional Resources

These documents contain additional information concerning related products from Rockwell Automation.

Resource	Description
855 Metal Horns Selection Guide, publication <a href="#">855-SG002</a>	Provides product selection for 855XM and 855HM metal horns.
Bulletin 855 Signaling Solutions Brochure, publication <a href="#">855-BR001</a>	Provides information on the complete portfolio of signaling solutions for optimized monitoring
Industrial Automation Wiring and Grounding Guidelines, publication <a href="#">1770-4.1</a>	Provides general guidelines for installing a Rockwell Automation industrial system.
Product Certifications website, <a href="http://www.rockwellautomation.com/global/certification/overview.page">http://www.rockwellautomation.com/global/certification/overview.page</a>	Provides declarations of conformity, certificates, and other certification details.

You can view or download publications at <http://www.rockwellautomation.com/global/literature-library/overview.page>. To order paper copies of technical documentation, contact your local Allen-Bradley distributor or Rockwell Automation sales representative.

## Bulletin 855P Panel-mount Signaling Alarms

This product line includes sounders, status indicator beacons, xenon strobes, and sounders with status indicator combination and dual-circuit alarms. These alarms significantly reduce panel space requirements and installation time. Our panel-mount alarms are rear-securing and fingersafe, which adds a high level of environmental integrity to your panel.

### Bulletin 855P — Panel-mount Sounder

855P — B 10 ME 22  
                   a       b       c       d



30 mm Panel-mount Sounder



45 mm Panel-mount Sounder



65 mm Panel-mount Sounder

a	
Housing Color	
Code	Description
B	Black

b	
Voltage	
Code	Description
30	12...24V AC/DC
10	120V AC
20	240V AC

c	
Size	
Code	Description
SE	30 mm, fully enclosed, smooth front, 72 dB
SH	30 mm, high output, 80 dB
ME	45 mm
LE	65 mm

d	
Mounting Hole	
Code	Description
22	22.5 mm

### Bulletin 855PC — Panel-mount Combined Sounder with LED Beacon

855PC — B 10 ME 3 22  
                   a       b       c       d       e



45 mm Panel-mount Combined Sounder with LED (Light-emitting Diode) Beacon



65 mm Panel-mount Combined Sounder with LED Beacon

a	
Housing Color	
Code	Description
B	Black

b	
Voltage	
Code	Description
12	12V AC/DC
24	24V AC/DC
10	120V AC
20	240V AC

c	
Size	
Code	Description
ME	45 mm
LE	65 mm

d	
Lens Color	
Code	Description
3	Green
4	Red
5	Amber
6	Blue
7	Clear
8	Yellow

e	
Mounting Hole	
Code	Description
22	22.5 mm

### Bulletin 855PS — Panel-mount Strobe

855PS —   B     10     ME     3     22    
                   a      b      c      d      e



30 mm Panel-mount Strobe



45 mm Panel-mount Strobe



65 mm Panel-mount Strobe

a	
Housing Color	
Code	Description
B	Black

b	
Voltage	
Code	Description
12	12V AC/DC
24	24V AC/DC
10	120V AC
20	240V AC
30	12...24V AC/DC

c	
Size	
Code	Description
SE	30 mm <sup>(1)</sup> <sup>(2)</sup>
ME	45 mm <sup>(3)</sup> <sup>(4)</sup>
LE	65 mm <sup>(3)</sup> <sup>(4)</sup>

d	
Lens Color	
Code	Description
3	Green
4	Red
5	Amber
6	Blue
7	Clear
8	Yellow

e	
Mounting Hole	
Code	Description
22	22.5 mm

- (1) 30 mm units are LED type.
- (2) Only available in 12V AC/DC, 24V AC/DC, 120V AC, or 240V AC.
- (3) 45 mm and 65 mm units are Xenon strobe.
- (4) Only available in 12...24V AC/DC, 120V, or 240V AC.

### Bulletin 855PB — Panel-mount Selectable Steady or Flashing LED Beacon

855PB —   B     10     ME     3     22    
                   a      b      c      d      e



30 mm Panel-mount LED Beacon



45 mm Panel-mount LED Beacon



65 mm Panel-mount LED Beacon

a	
Housing Color	
Code	Description
B	Black

b	
Voltage	
Code	Description
12	12V AC/DC
24	24V AC/DC
10	120V AC
20	240V AC

c	
Size	
Code	Description
SE	30 mm
ME	45 mm
LE	65 mm

d	
Lens Color	
Code	Description
3	Green
4	Red
5	Amber
6	Blue
7	Clear
8	Yellow

e	
Mounting Hole	
Code	Description
22	22.5 mm



## Bulletin 855PD — Panel-mount Dual-circuit Alarms

855PD – B 24 ME F 3 4 22  
 a b c d e f g



Half-lens Illumination



Full-lens Illumination



Combined Sounder with LED Beacon

a	
Housing Color	
Code	Description
B	Black

b	
Voltage	
Code	Description
12 <sup>(1)</sup>	12V AC/DC
24	24V AC/DC
10	120V AC
20	240V AC

c	
Size	
Code	Description
SE	30 mm <sup>(2)(3)</sup>
ME	45 mm
LE	65 mm

d	
Function	
Code	Description
F	Two-color, full-lens illumination
H	Two-color, half-lens illumination with barrier
C	Combined sounder with LED beacon <sup>(3)</sup>

- (1) Voltage code 12 is only valid for sounder with LED devices.
- (2) 30 mm available in 24V AC/DC only, for 2-color versions.
- (3) The sounder with LED is not available in the 30 mm size.

e	
LED Color <sup>(1)</sup> /Sound	
Code	Description
1	Sound
3	Green
4	Red
5	Amber
6	Blue
7	Clear
8	Yellow

f	
LED Color <sup>(2)</sup>	
Code	Description
3	Green
4	Red
5	Amber <sup>(3)</sup>
6	Blue
7	Clear
8	Yellow <sup>(3)</sup>

g	
Mounting Hole	
Code	Description
22	22.5 mm

- (1) Voltage code 12 is only valid for sounder with LED devices.
- (2) For two-color devices, the first color code listed in the catalog number corresponds to the same side as the panel tab found on the housing. For example: catalog number 855PD-B24MEH4322 indicates that the red color is on the same side as the panel tab and the green color is on the opposite side as the panel tab.
- (3) The color combination of yellow and amber is not allowed because of their similarity

## Accessories

Description	Cat. No.
22.5...30.5 mm hole adapter kit	855P-AHA1

## Specifications

**Table 1 - Standards and Certifications**

Attribute	Bulletin 855P
Standards Compliance	<ul style="list-style-type: none"> <li>EN/IEC 60947-1</li> <li>EN/IEC 60947-5-1</li> <li>UL 508</li> <li>CSA C22.2 No. 14</li> </ul>
Certifications	<ul style="list-style-type: none"> <li>c-UL-us Listed (File No. E14840, Guides NKCR, NKCR7)</li> <li>CE Marked</li> </ul>

### Panel Sounder and Single-/Dual-circuit Panel Sounder with LED

**Table 2 - Technical**

Attribute	Bulletin 855P	
Housing	Base Material	Polycarbonate, black
	Lens	Polycarbonate, red, amber, yellow, green, blue, and clear
Protection class	UL Type 4/4X/13, IP65	
Terminals	Plug-in terminal block, up to 2.5 mm <sup>2</sup> (14 AWG), IP2X	
Operation temperature range	-25...+60 °C (-13...+140 °F)	
Storage temperature range	-25...+85 °C (-13...+185 °F)	
Mounting	Central mounting for bore holes 22 mm or 30.5 mm with hole adapter kit (catalog number 855P-AHA1)	
Mounting nut torque	1.7 N•m (15 lb•in)	

**Table 3 - Electrical**

Attribute	Sounder			Sounder with Warning Light		
	65 mm	45 mm	30 mm	65 mm	45 mm	
Supply voltage range	12V AC/DC - 50/60 Hz	—	—	±10%	±10%	
	24V AC/DC - 50/60 Hz	—	—	±10%	±10%	
	12...24V AC/DC - 50/60 Hz	8...26V AC/DC	8...26V AC/DC	10...26V AC/DC	—	—
	120V AC - 50/60 Hz	50...140V AC	50...140V AC	80...140V AC	±10%	±10%
	230/240V AC - 50/60 Hz	150...260V AC	150...260V AC	180...260V AC	±10%	±10%
Nominal current — single circuit (dual circuit)	12V AC/DC - 50/60 Hz	—	—	50 mA (62 mA)	35 mA (48 mA)	
	24V AC/DC - 50/60 Hz	57 mA	20 mA	20 mA	73 mA (95 mA)	
	120V AC - 50/60 Hz	40 mA	40 mA	20 mA	60 mA (52 mA)	
	230/240V AC - 50/60 Hz	42 mA	42 mA	20 mA	63 mA (52 mA)	
Turn-on leakage current	≥3 mA	≥3 mA	≥3 mA	≥3 mA	≥3 mA	
Sound level, max (average)	105 dB(A) @ 1 m (3.3 ft)	100 dB(A) @ 1 m (3.3 ft)	SE: 72 dB(A) @ 1 m (3.3 ft) SH: 80 dB(A) @ 1 m (3.3 ft)	103 dB(A) @ 1 m (3.3 ft)	98 dB(A) @ 1 m (3.3 ft)	
Sound level, min	< 85 dB	< 85 dB	—	< 85 dB	< 85 dB	
Sound level adjustment	Stepless	Stepless	—	Stepless	Stepless	
Sound main frequency	3300 Hz	3300 Hz	3500 Hz	3300 Hz	3300 Hz	
Sound types	Continuous	Yes	Yes	Yes	Yes	
	Pulsing <sup>(1)</sup>	Yes	Yes	Yes	Yes	
	Alternating frequency <sup>(1)</sup>	Yes	No	No	Yes	No
Sound selection	Externally by terminal connection					
Weight	65 g (2.3 oz)	35 g (1.2 oz)	25 g (0.9 oz)	85 g (3 oz)	55 g (1.9 oz)	

(1) Single circuit only.

Panel Strobe and Single/Two Color LED Lights

**Table 4 - Technical**

Attribute		Bulletin 855P
Housing	Base Material	Polycarbonate, black
	Lens	Polycarbonate, red, amber, yellow, green, blue, and clear
Protection class		UL Type 4/4X/13, IP2X, IP65
Terminals		Plug-in terminal block, up to 2.5 mm <sup>2</sup> (14 AWG), IP2X fingersafe
Operation temperature range		-25...+60 °C (-13...+140 °F)
Storage temperature range		-25...+85 °C (-13...+185 °F)
Mounting		Central mounting for bore holes 22 mm or 30.5 mm with hole adapter kit (Cat. No. 855P-AHA1)
Mounting nut torque		1.7 N·m (15 lb·in)

**Table 5 - Electrical**

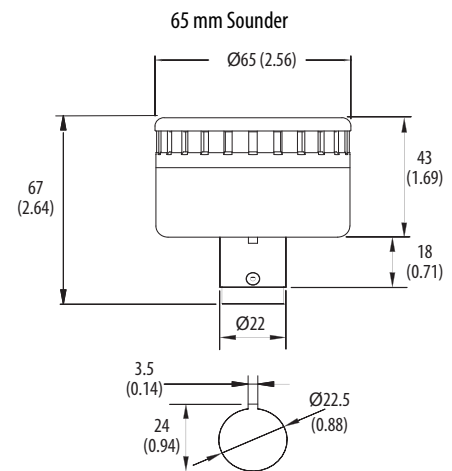
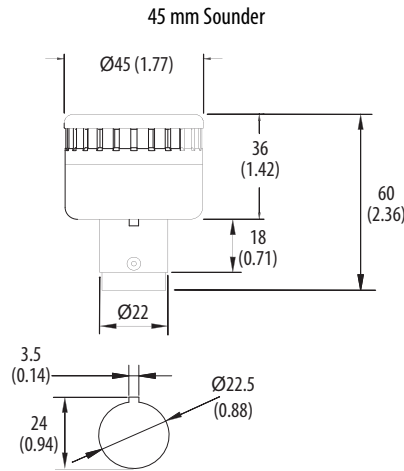
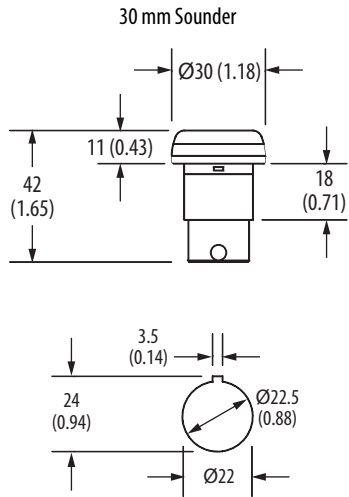
Attribute		LED Beacon — Steady/Flashing			Strobe Light		
		65 mm	45 mm	30 mm	65 mm	45 mm	30 mm
Supply voltage range	12V AC/DC, 50/60 Hz	±10%	±10%	±10%	—	—	±10%
	24V AC/DC, 50/60 Hz	±10%	±10%	±10%	—	—	±10%
	12...24V AC/DC, 50/60 Hz	—	—	—	8...26V AC/DC	8...26V AC/DC	—
	120V AC, 50/60 Hz	±10%	±10%	±10%	±10%	±10%	±10%
	230/240V AC, 50/60 Hz	±10%	±10%	±10%	±10%	±10%	±10%
Nominal current — single circuit (dual circuit)	12V AC/DC, 50/60 Hz	75 mA	60 mA	30 mA	—	—	15 mA
	24V AC/DC, 50/60 Hz	54 mA (full: 71 mA half: 44 mA)	35 mA (full: 46 mA half: 39 mA)	25 mA (full: 28 mA half: 30 mA)	—	—	10 mA
	12...24V AC/DC, 50/60 Hz @ 12V	—	—	—	150 mA	110 mA	—
	12...24V AC/DC, 50/60 Hz @ 24V	—	—	—	140 mA	100 mA	—
	120V AC, 50/60 Hz	25 mA (full: 61 mA half: 41 mA)	25 mA (full: 35 mA half: 35 mA)	20 mA	30 mA	20 mA	10 mA
	230/240V AC, 50/60 Hz	25 mA (full: 61 mA half: 41 mA)	25 mA (full: 35 mA half: 34 mA)	20 mA	20 mA	12 mA	10 mA
Turn-on leakage current		≥3 mA	≥3 mA	≥3 mA	≥3 mA	≥3 mA	≥3 mA
Steady/Flashing light		Externally by terminal connection			—	—	—
Flashing frequency		2 Hz	2 Hz	2 Hz	1.4 Hz (min)	1.4 Hz (min)	1.4 Hz (min)
Light source		LED			Xenon tube		LED
Flash energy		—	—	—	1 J	1.5 J	—
Weight		60 g (2.1 oz)	40 g (1.4 oz)	40 g (1.4 oz)	80 g (2.8 oz)	60 g (2.1 oz)	40 g (1.4 oz)

## Approximate Dimensions

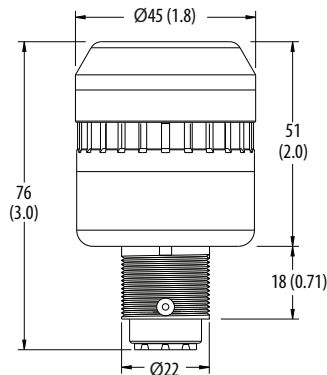
Dimensions in millimeters (inches). Dimensions are not intended to be used for manufacturing purposes.

Terminal connector for 30 mm devices adds 14 mm (0.55 in.) to back-of-panel depth

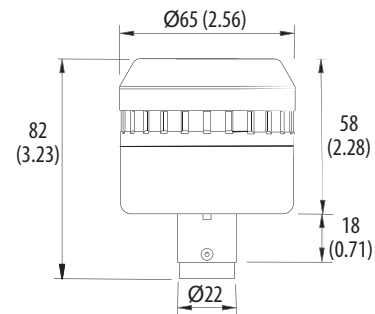
Terminal connector for 45 mm and 65 mm devices adds 9 mm (0.35 in.) to back-of-panel depth



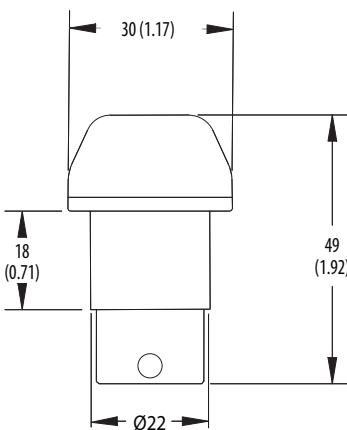
**45 mm Combined Sounder with LED Beacon**



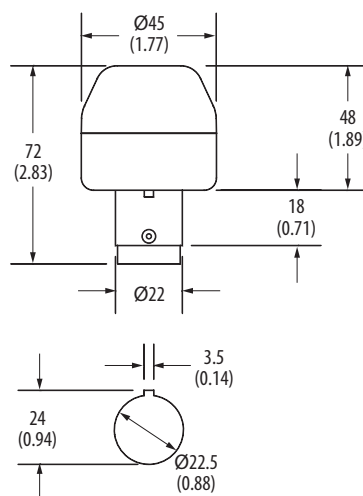
**65 mm Combined Sounder with LED Beacon**



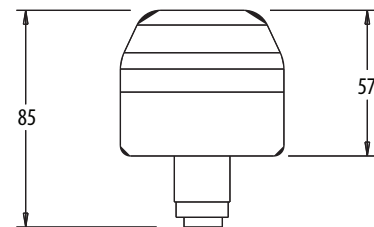
**30 mm LED  
30 mm Strobe**



**45 mm LED  
45 mm Strobe**



**65 mm LED  
65 mm Strobe**



## Bulletin 855L Panel Light Bars

These panel light bars are ideal for OEMs and panel builders who want to reduce the quantity of components without the loss of design reliability or functionality. These devices remove your need for a separate fluorescent lamps purchase. They can be left ON continuously due to low power consumption and minimum heat generation of modern status indicator technology.

### Specifications



Cat. No. 855L-NX1



Cat. No. 855L-NX4

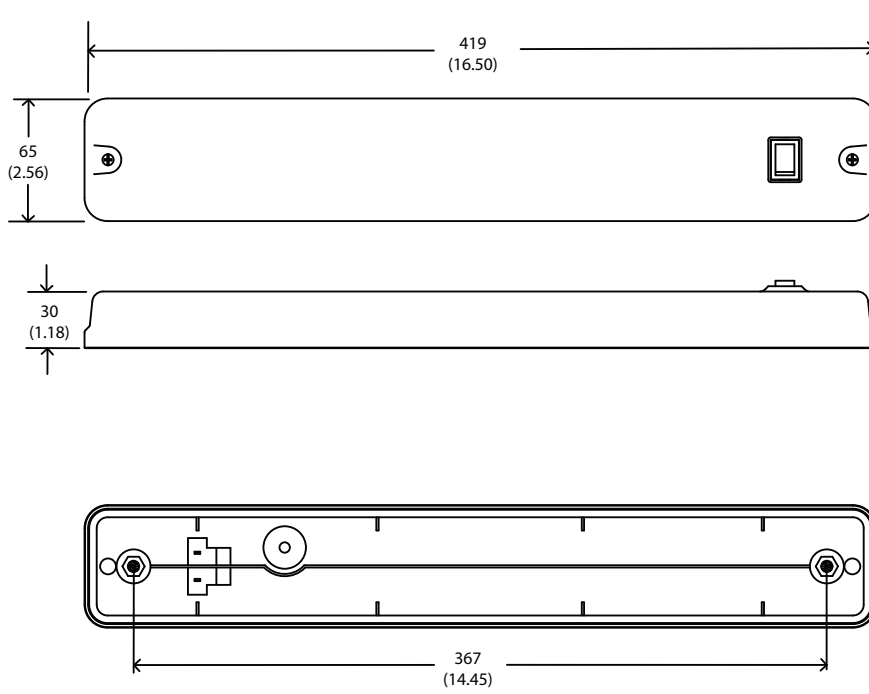
Attribute	855L-NX1 (24...48V with ON/OFF Switch) 855L-NX2 (24...48V - No Switch)	855L-NX3 (110...240V with ON/OFF Switch) 855L-NX4 (110...240V - No Switch)
Nominal Input Voltage	24...48V AC/DC, 50/60 Hz	855L-NX3: 110...240V AC, 50/60 Hz 855L-NX4: 110...240V AC/DC, 50/60 Hz
Input Voltage Limits	17...63V DC 17...53V AC, 50/60 Hz	90...320V DC (855L-NX4 only) 90...250V AC, 50/60 Hz
Nominal Current	~300 mA @ 24V DC / ~150 mA @ 48V DC	<70 mA @ 120V AC / <55 mA @ 240V AC
Inrush Current	1 A @ 24V DC, ~2 A @ 48V DC, 25 °C (77 °F)	~3.5 A @ 120V AC / ~7 A @ 240V AC
Leakage Current Immunity	>8 mA DC	>3 mA AC / ~1 mA DC
Ingress Protection	855L-NX1: NEMA 1, IP40 855L-NX2: NEMA 1, IP44	855L-NX3: NEMA 1, IP40 855L-NX4: NEMA 1, IP44
Operating Temperature Range	-35...+60 °C (-31...+140 °F)	
Storage Temperature Range	-35...+85 °C (-31...+185 °F)	
Wire Size	22...14 AWG (0.5...2.5 mm <sup>2</sup> )	
Light Beam Angle	~70°	
LED Color	White	
Light Output, min	470 lumens	
Lens Material	Polycarbonate (clear)	
Base Material	Polycarbonate (light gray)	
Mounting Orientation	No restrictions	
Mounting Screws (not provided)	2 X 1/4 in. (M5/ M6)	
Weight	380 g (<1 lb)	
LED MTFB	50,000 hr	

**Table 6 - Standards and Certifications**

Attribute	Bulletin 855L
Standards Compliance	<ul style="list-style-type: none"> <li>• EN61000-6-2</li> <li>• EN61000-6-3</li> <li>• EN60947-5-1</li> </ul>
Certifications	<ul style="list-style-type: none"> <li>• CE Marked</li> <li>• c-UL-us File No. E14840</li> </ul>

### Approximate Dimensions

Dimensions in millimeters (inches). Dimensions are not intended to be used for manufacturing purposes.



## Bulletin 855H Industrial Horns

This product line includes general-purpose, high-performance, and recordable electronic horns.

### Bulletin 855H — General-purpose Electronic Horns

These devices produce a sound output of 108 dB (A) maximum, which is suitable for most mid-range industrial and institutional, single-status signaling applications. The enhanced version produces sound output of 113 dB (A) max. Our horns have multi-tone and volume control capabilities. You can retrofit the horns directly into most machine panel cutouts or mount them into traditional 10.2 cm (4 in.) electrical back boxes.



855H -  $\frac{SG}{a}$   $\frac{10}{b}$   $\frac{GPA}{c}$

a	
Mounting Type	
Code	Description
FG	Semi-flush wall plate, gray housing
SG	Surface base with two conduit entrances, gray housing


b	
Voltage	
Code	Description
24	24V AC/DC
10	120V AC
20	240V AC
30	10...30V DC
45	40...260V AC/DC, 50/60 Hz

c	
Horn Type	
Code	Description
GPA <sup>(1)</sup>	General-purpose, 108 dB(A) max, single stage/circuit, three tones
GPE <sup>(2)</sup>	Enhanced version, 113 dB(A) max @ 1 m (3.3 ft), two stage, three tones, volume control

(1) Not valid with voltage codes 30 and 45 (Table b).

(2) Not valid with mounting type FG (Table a) or with voltage codes 24, 10, and 20 (Table b).

### Accessories

	Description	Cat. No.
	M20 hole plug replacement kit <sup>(1)</sup>	855H-AHPK

(1) For use with mounting type SG only.

### Specifications

**Table 7 - Environmental**

Attribute		Value
Ingress Ratings	Semi-flush Mount	UL Type 3R/13, IP54
	Surface Mount	UL Type 4/4X/13/3R, IP66
Temperature Ranges	Operating	-25...+55 °C (-13...+131 °F)
	Storage	-40...+70 °C (-40...+158 °F)

**Table 8 - Materials**

Part	Material
Housings including horn cover and base	Polycarbonate
O-ring	NBR
Gasket (mounting type FG)	EPDM/SBR closed-cell foam

**Table 9 - Performance Ratings**

Attribute	Performance Rating	
Sound Output	Standard (GPA)	105±3 dB(A) @ 1 m (3.3 ft)
	Enhanced (GPE)	110±3 dB(A) @ 1 m (3.3 ft)

**Table 10 - Operating Voltage and Currents**

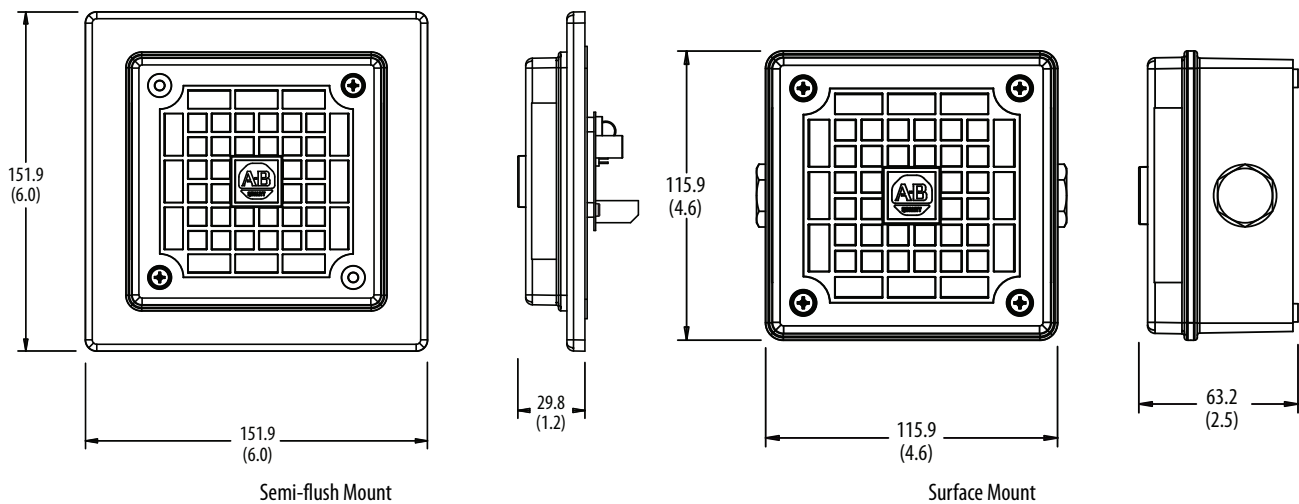
Attribute	Horn Type	DC Voltage	AC Voltage		
			24V AC, 50/60 Hz (±10%)	120V AC, 50/60 Hz (±10%)	240V AC, 50/60 Hz (±10%)
Input Voltage Ranges	Standard (GPA)	24V DC (±25%)	24V AC, 50/60 Hz (±10%)	120V AC, 50/60 Hz (±10%)	240V AC, 50/60 Hz (±10%)
	Enhanced (GPE)	10...30V DC	40...260V AC/DC		
Input Currents @ Nominal Voltage	Standard (GPA)	62 mA	220 mA	40 mA	50 mA
	Enhanced (GPE)	105 mA	—	36 mA	18 mA

**Table 11 - Standards and Certifications**

Attribute	Bulletin 855H — General-purpose Electronic Horns
Standards Compliance	<ul style="list-style-type: none"> <li>• UL 464</li> <li>• CSA C22.2 No. 205</li> <li>• EN/IEC 60947-1</li> <li>• EN/IEC 60947-5-1</li> <li>• EN 6100-6-2</li> <li>• EN 6100-6-3</li> </ul>
Certifications	<ul style="list-style-type: none"> <li>• c-UL-us Listed (File No. S6583, Guides UCST, UCST7)</li> <li>• CE Marked</li> </ul>

*Approximate Dimensions*

Dimensions in millimeters (inches). Dimensions are not intended to be used for manufacturing purposes.





### Bulletin 855H — High-performance Electronic Horns

These devices are available as a standalone electronic horn or with beacon. They are available in plastic or marine-grade aluminum housing.

- 24V DC, 120V AC, and 240V AC
- IP66 enclosure rating
- Square xenon tube illumination available in six colors
- UV-stable plastic enclosure. UL Type 13/3R, IP66 (Frames A, B, D), c-UL-us Type 4/4X/13/3R (Frames C and E)
- Output/Tones:
  - Frame A: 100dB/10 tones (1 or 2 stages)
  - Frame B: 104 dB/32 tones (3 stages)
  - Frame C: 112 dB/32 tones (3 stages)
  - Frame D: 119 dB/45 tones (3 stages)
  - Frame E: 126 dB/45 tones (3 stages)

#### High-performance Electronic Horns

855H —  $\frac{\text{B}}{\text{a}}$   $\frac{\text{D30}}{\text{b}}$   $\frac{\text{B}}{\text{c}}$   $\frac{\text{D}}{\text{d}}$



Range "A" Industrial Horn



Range "C" Industrial Horn



Range "E" Industrial Horn

a	
Product Type	
Code	Description
B	Industrial horn, gray housing

b	
Voltage	
Code	Description
D30	10...30V DC
A24	24V AC, 50/60 Hz
A10	115V AC, 50/60 Hz
A20	230V AC, 50/60 Hz

c	
Horn Type	
Code	Description
A	100 dB, 10 tone, 2-stage (DC)
	100 dB, 10 tone, 1-stage (AC)
B	104 dB, 32 tone, 3-stage (DC)
	104 dB, 32 tone, 3-stage (AC)
C	112 dB, 32 tone, 3-stage (DC)
	112 dB, 32 tone, 3-stage (AC)
D	119 dB, 45 tone, 3-stage (DC)
	119 dB, 45 tone, 3-stage (AC)
E	126 dB, 45 tone, 3-stage (DC)
	126 dB, 45 tone, 3-stage (AC)

d	
Mount Option	
Code	Description
D	Standard base for surface or on-the-wall mounting with conduit openings and hole plugs

High-performance Electronic Horns with Attached Strobe Beacons

855H –  $\frac{BC}{a}$   $\frac{D12}{b}$   $\frac{E}{c}$   $\frac{D}{d}$   $\frac{R}{e}$   $\frac{3}{f}$



Range "A" Horn with Beacon



Range "C" Horn with Beacon



Range "E" Horn with Beacon

a	
Product Type	
Code	Description
BC	Electronic horn with Xenon strobe beacon, gray housing

b	
Voltage	
Code	Description
D12	12V DC
D24	24V DC
A24	24V AC, 50/60 Hz
A10	115V AC, 50/60 Hz
A20	230V AC, 50/60 Hz

c	
Horn Type	
Code	Description
A	100 dB, 10 tone, 2-stage (DC)
	100 dB, 10 tone, 1-stage (AC)
B	104 dB, 32 tone, 3-stage (DC)
	104 dB, 32 tone, 3-stage (AC)
C	112 dB, 32 tone, 3-stage (DC)
	112 dB, 32 tone, 3-stage (AC)
D	119 dB, 45 tone, 3-stage (DC)
	119 dB, 45 tone, 3-stage (AC)
E	126 dB, 45 tone, 3-stage (DC)
	126 dB, 45 tone, 3-stage (AC)

d	
Mount Option	
Code	Description
D	Standard base for surface or on-the-wall mounting with conduit openings and hole plugs

e	
Illuminated Function	
Code	Description
R	5 J strobe

f	
Lens Color	
Code	Description
3	Green
4	Red
5	Amber
6	Blue
7	Clear
8	Yellow

Accessories

	Description	Cat. No.	
	M20 hole plug replacement kit	855H-AHPK	
	Gasket Set Replacement Kit	Range A, B, and Beacon Light	855H-AGKBAB
		Range C Horn	855H-AGKC
		Range D Horn	855H-AGKD
		Range E Horn	855H-AGKE
	Replacement Beacon Light Lens	Red	855B-ABLR
		Green	855B-ABLG
		Amber	855B-ABLA
		Blue	855B-ABLB
		Clear	855B-ABLC
		Yellow	855B-ABLY

Specifications

**Table 12 - Mechanical**

Device	The following are reference guidelines for maximum shock and vibration standards for the 855H horn.	
	Shock	Vibration
Range A Horn	15 G Peak	3 G Peak
Range B Horn	15 G Peak	3 G Peak
Range C Horn	15 G Peak	3 G Peak
Range D Horn	15 G Peak	3 G Peak
Range E Horn	15 G Peak	1 G Peak
Range A Horn with Strobe Beacon	15 G Peak	3 G Peak
Range B Horn with Strobe Beacon	15 G Peak	3 G Peak
Range C Horn with Strobe Beacon	15 G Peak	3 G Peak
Range D Horn with Strobe Beacon	15 G Peak	3 G Peak
Range E Horn with Strobe Beacon	15 G Peak	1 G Peak

**Table 13 - Environmental**

Attribute	Device	Value
Ingress Ratings	Electronic Horns	Range A, B, and D: UL Type 13/3R, IP66 Range C and E: UL Type 4/4X/13/3R, IP66
	Horn with Beacon	Range A, B, and D: UL Type 13/3R, IP66 Range C and E: UL Type 4/4X/13/3R, IP66
Temperature Ranges	Operating	-25...+55 °C (-13...+131 °F)
	Storage	-40...+75 °C (-40...+167 °F)

**Table 14 - Materials**

Part	Material
Horn Cover and Base	ABS
Beacon Housing	Polycarbonate
Beacon Lens	Polycarbonate
Gasket (Cover to Base)	Nitrile 70
Gasket (Enclosure back to wall)	Nitrile 70
Gasket (Horn to Beacon)	Nitrile 70
Gasket (Screw Mounting Hole)	Fiber

**Table 15 - Performance Ratings**

Attribute	Device	Performance Rating
Sound Output	Range A Horn	100 dB max @ 1 m (3.3 ft)
	Range B Horn	104 dB max @ 1 m (3.3 ft)
	Range C Horn	112 dB max @ 1 m (3.3 ft)
	Range D Horn	119 dB max @ 1 m (3.3 ft)
	Range E Horn	126 dB max @ 1 m (3.3 ft)
Xenon Lamp Rating	Strobe Beacon	5 J output

**Table 16 - Operating Voltage**

Device	DC Voltage		AC Voltage		
	Range A	Range B	Range C	Range D	Range E
All Horns	10...30V DC	10...30V DC	24V AC, 50/60 Hz (±10%)	115V AC, 50/60 Hz (±10%)	230V AC, 50/60 Hz (±10%)
All Horns with Strobe Beacon	12V DC ±10%	24V DC ±10%			

**Table 17 - Current Consumption [mA]**

Attribute		Range A	Range B	Range C	Range D	Range E
Horns	10...30V DC	25	25	25	200	950
	24V AC, 50/60 Hz	40	40	40	500	1000
	115V AC, 50/60 Hz	13	20	20	100	240
	240V AC, 50/60 Hz	13	15	15	60	120
Horns with Strobe Beacon	12V DC	525	525	525	700	1450
	24V DC	275	275	275	450	1200
	24V AC	405	405	405	865	1200
	115V AC	113	120	120	200	340
	240V AC	63	65	65	110	170

**Table 18 - Flashing Frequency**

Attribute	Range A	Range B	Range C	Range D	Range E
Strobe Beacon	1 Hz				

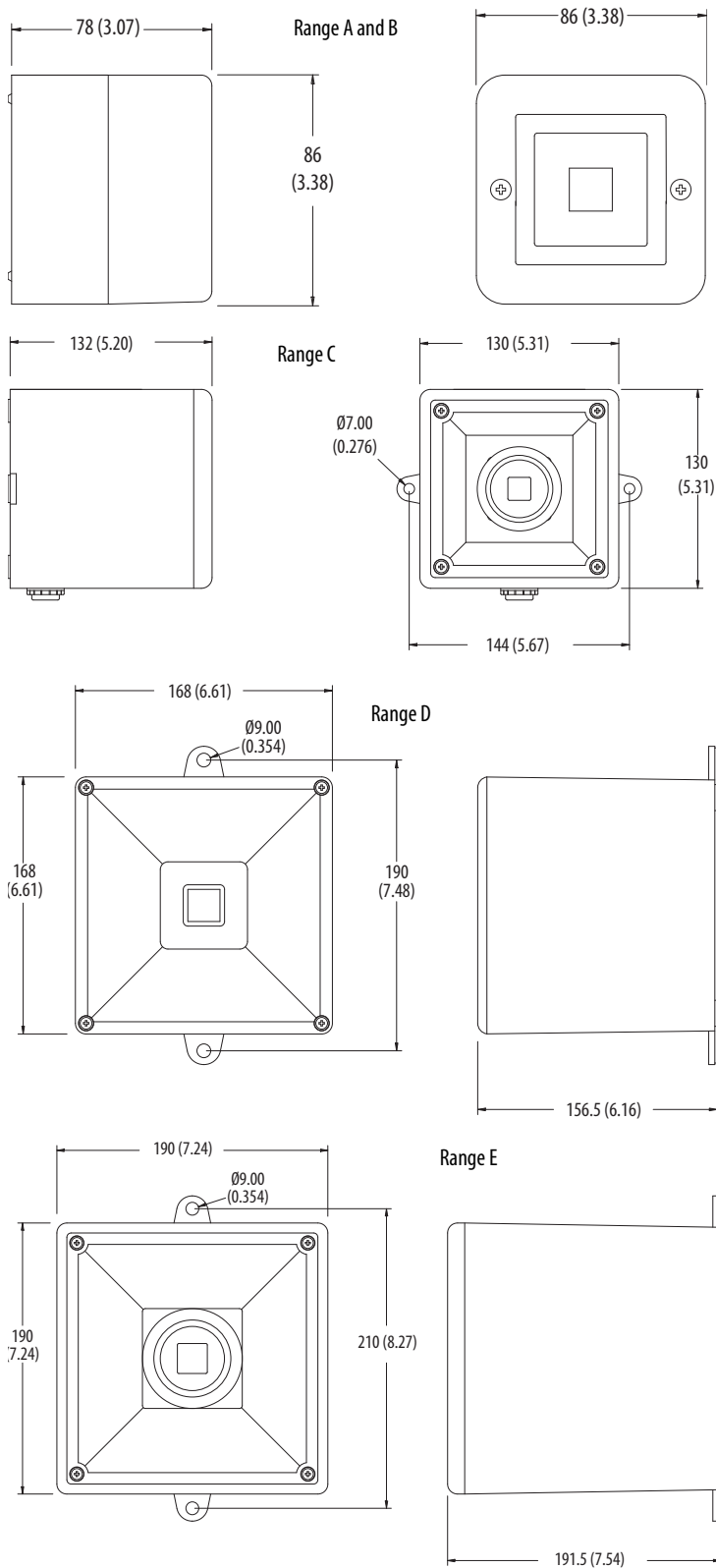
**Table 19 - Standards and Certifications**

Attribute	Bulletin 855H — High-performance Electronic Horns
Standards Compliance	<ul style="list-style-type: none"> <li>• UL 464</li> <li>• CSA C22.2 No. 205</li> <li>• EN/IEC 60947-1</li> <li>• EN/IEC 60947-5-1</li> <li>• EN 6100-6-2</li> <li>• EN 6100-6-4</li> </ul>
Certifications	<ul style="list-style-type: none"> <li>• c-UL-us Listed (File No. S6583, Guides UCST, UCST7)</li> <li>• CE Marked</li> </ul>

*Approximate Dimensions*

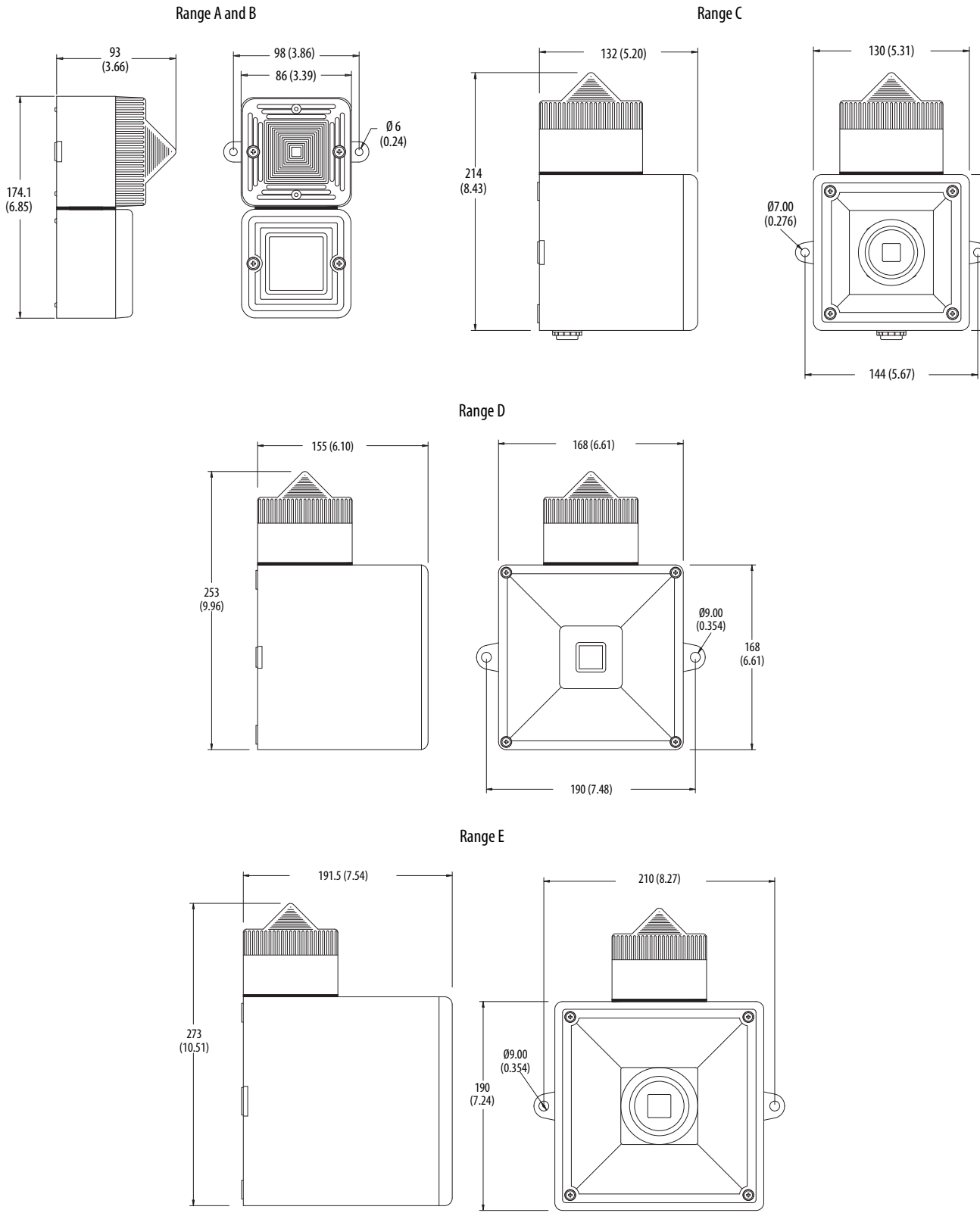
Dimensions in millimeters (inches). Dimensions are not intended to be used for manufacturing purposes.

**Figure 1 - Horns**



Dimensions in millimeters (inches). Dimensions are not intended to be used for manufacturing purposes.

**Figure 2 - Horns with Beacons**



## Bulletin 855H — Recordable Electronic Horns

These devices are available as a standalone electronic horn or with a beacon. You can download melodies or customized tones from any analog device (such as a personal computer or MP3 player). You can also record voice by speaking directly into the unit via an onboard microphone; you do not need to purchase additional recording hardware or equipment.



Frame C (DC)



Frame C (AC)



Frame E (All Versions)



Flare Style (All Versions)

855H –  $\frac{R}{a}$   $\frac{30}{b}$   $\frac{C}{c}$

a	
Product Type	
Code	Description
R	Recordable horn

b	
Voltage <sup>(1)</sup>	
Code	Description
30	10...30V DC
45	90...260V AC, 50/60 Hz

c	
Frame Size	
Code	Description
C	Frame C, 101 dB (A) voice, 110 dB (A) tone at 1 m (3.3 ft), 45 tones, gray housing
E	Frame E, 111 dB (A) voice, 126 dB (A) tone at 1 m (3.3 ft), 45 tones, gray housing
F	Flare style, 111 dB (A) voice, 126 dB (A) tone at 1 m (3.3 ft), 45 tones, gray housing

(1) Frame C is 10...30V DC; Frame E and Flare are 14...30V DC

### Recordable Electronic Horns with Attached LED Beacons



Frame C Horn with Beacon (DC)



Frame C Horn with Beacon (AC)



Frame E Horn with Beacon (All Versions)

855H –  $\frac{RC}{a}$   $\frac{30}{b}$   $\frac{C}{c}$   $\frac{3}{d}$

a	
Product Type <sup>(1)</sup>	
Code	Description
RC	Recordable horn with LED beacon, gray housing

b	
Voltage <sup>(2)</sup>	
Code	Description
30	12...30V DC
45	90...260V AC, 50/60 Hz

c	
Horn Type	
Code	Description
C	Frame C, 101 db(A) voice, 110 dB(A) tone at 1 m (3.3 ft), 45 selectable tones, 4 stages
E	Frame E, 111 db(A) voice, 126 dB(A) tone at 1 m (3.3 ft), 45 selectable tones, 4 stages

d	
LED Color	
Code	Description
3	Green
4	Red
5	Amber

(1) LED beacon steady or flashing selectable/

(2) Frame C is 12...30V DC; Frame E is 14...30V DC

Specifications

**Table 20 - Mechanical**

Device	The following are reference guidelines for maximum shock and vibration standards for the 855H horn.	
	Shock	Vibration
Frame C Horn	15 G Peak	3 G Peak
Frame E Horn	15 G Peak	1 G Peak
Flare Style	15 G Peak	1 G Peak
Frame C Horn with LED Beacon	15 G Peak	3 G Peak
Frame E Horn with LED Beacon	15 G Peak	1 G Peak

**Table 21 - Environmental**

Attribute	Device	Value
Ingress Ratings	Electronic Horns	Frame C & E: UL Type 3R, 4/4X, 13, IP66
	Horn with Beacon	Flare: UL Type 3R, 4/4X, 13, IP66/IP67
Temperature Ranges	Operating	-25...+55 °C (-13...+131 °F)
	Storage	-40...+70 °C (-40...+158 °F)

**Table 22 - Materials**

Part	Material
Horn Cover and Base	ABS
Beacon Housing	Polycarbonate
Beacon Lens	Polycarbonate
Gasket (Cover to Base)	Nitrile 70
Gasket (Enclosure Back to Wall)	Closed-cell neoprene foam
Gasket (Horn to Beacon)	Closed-cell neoprene foam
Gasket (Screw Mounting Hole)	Fiber

**Table 23 - Performance Ratings**

Attribute	Device	Performance Rating
Sound Output	Frame C Horn	110 dB(A) tone, 103 dB(A) music, 101 dB(A) voice @ 1 m (3.3 ft)
	Frame E Horn	126 dB(A) tone, 112 dB(A) music, 111 dB(A) voice @ 1 m (3.3 ft)
	Flare Style	

**Table 24 - Operating Voltage**

Device	DC Voltage	AC Voltage
All Horns	Frame C: 10...30V DC Frame E and Flare: 14...30V DC	90...260V AC, 50/60 Hz
All Horns with LED Beacon	Frame C: 12...30V DC Frame E: 14...30V DC	

**Table 25 - Maximum Current Consumption**

Attribute	Frame C	Frame E	Flare Style
Horns	24V DC	256 mA	1.51 A
	120V AC, 50/60 Hz	112 mA	542 mA
	230V AC, 50/60 Hz	124 mA	517 mA
Horns with LED Beacon	24V DC	413 mA	—
	120V AC, 50/60 Hz	172 mA	—
	230V AC, 50/60 Hz	159 mA	—



**Table 26 - Flashing Frequency**

Attribute		Frame C	Frame E	Flare Style
LED Beacon			2 Hz	
LED Light Output	Red		66 cd	
	Amber		78 cd	
	Green		129 cd	

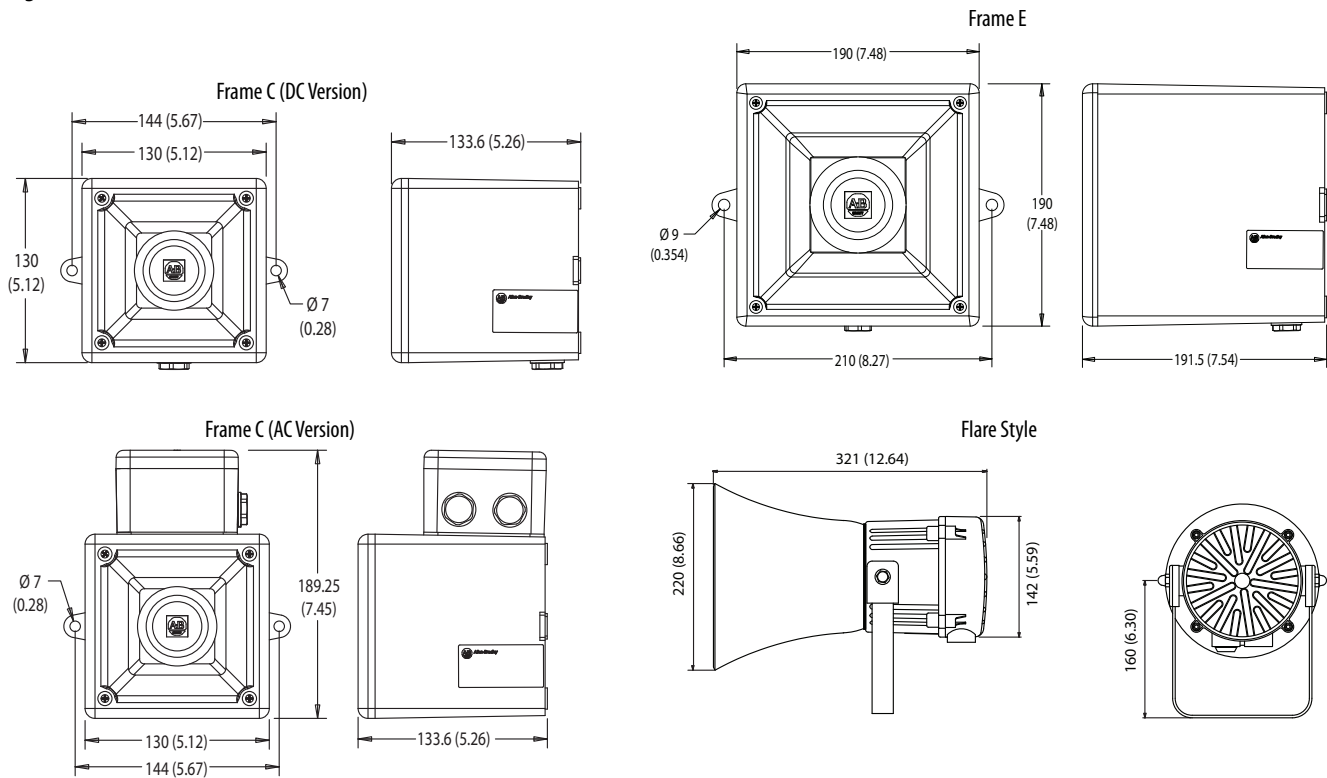
**Table 27 - Standards and Certifications**

Attribute	Bulletin 855H — Recordable Electronic Horns
Standards Compliance	<ul style="list-style-type: none"> <li>• UL 464</li> <li>• CSA C22.2 No. 205</li> <li>• EN 60065</li> <li>• EN 6100-6-1</li> <li>• EN 6100-6-2</li> <li>• EN 6100-6-3</li> <li>• EN 6100-6-4</li> </ul>
Certifications	<ul style="list-style-type: none"> <li>• c-UL-us Listed (File No. S6583, Guides UCST, UCST7)</li> <li>• CE Marked</li> </ul>

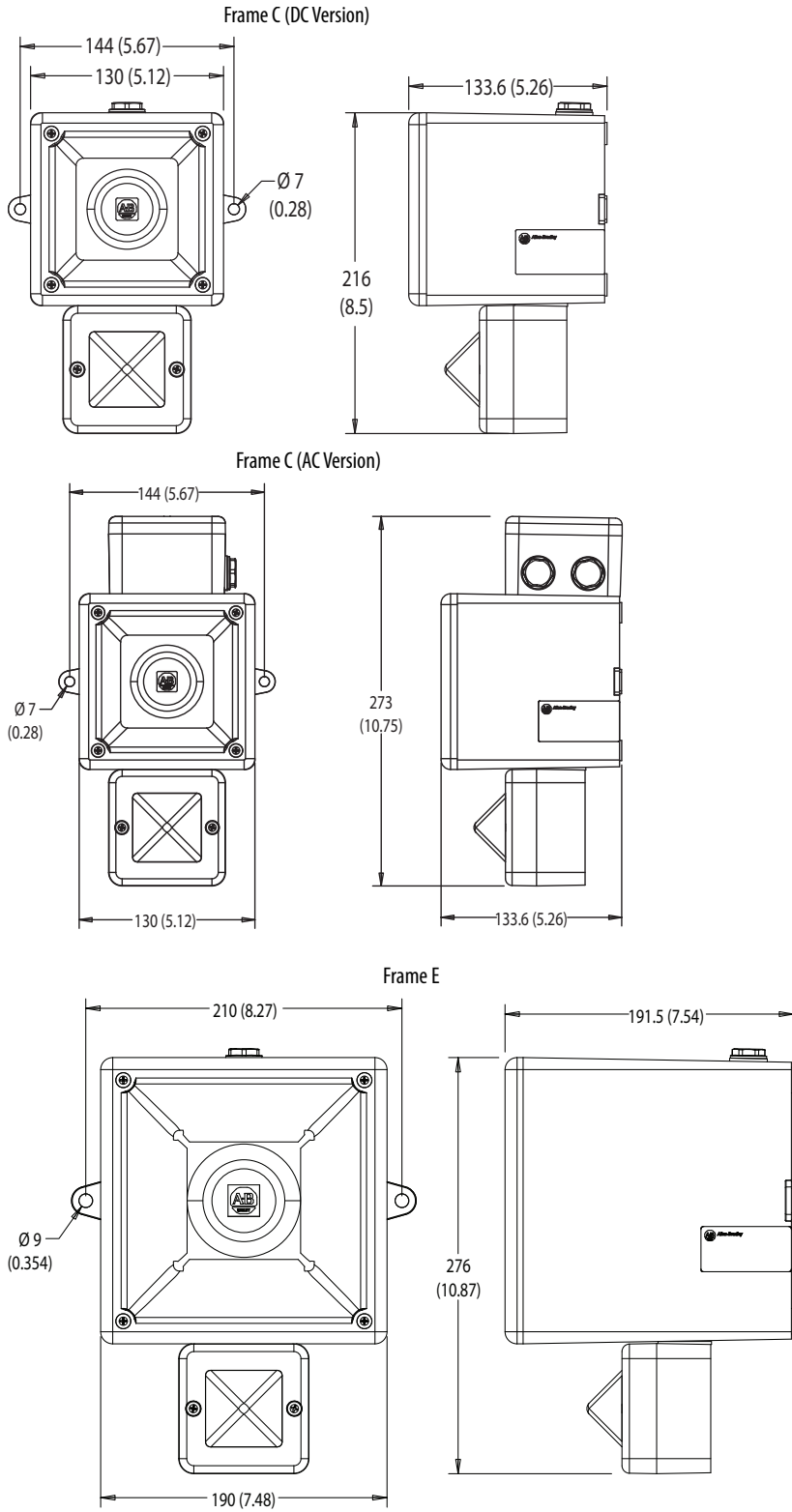
*Approximate Dimensions*

Dimensions in millimeters (inches). Dimensions are not intended to be used for manufacturing purposes.

**Figure 3 - Recordable Horns**




**Figure 4 - Recordable Horns with LED Beacon**





Accessories

	Description	Cat. No.
	M20 hole plug replacement kit	855H-AHPK

Specifications

Table 28 - Mechanical

Device	The following are reference guidelines for maximum shock and vibration standards for the 855XM horn.	
	Shock [G]	Vibration [G]
Metal horn	40	3
Metal horn with LED beacon	30	3

Table 29 - Environmental

Attribute	Device	Value
Ingress rating	Electronic horn	UL Type 4/4X/13/3R, IP66
	Horn with beacon	UL Type 4/4X/13/3R, IP66
Temperature range	Operating	-25...+55 °C (-13...+131 °F)
	Storage	-40...+70 °C (-40...+158 °F)

Table 30 - Materials

Part	Material
Housing	Marine-grade aluminum Al Si 12 Cu (phosphated and powder-coated)
Screws	Stainless steel
Beacon lens	Clear polycarbonate over glass
Lens cage	Stainless steel
Gasket (Cover to Base)	O-ring nitrile UL
Gasket (Screw Mounting Hole)	Fiber washer

Table 31 - Performance Ratings

Device	Sound Output @ 1 m (3.3 ft)	Volume Control	No. of Tones	Stages
Metal Horn	119 dB max	Adjustable -12 dB	45	3
	<b>LED Output [cd]</b>			
Red LED Beacon			66	
Amber LED Beacon			78	
Green LED Beacon			176	
Blue LED Beacon			45	
Clear LED Beacon			120	

**Table 32 - Operating Voltage**

Device	DC Voltage	AC Voltage
Horn	10...30V DC	115V AC 50/60 Hz (±10%) 230V AC 50/60 Hz (±10%)
Horn with Beacon	12...30V DC	115V AC 50/60 Hz (±10%) 230V AC 50/60 Hz (±10%)

**Table 33 - Current Consumption**

Device	Voltage	Current Consumption
Horns	10...30V DC	270 mA max. @ 30V 200 mA @ 24V 100 mA @ 12V
	115V AC 50/60 Hz	100 mA
	230V AC 50/60 Hz	60 mA
Horns with LED beacon	12...30V DC	436 mA max. @ 30V 357 mA @ 24V 220 mA @ 12V
	115V AC	160 mA
	230V AC	95 mA

**Table 34 - Flashing Frequency**

Device	Frequency
LED beacon	Steady or 2 Hz

**Table 35 - Standards and Certifications**

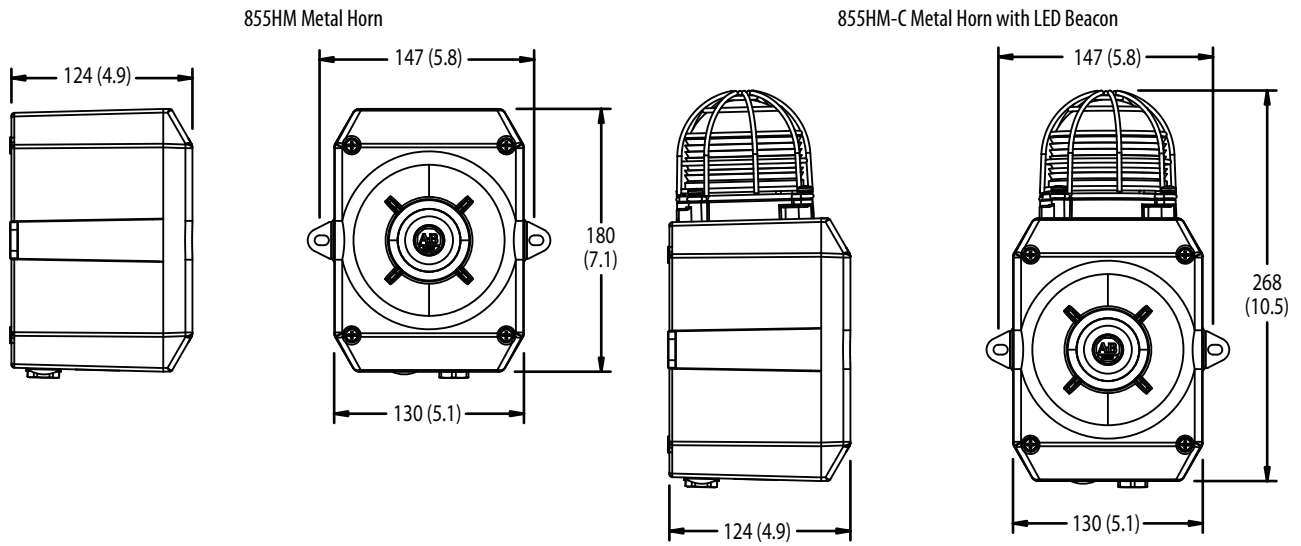
Attribute	Bulletin 855HM — High-performance Electronic Metal Horns
Standards Compliance	<ul style="list-style-type: none"> <li>• CSA C22.2 No. 205</li> <li>• EN/IEC 60947-1</li> <li>• EN/IEC 60947-5-1</li> <li>• EN 61000-6-2</li> <li>• EN 61000-6-4</li> <li>• UL 464</li> <li>• UL 1638</li> </ul>
Certifications	<ul style="list-style-type: none"> <li>• CE Marked</li> <li>• c-UL-us Listed (File No. E197159 and S6583, Guides UCST, UCST7)</li> </ul>

Tone Table

Tone Selection								
STAGE 1	FREQUENCY DESCRIPTION		Switch				Stage 2	Stage 3
Tone 1	340 Hz Continuous						Tone 2	Tone 5
Tone 2	800/1000Hz @ 0.25 sec Alternating		■				Tone 17	Tone 5
Tone 3	500/1200Hz @ 0.3Hz 0.5 sec Slow Whoop		■	■			Tone 2	Tone 5
Tone 4	800/1000Hz @ 1Hz Sweeping		■	■			Tone 6	Tone 5
Tone 5	2400Hz Continuous				■		Tone 3	Tone 20
Tone 6	2400/2900Hz @ 7Hz Sweeping		■		■		Tone 7	Tone 5
Tone 7	2400/2900Hz @ 1Hz Sweeping			■	■		Tone 10	Tone 5
Tone 8	500/1200/500Hz @ 0.3Hz Sweeping		■	■	■		Tone 2	Tone 5
Tone 9	1200/500Hz @ 1Hz - DIN / PFEER P.T.A.P.					■	Tone 15	Tone 2
Tone 10	2400/2900Hz @ 2Hz Alternating		■			■	Tone 7	Tone 5
Tone 11	1000Hz @ 1Hz Intermittent			■		■	Tone 2	Tone 5
Tone 12	800/1000Hz @ 0.875Hz Alternating		■	■		■	Tone 4	Tone 5
Tone 13	2400Hz @ 1Hz Intermittent				■	■	Tone 15	Tone 5
Tone 14	800Hz 0.25sec on, 1 sec off Intermittent		■		■	■	Tone 4	Tone 5
Tone 15	800Hz Continuous			■	■	■	Tone 2	Tone 5
Tone 16	660Hz 150mS on, 150mS off Intermittent		■	■	■	■	Tone 18	Tone 5
Tone 17	544Hz (100mS)/440Hz (400mS) - NF S 32-001					■	Tone 2	Tone 27
Tone 18	660Hz 1.8sec on, 1.8sec off Intermittent		■			■	Tone 2	Tone 5
Tone 19	1.4KHz-1.6KHz 1s, 1.6KHz-1.4KHz 0.5s -NFC48-265			■		■	Tone 2	Tone 5
Tone 20	660Hz Continuous		■	■		■	Tone 2	Tone 5
Tone 21	554Hz/440Hz @ 1Hz Alternating				■	■	Tone 2	Tone 5
Tone 22	544Hz @ 0.875 sec. Intermittent		■		■	■	Tone 2	Tone 5
Tone 23	800Hz @ 2Hz Intermittent			■		■	Tone 6	Tone 5
Tone 24	800/1000Hz @ 50Hz Sweeping		■	■	■		Tone 29	Tone 5
Tone 25	2400/2900Hz @ 50Hz Sweeping				■	■	Tone 29	Tone 5
Tone 26	Bell		■		■	■	Tone 2	Tone 15
Tone 27	554Hz Continuous			■	■	■	Tone 26	Tone 5
Tone 28	440Hz Continuous		■	■		■	Tone 2	Tone 5
Tone 29	800/1000Hz @ 7Hz Sweeping				■	■	Tone 7	Tone 5
Tone 30	300Hz Continuous		■		■	■	Tone 2	Tone 5
Tone 31	660/1200Hz @ 1Hz Sweeping			■	■	■	Tone 26	Tone 5
Tone 32	Two tone chime.		■	■	■	■	Tone 26	Tone 15
Tone 33	745Hz @ 1Hz Intermittent					■	Tone 2	Tone 5
Tone 34	1000 & 2000Hz @ 0.5 sec Alternating - Singapore		■			■	Tone 38	Tone 45
Tone 35	420Hz @ 0.625 sec Australian Alert			■		■	Tone 36	Tone 5
Tone 36	500-1200Hz 3.75sec /0.25sec. Australian Evac.		■	■		■	Tone 35	Tone 5
Tone 37	1000Hz Continuous - PFEER Toxic Gas				■	■	Tone 9	Tone 45
Tone 38	2000Hz Continuous		■		■		Tone 34	Tone 45
Tone 39	800Hz 0.25sec on, 1 sec off Intermittent			■	■	■	Tone 23	Tone 17
Tone 40	544Hz (100mS)/440Hz (400mS) - NF S 32-001		■	■	■		Tone 31	Tone 27
Tone 41	Motor Siren - slow rise to 1200 Hz				■	■	Tone 2	Tone 5
Tone 42	Motor Siren - slow rise to 800 Hz		■		■	■	Tone 2	Tone 5
Tone 43	1200 Hz Continuous			■	■	■	Tone 2	Tone 5
Tone 44	Motor Siren - slow rise to 2400 Hz		■	■		■	Tone 2	Tone 5
Tone 45	1KHz 1s on, 1s off Intermittent - PFEER Gen. Alarm				■	■	Tone 38	Tone 34

*Approximate Dimensions*

Dimensions in millimeters (inches). Dimensions are not intended to be used for manufacturing purposes.



**Notes:**



## Bulletin 855B Industrial Beacons

This product line includes mini square and round beacons.

### Bulletin 855B — Mini Square Beacons

Mini square 5 J strobe beacons are for general signaling applications. Bases accept conduit connections in the side and back of enclosure.



Mini Square Strobe Beacon

855B -   G     MS     12     R     3    
           a      b      c      d      e

a	
Housing Color	
Code	Description
G	Gray

b	
Beacon Type	
Code	Description
MS	Mini square beacon

c	
Voltage	
Code	Description
24	24V AC/DC
10	115V AC, 50/60 Hz
20	230V AC, 50/60 Hz

d	
Illumination Type	
Code	Description
R	5 J strobe

e	
Lens Color	
Code	Description
3	Green
4	Red
5	Amber
6	Blue
7	Clear
8	Yellow

### Accessories

	Description	Color	Cat. No.
	Replacement Beacon Light Lens	Red	855B-ABLR
		Green	855B-ABLG
		Amber	855B-ABLA
		Blue	855B-ABLB
		Clear	855B-ABLC
		Yellow	855B-ABLY

Specifications

**Table 36 - Mechanical**

Device	The following are reference guidelines for maximum shock and vibration standards for the 855B beacon lights.	
	Shock	Vibration
All strobe beacons	50 G Peak	5 G Peak

**Table 37 - Environmental**

Attribute	Value
Ingress Ratings	UL Type 4/4X/13/3R, IP66
Operating Temperature Ranges	-25...+55 °C (-12...+131 °F)

**Table 38 - Materials**

Part	Material
Housing and Lens	Polycarbonate
Gasket	Nitrile 70

**Table 39 - Performance Ratings**

Attribute	Device	Performance Rating
Xenon Lamp Rating	All Strobe Beacons	5 J

**Table 40 - Operating Voltage**

Device	Operating Voltage		
All Strobe Beacons	24V AC/DC, 50/60 Hz (±20%)	120V AC, 50/60 Hz (±10%)	230V AC, 50/60 Hz (±10%)

**Table 41 - Current Consumption**

Device	Current Consumption [mA]	
All Strobe Beacons	24V AC/DC	365/250
	120V AC	100
	230V AC	50

**Table 42 - Flashing Frequency**

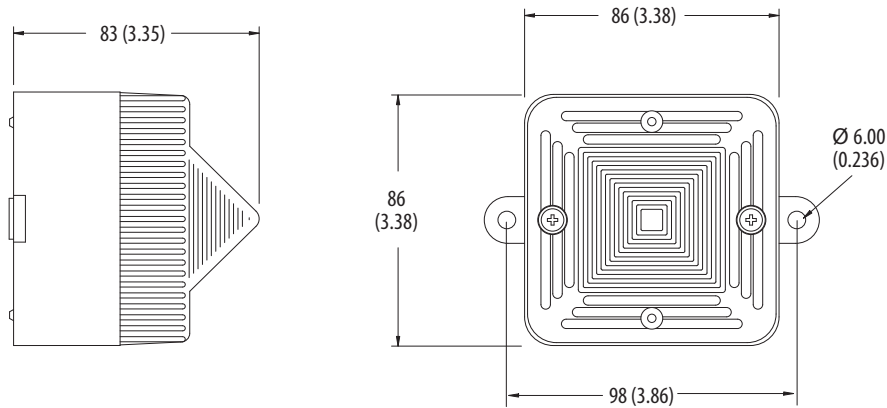
Device	Flashing Frequency
Strobe Beacon	1 Hz

**Table 43 - Standards and Certifications**

Attribute	Bulletin 855B — Mini Square Beacons
Standards Compliance	<ul style="list-style-type: none"> <li>• UL 464</li> <li>• UL 1638</li> <li>• CSA C22.2 No. 205</li> <li>• EN/IEC 60947-1</li> <li>• EN/IEC 60947-5-1</li> <li>• EN 6100-6-2</li> <li>• EN 6100-6-4</li> <li>• CAN/ULLC-S526-M87</li> </ul>
Certifications	<ul style="list-style-type: none"> <li>• c-UL-us Listed (File No. E197159, Guides UUES, UEES7)</li> <li>• CE Marked</li> </ul>

*Approximate Dimensions*

Dimensions in millimeters (inches). Dimensions are not intended to be used for manufacturing purposes.



**Bulletin 855B — Industrial Round Beacons**

These devices are available in three diameters: 90 mm (Bul. 855BS), 120 mm (Bul. 855BM), and 160 mm (Bul. 855BL).

All sizes are available in steady halogen, flashing halogen, strobe, and rotating halogen versions for flexibility in your applications. You can select from a wide range of mounting options, voltages, and colors.



**Bulletin 855BS — 90 mm Beacons**

855BS - S 10 RH 3  
 a b c d

a	
Base Type	
Code	Description
S	Surface mount <sup>(1)</sup>
N	1/2 in. NPT conduit mount
T	25 mm tube mount <sup>(2)</sup>

b	
Voltage	
Code	Description
12	12V AC/DC
24	24V AC/DC
10	120V AC
20	240V AC
35	24/48V AC/DC
45	120/240V AC/DC

c	
Function	
Code	Description
DH	Steady halogen
FH	Flashing halogen
RH	Rotating halogen
BR	Xenon tube strobe <sup>(3)</sup>
SL	Single-color LED selectable steady/flash <sup>(4)</sup>
ML	Three-color LED <sup>(5) (6)</sup>
BL	LED strobe selectable single/double flash <sup>(7)</sup>

d	
Lens Color	
Code	Description
345	Green, red, amber <sup>(6)</sup>
3	Green
4	Red
5	Amber
6	Blue
7	Clear
8	Yellow

- (1) Surface mount base must be installed with rough wall plate for UL Type 4/4X/13 rating, otherwise UL Type 1 only.
- (2) 25 mm tube mount is UL Recognized. Other mounting types are UL Listed.
- (3) Not available in 12V AC/DC.
- (4) SL function uses 35 (16...60V AC/16...80V DC) and 45 (90...250V AC/DC) voltage codes only
- (5) ML function uses 24, 10, and 20 voltage codes only.
- (6) Green, red, amber color combination is only valid for the three-color LED selection (ML).
- (7) BL function uses 35 (19...52V AC/16...60V DC), 10, and 20 voltage codes only.

**Bulletin 855BM — 120 mm Beacons**

855BM —  $\frac{S}{a}$   $\frac{10}{b}$   $\frac{FH}{c}$   $\frac{4}{d}$

a	
Base Type	
Code	Description
S	Surface mount <sup>(1)</sup>
N	1/2 in. NPT conduit mount
T	25 mm tube mount

b	
Voltage	
Code	Description
12	12V AC/DC
24	24V AC/DC
10	120V AC
20	240V AC

c	
Function	
Code	Description
DH	Steady halogen
FH	Flashing halogen
RH	Rotating halogen
BR	Xenon tube strobe <sup>(2)</sup>

d	
Lens Color	
Code	Description
3	Green
4	Red
5	Amber
6	Blue
7	Clear
8	Yellow

- (1) When used outdoors, surface mount base must be installed with rough wall plate for UL Type 4/4X/13 rating, otherwise UL Type 1 only.
- (2) Not available in 12V AC/DC.

**Bulletin 855BL — 160 mm Beacons**

855BL —  $\frac{N}{a}$   $\frac{24}{b}$   $\frac{DH}{c}$   $\frac{5}{d}$

a	
Base Type	
Code	Description
S	Surface mount <sup>(1)</sup>
N	1/2 in. NPT conduit mount
T	25 mm tube mount

b	
Voltage	
Code	Description
12	12V AC/DC
24	24V AC/DC
10	120V AC
20	240V AC

c	
Function	
Code	Description
DH	Steady halogen
FH	Flashing halogen
RH	Rotating halogen
BR	Xenon tube strobe <sup>(2)</sup>

d	
Lens Color	
Code	Description
3	Green
4	Red
5	Amber
6	Blue
7	Clear
8	Yellow

- (1) When used outdoors surface mount base must be installed with rough wall plate for UL Type 4/4X/13 rating, otherwise UL Type 1 only.
- (2) Not available in 12V AC/DC.

Accessories

Lamps

855B      M      -      LH        10    
           a                    b                    c

a	
Size	
Code	Description
S	90 mm
M	120 mm
L	160 mm

b	
Function	
Code	Description
LH	Halogen

c	
Voltage	
Code	Description
12	12V AC/DC
24	24V AC/DC
10	120V AC
20	240V AC

Lenses

855B      L      -      AFL        4    
           a                    b                    c

a	
Size	
Code	Description
S	90 mm
M	120 mm
L	160 mm

b	
Function	
Code	Description
ASL	Replacement smooth lens <sup>(1)</sup>
AFL	Replacement Fresnel lens <sup>(2)</sup>
ALL	Replacement LED lens <sup>(3)</sup>

c	
Voltage	
Code	Description
3	Green
4	Red
5	Amber
6	Blue
7	Clear
8	Yellow

- (1) Smooth lens for rotating function only.
- (2) Fresnel lens not for use with LED beacons
- (3) LED lens for 90 mm only.

Power Module Assemblies

855B      L      -      ARA        10    
           a                    b                    c

a	
Size	
Code	Description
S	90 mm
M	120 mm
L	160 mm

b	
Function	
Code	Description
ARA	Replacement rotating power module
ADA	Replacement steady power module
AFA	Replacement flashing power module
ABA	Replacement strobe power module

c	
Voltage	
Code	Description
12	12V AC/DC
24	24V AC/DC
10	120V AC
20	240V AC

Miscellaneous Accessories and Replacement Parts

855B      M      -      LS    
           a                    b

a	
Size	
Code	Description
S	90 mm
M	120 mm
L	160 mm

b	
Function	
Code	Description
ALSG	Lens gaskets (bag of 5)
AMM	Magnetic mount
ASFG	Surface mount gaskets (bag of 5)
AMTG	Metric tube gaskets (bag of 5)
AWP	Rough wall plate <sup>(1)</sup>
AVM	Vertical bracket
LS	Strobe tube (120 mm or 160 mm only) <sup>(2)</sup>
ABS	Surface mount base <sup>(3)</sup>
ABN	NPT conduit mount base

- (1) Required for UL Type 4/4X/13 rating when using surface mount base outdoors.
- (2) This replacement part is for use only in 120V and 240V units. For 24V units, order complete power module replacement (catalog number 855BM-ABA24 or catalog number 855BL-ABA24).
- (3) When used outdoors surface mount base must be installed with rough wall plate for UL Type 4/4X/13 rating, otherwise UL Type 1 only.






**Table 44 - Lamps, Lenses, and Power Modules**

	Description	90 mm	120 mm	160 mm	
	<b>Replacement Lamps</b>	<b>Voltage</b>	<b>Cat. No.</b>	<b>Cat. No.</b>	
	Xenon strobe tube		—	855BM-LS <sup>(2)</sup>	855BL-LS <sup>(2)</sup>
	Halogen for steady burning, flashing, and rotating illumination functions	12V AC/DC	855BS-LH12	855BM-LH12	855BL-LH12
		24V AC/DC	855BS-LH24	855BM-LH24	855BL-LH24
		120V AC	855BS-LH10	855BM-LH10	855BL-LH10
		240V AC	855BS-LH20	855BM-LH20	855BL-LH20
	<b>Replacement Lenses</b>	<b>Lens Color</b>	<b>Cat. No.</b>	<b>Cat. No.</b>	
	Smooth lens for rotating beacon only	Green	855BS-ASL3	855BM-ASL3	855BL-ASL3
		Red	855BS-ASL4	855BM-ASL4	855BL-ASL4
		Amber	855BS-ASL5	855BM-ASL5	855BL-ASL5
		Blue	855BS-ASL6	855BM-ASL6	855BL-ASL6
		Clear	855BS-ASL7	855BM-ASL7	855BL-ASL7
		Yellow	855BS-ASL8	855BM-ASL8	855BL-ASL8
	Fresnel lens for steady and flashing halogen and xenon strobe functions (not for use in LED beacons)	Green	855BS-AFL3	855BM-AFL3	855BL-AFL3
		Red	855BS-AFL4	855BM-AFL4	855BL-AFL4
		Amber	855BS-AFL5	855BM-AFL5	855BL-AFL5
		Blue	855BS-AFL6	855BM-AFL6	855BL-AFL6
		Clear	855BS-AFL7	855BM-AFL7	855BL-AFL7
		Yellow	855BS-AFL8	855BM-AFL8	855BL-AFL8
	LED lens for 90 mm beacons only	Green	855BS-ALL3	—	—
		Red	855BS-ALL4	—	—
		Amber	855BS-ALL5	—	—
		Blue	855BS-ALL6	—	—
		Clear	855BS-ALL7	—	—
		Yellow	855BS-ALL8	—	—
	<b>Power Modules <sup>(1)</sup></b>	<b>Voltage</b>	<b>Cat. No.</b>	<b>Cat. No.</b>	
	Rotating power module	12V AC/DC	855BS-ARA12	855BM-ARA12	855BL-ARA12
		24V AC/DC	855BS-ARA24	855BM-ARA24	855BL-ARA24
		120V AC	855BS-ARA10	855BM-ARA10	855BL-ARA10
		240V AC	855BS-ARA20	855BM-ARA20	855BL-ARA20
	Steady power module	12V AC/DC	855BS-ADA12	855BM-ADA12	855BL-ADA12
		24V AC/DC	855BS-ADA24	855BM-ADA24	855BL-ADA24
		120V AC	855BS-ADA10	855BM-ADA10	855BL-ADA10
		240V AC	855BS-ADA20	855BM-ADA20	855BL-ADA20
	Flashing power module	12V AC/DC	855BS-AFA12	855BM-AFA12	855BL-AFA12
		24V AC/DC	855BS-AFA24	855BM-AFA24	855BL-AFA24
		120V AC	855BS-AFA10	855BM-AFA10	855BL-AFA10
		240V AC	855BS-AFA20	855BM-AFA20	855BL-AFA20
	Strobe power module	24V AC/DC	855BS-ABA24	855BM-ABA24	855BL-ABA24
		120V AC	855BS-ABA10	855BM-ABA10	855BL-ABA10
		240V AC	855BS-ABA20	855BM-ABA20	855BL-ABA20

(1) All power modules include a lamp.

(2) This replacement part is for use only in 120V and 240V units. For 24V units, order complete power module replacement (catalog number 855BM-ABA24 or catalog number 855BL-ABA24).

**Table 45 - Bases and Miscellaneous Accessories and Replacement Parts**

	Description	90 mm	120 mm	160 mm
	<b>Replacement Bases</b>	<b>Cat. No.</b>	<b>Cat. No.</b>	<b>Cat. No.</b>
	Surface mount base <sup>(1)</sup>	855BS-ABS	855BM-ABS	855BL-ABS
	1/2 in. NPT conduit mount base	855BS-ABN	855BM-ABN	855BL-ABN
	Tube mount base	855BS-ABT	855BM-ABT	855BL-ABT
	<b>Miscellaneous Accessories and Replacement Parts</b>	<b>Cat. No.</b>	<b>Cat. No.</b>	<b>Cat. No.</b>
	Lens gasket (must order in multiples of 5)	855BS-ALSG	855BM-ALSG	855BL-ALSG
	Surface mount gaskets (must order in multiples of 5)	855BS-ASFG	855BM-ASFG	855BL-ASFG
	Tube mount gaskets (must order in multiples of 5)	855BM-AMTG	855BM-AMTG	855BL-AMTG
	Magnetic mount	855BS-AMM	855BM-AMM	855BL-AMM
	Rough wall plate <sup>(2)</sup>	855BS-AWP	855BM-AWP	855BL-AWP
	Vertical bracket	855BS-AVM	855BM-AVM	855BL-AVM
	Screws and washers for rough wall plate and magnetic mount	855BS-ASCW	855BM-ASCW	
	Bonding kit (required for bonding between conduit connections)	855BM-ABK		

(1) When used outdoors surface mount base must be installed with rough wall plate for UL Type 4/4X/13 rating.

(2) Required for UL Type 4/4X/13 rating when using surface mount base outdoors.

*Specifications*

**Table 46 - Technical**

Attribute	Value	
Housing	Base material	Polycarbonate
	Lenses (all)	Polycarbonate, red, amber, yellow, green, blue, and clear
	Pole mount base	90 mm: polycarbonate 120 mm and 160 mm: aluminum die-cast, powder-coated
	Bracket	Powder-coated steel
Protection class	Type 4/4X/13 (surface mount base must be installed with rough wall plate for Type 4/4X/13 rating), IP65	
Terminals (120 mm and 160 mm only)	Up to 2.5 mm <sup>2</sup> (14 AWG)	
Temperature Ranges	Operating	-25...+60 °C (-13...+140 °F); -25...+50 °C (-13...+122 °F), 120 mm and 160 mm steady halogen, and 120/240V AC single-color LED
	Storage	-25...+85 °C (-13...+185 °F)
Mounting	Horizontal surfaces:	Indoor — direct to the surface, outdoor — with additional metal plate between surface and base part
	Vertical surfaces	With bracket, for indoor and outdoor
	Tube or NPT conduit	For indoor and outdoor

**Table 47 - Electrical and Mechanical**

Attribute		Steady Halogen			Flashing Halogen			Strobe			Rotating Light		
		160 mm	120 mm	90 mm	160 mm	120 mm	90 mm	160 mm	120 mm	90 mm	160 mm	120 mm	90 mm
Halogen bulb	[W]	50	35	20	50	35	20	—	—	—	50	35	20
Bulb socket		GY6.35	GY6.35	GY6.35	GY6.35	GY6.35	GY6.35	—	—	—	GY6.35	GY6.35	GY6.35
Strobe energy	[J]	—	—	—	—	—	—	31	15	7	—	—	—
Xenon strobe tube		—	—	—	—	—	—	Helical	Helical	Helical	—	—	—
Strobe tube socket		—	—	—	—	—	—	Terminals	Terminals	Terminals	—	—	—
Flashing/Strobe frequency	[Hz]	—	—	—	1	1	1	1	1	1	—	—	—
Rotating speed (selectable via jumper wire)	[rpm]	—	—	—	—	—	—	—	—	—	90/180	90/180	90/180
Nominal Current [A]	12V AC/DC	4	2.9	1.6	4.2	3	1.6	—	—	—	4.2	3.2	1.8
	24V AC/DC	2.1	1.5	0.8	2.1	1.5	0.8	1.9	1.3	0.48	2.3	1.7	0.95
	110/120V AC, 50/60 Hz	0.42	0.29	0.2	0.42	0.3	0.2	0.7	0.32	0.21	0.58	0.32	0.30
	230/240V AC, 50 Hz	0.21	0.15	0.09	0.21	0.15	0.09	0.35	0.15	0.12	0.39	0.17	0.27
Weight [g]	Surface Mount	900	500	251	900	500	251	900	500	296	900	500	378
	Tube Mount	900	500	424	900	500	424	900	500	469	900	500	551
Attribute		90 mm											
		Single-color LED			Three-color LED			Strobe LED					
Nominal Current [mA]	24V AC/DC	—			155			—					
	110/120V AC, 50/60 Hz	—			100			70					
	230/240V AC, 50 Hz	—			105			70					
	24/48V AC/DC, 50/60 Hz	230...270 (16...60V AC/16...80V DC)			—			300 (19...52V AC/16...60V DC)					
	120/240V AC	38...43 mA (90...250V AC)			—			—					
Weight [g]	Surface Mount	250											
	Tube Mount	450											

**Table 48 - Standards and Certifications**

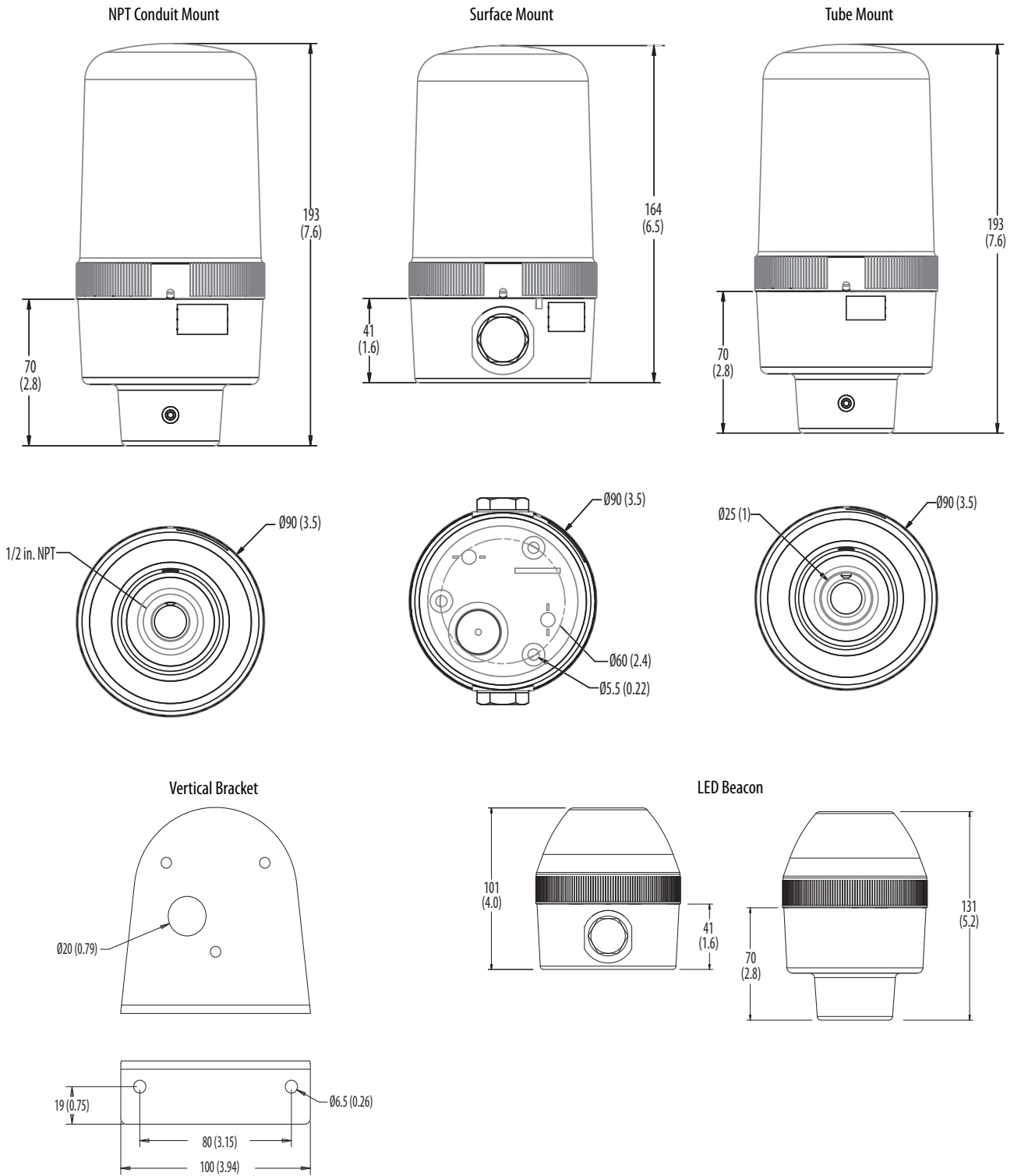
Attribute	Bulletin 855B — Industrial Round Beacons
Standards Compliance	<ul style="list-style-type: none"> <li>• UL 508</li> <li>• EN/IEC 60947-1</li> <li>• EN/IEC 60947-5-1</li> <li>• CSA C22.2 No. 14</li> </ul>
Certifications	<ul style="list-style-type: none"> <li>• c-UL-us Listed (File No. E14840, Guides NKCR, NKCR7)</li> <li>• CE Marked</li> </ul>



*Approximate Dimensions*

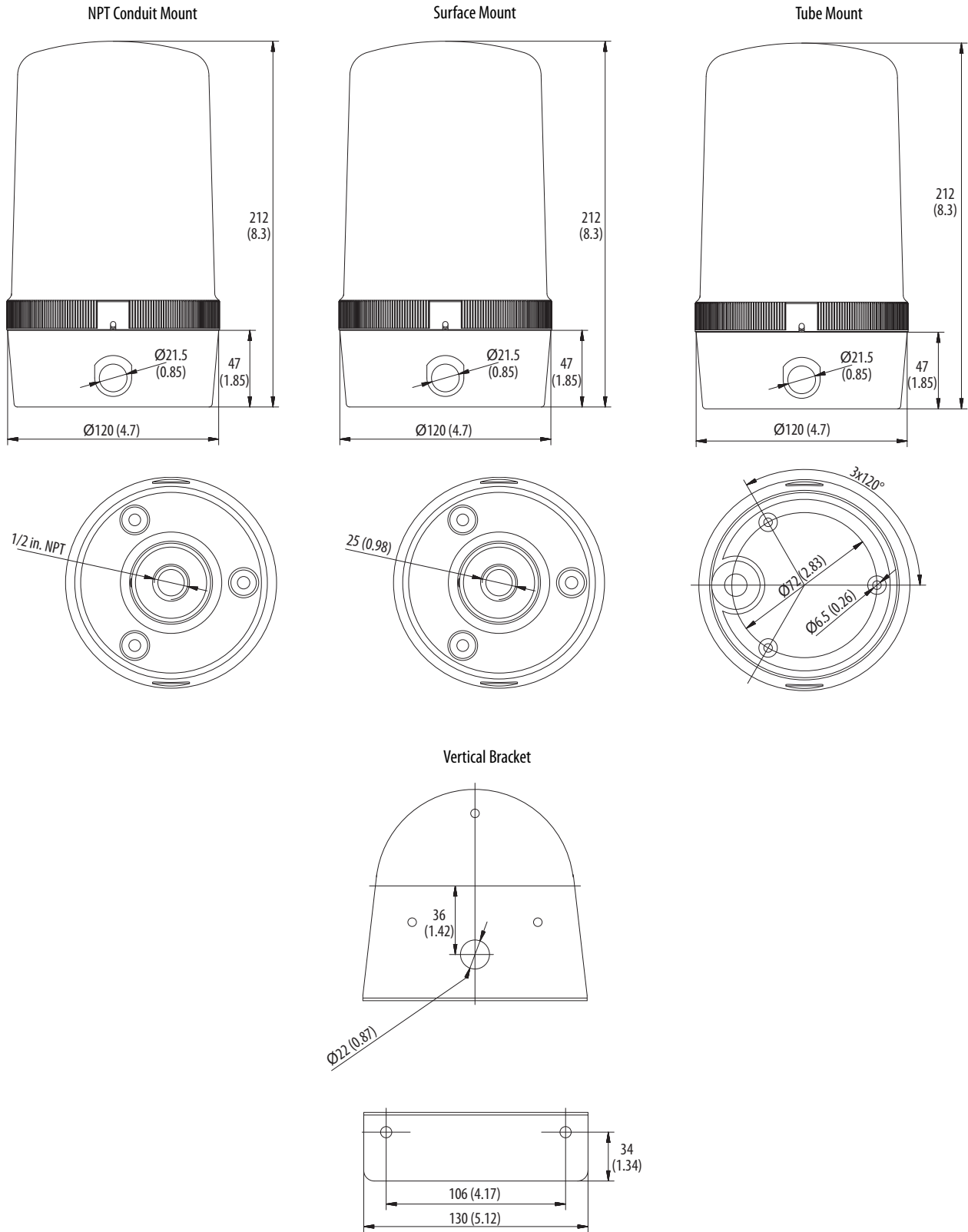
Dimensions in millimeters (inches). Dimensions are not intended to be used for manufacturing purposes.

**Figure 5 - Bulletin 855BS — 90 mm Beacon**



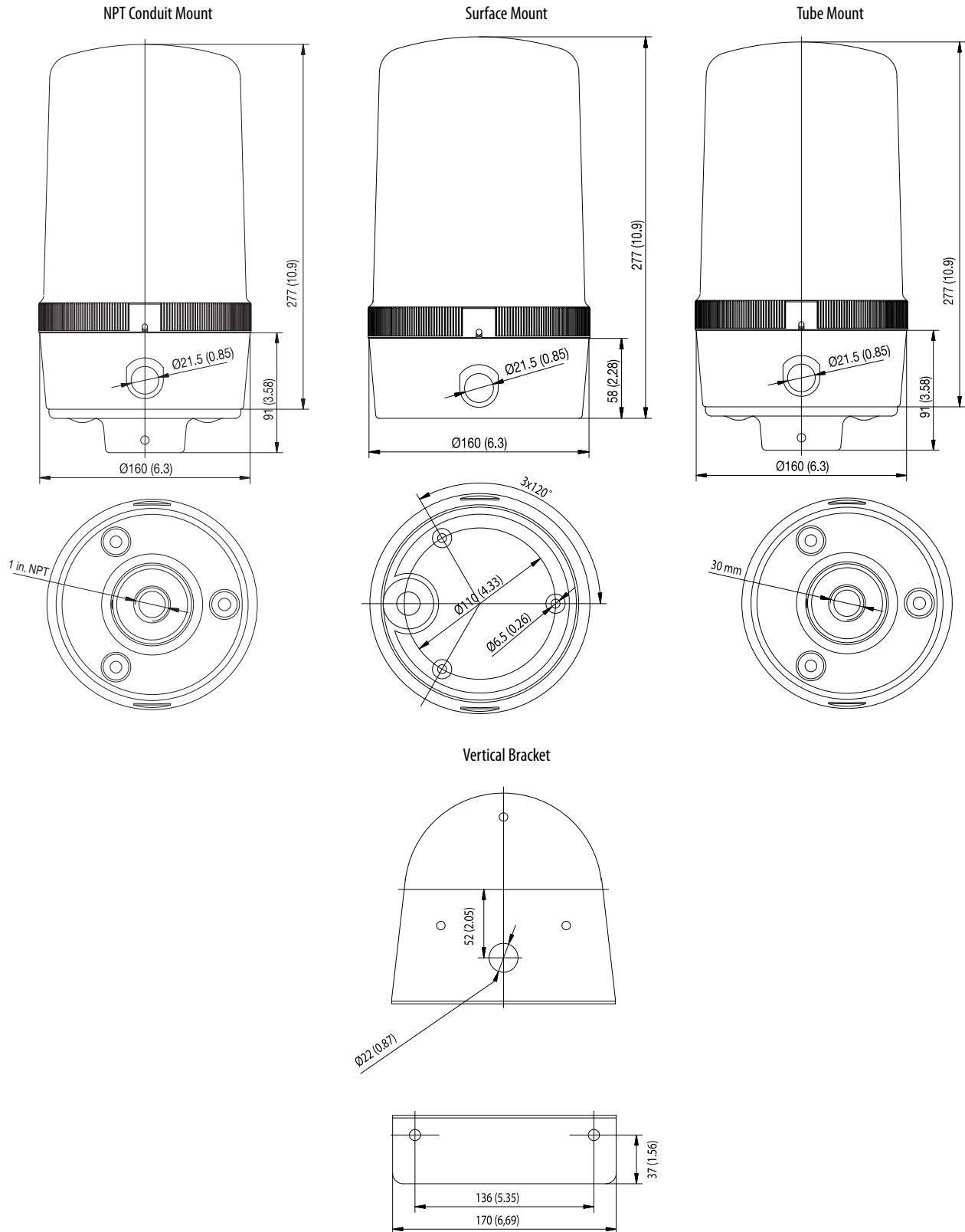
Dimensions in millimeters (inches). Dimensions are not intended to be used for manufacturing purposes.

**Figure 6 - Bulletin 855BM — 120 mm Beacon**



Dimensions in millimeters (inches). Dimensions are not intended to be used for manufacturing purposes.

**Figure 7 - Bulletin 855BL — 160 mm Beacon**



**Notes:**

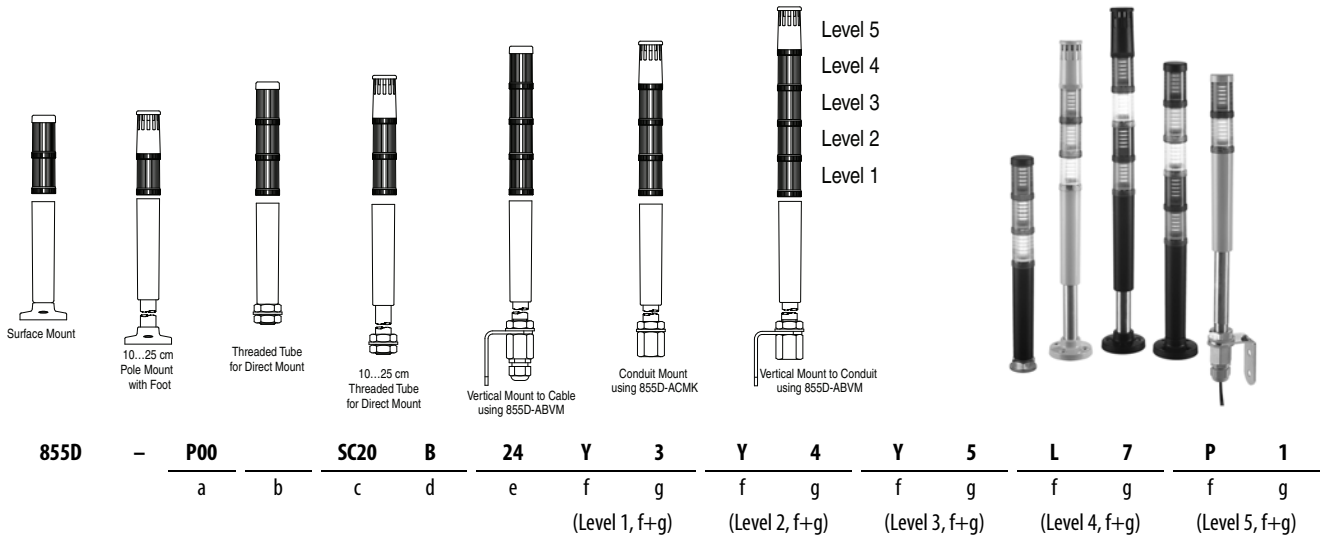
## Bulletin 855D/855F Compact Control Tower Stack Lights

This product line includes 30 mm (855D) and 70 mm (855F) stack lights.

### Bulletin 855D — 30 mm Compact Control Tower™ Stack Lights

These devices are available with UL Type 4/4X/13, IP65 ratings to meet the most challenging panel and on-machine applications.

#### Pre-assembled and Pre-wired Tower Lights, 1...5 Modules



a	
Base Type	
Code	Description
P00	Surface mount
P10	10 cm aluminum pole mount with foot
P25	25 cm aluminum pole mount with foot
T00	0 cm M20 metric threaded tube for direct mount
T10	10 cm M20 metric threaded tube for direct mount
T25	25 cm M20 metric threaded tube for direct mount
Q10	10 cm quick release mount pole
Q25	25 cm quick release mount pole

b	
Network Option	
Code	Description
Blank	No network option

c	
Cable Connector and Length <sup>(1)</sup>	
Code	Description
SC20	Stranded cable, 2 m (6.6 ft), yellow jacket
Blank	No cable (only for Q10 or Q25 base types)

(1) The SC20 cable must be ordered for all bases, except the Q10 and Q25 bases.

d	
Housing Color	
Code	Description
B	Black
G	Gray

e	
Voltage	
Code	Description
24	24V AC/DC
10	120V AC
20	240V AC

f	
Module Type <sup>(1) (2)</sup>	
Code	Description
Y	Steady LED
L	Flashing LED
C	Piezo sound alarm, continuous tone
P	Piezo sound alarm, pulsing tone
Q	Dual-circuit piezo sound alarm <sup>(3)</sup>

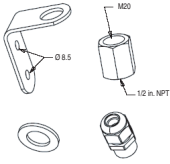

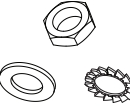





g	
Lens Color/Sound	
Code	Description
1	Sound module
3	Green
4	Red
5	Amber
6	Blue
7	Clear
8	Yellow

(1) Sound module types (C, P, Q) must be on the top-most level, they must be configured with Lens Color/Sound Code 1, and only one sound module is allowed per assembly.

(2) Light module types (Y, L) can only be configured with Lens Color/Sound Codes 3, 4, 5, 6, 7, or 8.

(3) If the dual-circuit sound module (Q) is selected, the maximum number of light modules that are allowed is three (two circuits are required for the dual-circuit sound module).

Accessories

	Description		Cat. No.
	<p>Vertical Mount Kit Includes the following:</p> <ul style="list-style-type: none"> <li>• L-bracket</li> <li>• Thread adapter</li> <li>• Black cable gland (1/2 in. NPT)</li> <li>• Plastic washer</li> </ul>		855D-ABVM
	<p>Conduit Mount Kit M20 to 1/2 in. NPT thread adapter</p>		855D-ACMK
	<p>Direct Mount Kit Includes the following:</p> <ul style="list-style-type: none"> <li>• M20 nut</li> <li>• Plastic washer</li> <li>• Metal lock washer</li> </ul>		855D-ARDM
	<p>Base Foot Gasket (Bag of 5)</p>		855D-APFG
	<p>Mounting Screw Washer Kit Replacement flat washers are used to provide a seal where the mounting screw meets the pole base. (1 kit includes 20 pieces)</p>		855T-AMSG
	<p>Field-installable 4-pin DC Micro style terminal chamber. For additional chamber style terminals, see <a href="https://ab.rockwellautomation.com/Connection-Devices/Cables-and-Cordsets">https://ab.rockwellautomation.com/Connection-Devices/Cables-and-Cordsets</a>.</p>		871A-TS4-DM
	<b>Description</b>	<b>Color</b>	<b>Cat. No.</b>
	<p>Locking ring for Bulletin 854J, 855D, and 855E quick release bases</p>		855D-ABQLR
	<p>Locking ring for quick release base</p>		855D-AGQLR
	<p>Internal gasket for quick release base (order quantity of 1 and receive bag of five gaskets)</p>		855D-AQG
	<p>Quick-release mounting base with gasket</p>		855D-AQMB

Specifications

**Table 49 - Mechanical**

Standard Bases		Based on the weight and style of mounting; tower lights are subject to damage from shock and vibration. The following are reference guidelines for maximum acceptable conditions.	
		Shock [G]	Vibration [G]
Surface-mount Base or 10cm or 25 cm Aluminum Pole Base	1 Module Stack	150	2.5
	3 Module Stack	45	2.5
	5 Module Stack	35	2.0

**Table 50 - Environmental**

Attribute	Value	
Ingress Ratings	Light Modules	IP65/UL Type 4/4X/13
	Sound Modules	IP65/UL Type 4/4X/13
	Surface, Pole, Vertical, Tube Mount Bases	IP65/UL Type 4/4X/13
Temperature Ranges	Operating	-25...+50 °C (-13...+122 °F)
	Storage	-25...+85 °C (-13...+185 °F)

**Table 51 - Materials**

Part	Material
Bases, Caps, Lens Covers, Sound Module Housings	Polycarbonate
Rubber Seals and Gaskets	Nitrile rubber
Pole (for aluminum pole assembly)	Aluminum
Pole Base Footing (for aluminum pole base)	Polycarbonate
Insulation Sleeve (for pole insulation)	PVC
Mounting Screw Washers	Polyamide

**Table 52 - Estimated Light Output<sup>(1)</sup>**

Attribute	Estimated Light Output [mcd]
Steady, Flashing, Red	1000
Steady, Flashing, Amber	800
Steady, Flashing, Green	1500
Steady, Flashing, Yellow	700
Steady, Flashing, Blue	250
Steady, Flashing, White	1000

(1) Light output values are calculated from the LED Data Sheet and show typical values of luminous density. These values are not exact because the knurling in the lens affects the light distribution and because the viewing angle of the LED that directly relates to the Cd output value, is not identical for all LEDs.

**Table 53 - Operating Voltage**

Device	Operating Voltage		
	24V AC/DC	120V AC	240V AC
Light modules and sound modules	24V AC/DC (±10%)	110V AC, 50 Hz (±10%) 120V AC, 60 Hz (±10%)	230V AC, 50 (±10%) 240V AC, 60 (±10%)

**Table 54 - Lamp Life Ratings (Design Life) Average Life Under Static, No Vibration, Conditions**

Device	Lamp Life Rating		
	24V AC/DC	120V AC	240V AC
LED modules	100,000 hr		
Sound modules	20,000 hr		

**Table 55 - Current Consumption**

Device		Current Consumption [mA]		
		24V AC/DC	120V AC	240V AC
Light modules	Steady or flashing LED	20	22	21
Piezo-style sound modules	Single- and dual-circuit	40	22	21

**Table 56 - Flashing Frequency (Light Only Modules)**

Device	Flashing Frequency
Flashing LED Modules	Approximately 2 Hz

**Table 57 - Decibel Rating (Sound Modules) <sup>(1)</sup>**

Device	Decibel Rating
Piezo Sound Module	85 dB(A) (+2 dB/-5 dB)

(1) All dB(A) ratings are determined at a distance of 1 m (3.3 ft) from the sound module.

**Table 58 - Leakage Current Impact**

All light and sound modules can absorb up to 3 mA of leakage current from solid-state outputs without module activation.

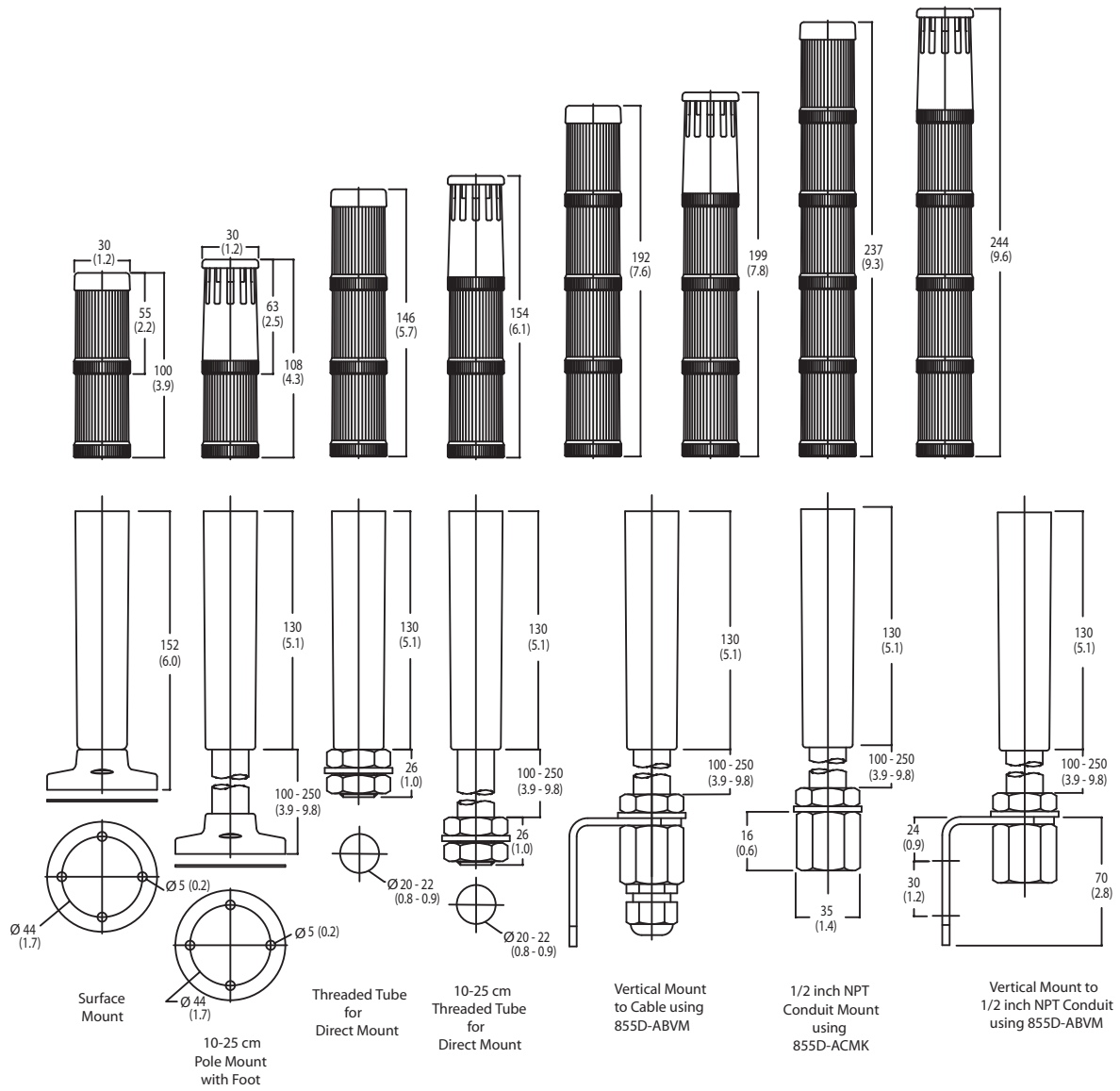
**Table 59 - Standards and Certifications**

Attribute	Bulletin 855D — 30 mm Compact Control Tower Stack Lights
Standards Compliance	<ul style="list-style-type: none"> <li>• UL 508</li> <li>• CSA C22.2 No. 14</li> <li>• EN/IEC 60947-1</li> <li>• EN/IEC 60947-5-1</li> </ul>
Certifications	<ul style="list-style-type: none"> <li>• c-UL-us Listed (File No. E14840, Guides NKCR, NKCR7)</li> </ul>



*Approximate Dimensions*

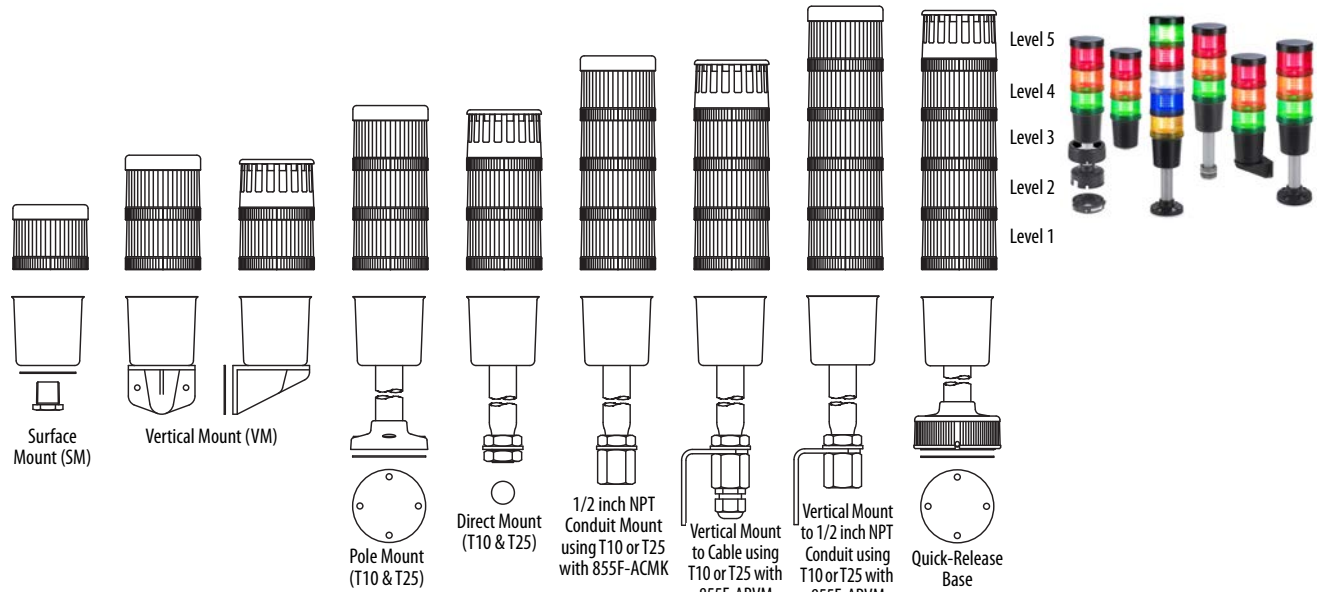
Dimensions in millimeters (inches). Dimensions are not intended to be used for manufacturing purposes.



## Bulletin 855F — 70 mm Compact Control Tower Stack Lights

These devices are available with UL Type 4/4X/13, IP65 ratings to meet the most challenging panel and on-machine applications.

### Pre-assembled and Pre-wired Tower Lights, 1...5 Modules



855F — P10 SC20 B 24 Y 3 Y 4 Y 5 L 7 P 1  
 a b c d e f e f e f e f e f e f  
 (Level 1, e+f) (Level 2, e+f) (Level 3, e+f) (Level 4, e+f) (Level 5, e+f)

a	
Base Type	
Code	Description
SB	Surface mount with 1/2 in. NPT threaded connector and mounting nut
P10	10 cm aluminum pole mount with foot
P25	25 cm aluminum pole mount with foot
T10	10 cm threaded tube for direct mount
T25	25 cm threaded tube for direct mount
VM	Vertical mount
Q10	10 cm quick release mount pole
Q25	25 cm quick release mount pole

b	
Cable Connector and Length <sup>(1)</sup>	
Code	Description
SC20	Stranded cable, 2 m (6.6 ft), yellow jacket
Blank	No cable (only for Q10 or Q25 base types)

c	
Housing Color	
Code	Description
B	Black

(1) The SC20 cable must be ordered for all bases, except the Q10 and Q25 bases.

d	
Voltage	
Code	Description
24	24V AC/DC
10	120V AC
20	240V AC

e	
Module Type <sup>(1)</sup> <sup>(2)</sup>	
Code	Description
Y	Steady LED
L	Flashing LED
C	Piezo sound alarm, continuous tone
P	Piezo sound alarm, pulsing tone
Q	Dual-circuit piezo sound alarm <sup>(3)</sup>

f	
Lens Color/Sound	
Code	Description
1	Sound module
3	Green
4	Red
5	Amber

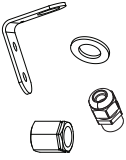
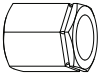
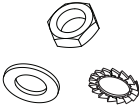
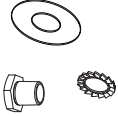


f, cont'd.	
Lens Color/Sound	
Code	Description
6	Blue
7	Clear
8	Yellow

(1) Sound module types (C, P, Q) must be on the top-most level, they must be configured with Lens Color/Sound Code 1, and only one sound module is allowed per assembly.

(2) Light module types (Y, L) can only be configured with Lens Color/Sound codes 3, 4, 5, 6, 7, or 8.

(3) If the dual-circuit sound module (Q) is selected, the maximum number of light modules that are allowed is three (two circuits are required for the dual-circuit sound module).

Accessories

	Description	Cat. No.
	<p>Vertical Mount Kit Includes the following:</p> <ul style="list-style-type: none"> <li>• L-bracket</li> <li>• Thread adapter (G1/2 in. to 1/2 in. NPT)</li> <li>• Black cable gland (1/2 in. NPT)</li> <li>• Plastic washer</li> </ul>	855F-ABVM
	<p>Conduit Mount Kit G1/2 in. to 1/2 in. NPT thread adapter</p>	855F-ACMK
	<p>Direct Mount Kit Includes the following:</p> <ul style="list-style-type: none"> <li>• G1/2 in. nut</li> <li>• Plastic washer</li> <li>• Metal lock washer</li> </ul>	855F-ARDM
	<p>Surface Mount Kit Includes the following:</p> <ul style="list-style-type: none"> <li>• Threaded connector (1/2 in. NPT)</li> <li>• Surface-mount gasket</li> <li>• Lock washer</li> </ul>	855F-ASMK
	<p>Mounting Screw Washer Kit Replacement flat washers are used to provide a seal where the mounting screw meets the pole base. (1 kit includes 20 pieces)</p>	855T-AMSG
	<p>Field-installable 4-pin DC Micro style terminal chamber. For additional chamber style terminals, see <a href="https://ab.rockwellautomation.com/Connection-Devices/Cables-and-Cordsets">https://ab.rockwellautomation.com/Connection-Devices/Cables-and-Cordsets</a>.</p>	871A-TS4-DM

Specifications

**Table 60 - Mechanical**

Standard Bases		Based on the weight and style of mounting; tower lights are subject to damage from shock and vibration. The following are reference guidelines for maximum acceptable conditions.	
		Shock [G]	Vibration [G]
Surface-mount Base or 10 cm or 25 cm Aluminum Pole Base	1 Module Stack	150	2.5
	3 Module Stack	45	2.5
	5 Module Stack	35	2.0

**Table 61 - Environmental**

Attribute	Value	
Ingress Ratings	Light Modules	UL Type 4/4X/13, IP65
	Sound Modules	UL Type 4/4X/13, IP65
	Surface, Pole, Vertical, Tube Mount Bases	UL Type 4/4X/13, IP65
Temperature Ranges	Operating	-25...+60 °C (-13...+140 °F)
	Storage	-25...+85 °C (-13...+185 °F)

**Table 62 - Materials**

Part	Material
Bases, Caps, Lens Covers, Sound Module Housings	Polycarbonate
Rubber Seals and Gaskets	Nitrile rubber
Pole (for aluminum pole assembly)	Aluminum
Pole Base Footing (for aluminum pole base)	Polycarbonate
Insulation Sleeve (for pole insulation)	PVC
Mounting Screw Washers	Polyamide

**Table 63 - Estimated Light Output <sup>(1)</sup>**

Attribute	Estimated Light Output [mcd]
Steady, Flashing, Red	1000
Steady, Flashing, Amber	800
Steady, Flashing, Green	1500
Steady, Flashing, Yellow	700
Steady, Flashing, Blue	250
Steady, Flashing, White	1000

(1) Light output values are calculated from the LED Data Sheet and show typical values of luminous density. These values are not exact because the knurling in the lens affects the light distribution and because the viewing angle of the LED that directly relates to the Cd output value, is not identical for all LEDs.

**Table 64 - Operating Voltage**

Device	Operating Voltage		
	24V AC/DC	120V AC	240V AC
Light modules and sound modules	24V AC/DC (±10%)	110V AC, 50 Hz (±10%) 120V AC, 60 Hz (±10%)	230V AC, 50 Hz (±10%) 240V AC, 60 Hz (±10%)

**Table 65 - Lamp Life Ratings (Design Life) Average Life Under Static, No Vibration, Conditions**

Device	Lamp Life Rating		
	24V AC/DC	120V AC	240V AC
LED modules		100,000 hr	
Sound modules		20,000 hr	

**Table 66 - Current Consumption**

Device		Current Consumption [mA]		
		24V AC/DC	120V AC	240V AC
Light modules	Steady or flashing LED	20	22	21
Piezo-style sound modules	Single- and dual-circuit	53	22	21

**Table 67 - Flashing Frequency (Light Only Modules)**

Device	Flashing Frequency
Flashing LED Modules	Approximately 2 Hz

**Table 68 - Decibel Rating (Sound Modules) <sup>(1)</sup>**

Device	Decibel Rating
Piezo Sound Module	100 dB(A) (+2 dB/-5 dB)

(1) All dB(A) ratings are determined at a distance of 1 m (3.3 ft) from the sound module.

**Table 69 - Leakage Current Impact**

All light and sound modules can absorb up to 3 mA of leakage current from solid-state outputs without module activation.

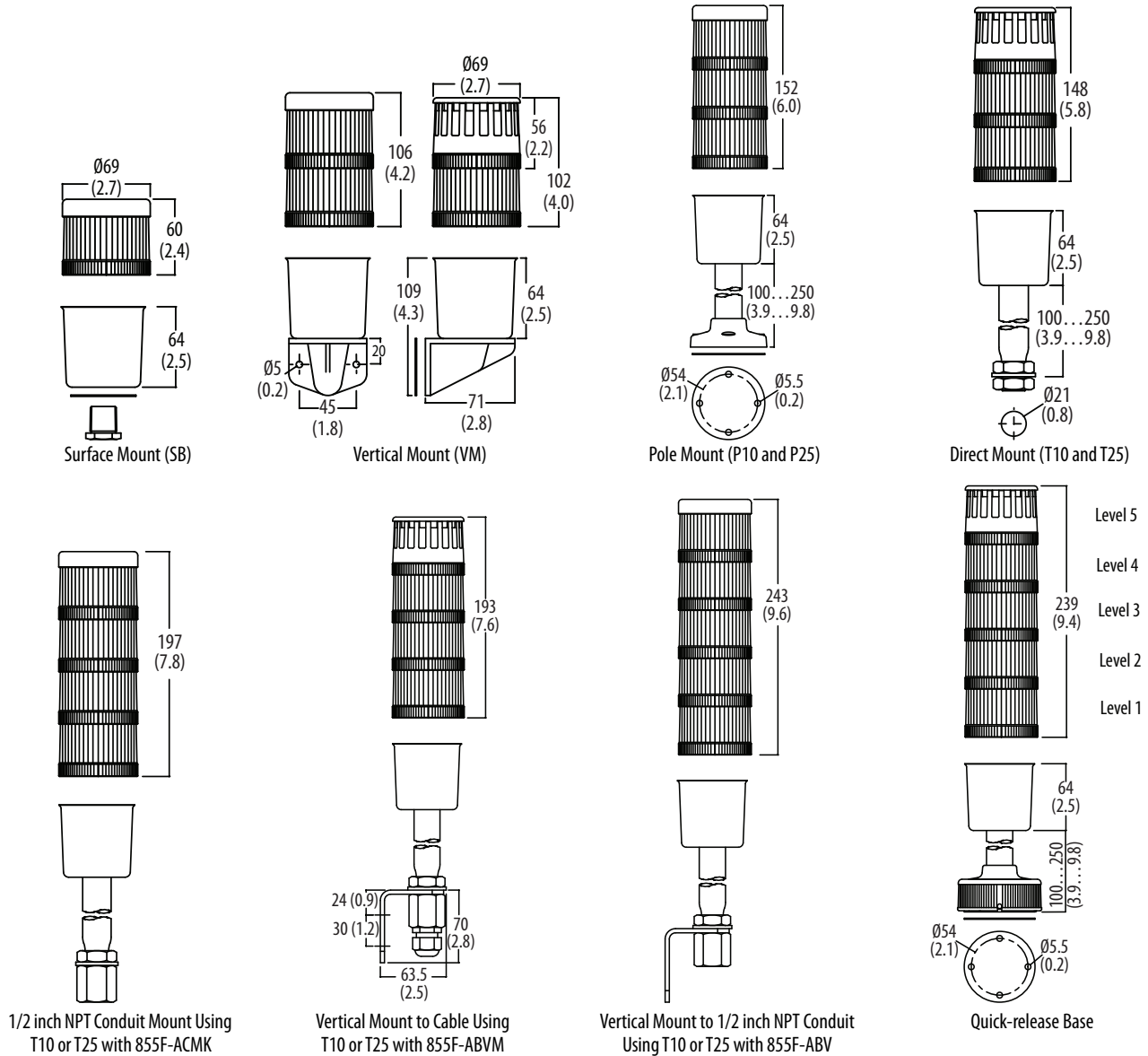
**Table 70 - Standards and Certifications**

Attribute	Bulletin 855F — 70 mm Compact Control Tower Stack Lights
Standards Compliance	<ul style="list-style-type: none"> <li>• UL 508</li> <li>• CSA C22.2 No. 14</li> <li>• EN/IEC 60947-1</li> <li>• EN/IEC 60947-5-1</li> </ul>
Certifications	<ul style="list-style-type: none"> <li>• c-UL-us Listed (File No. E14840, Guides NKCR, NKCR7)</li> <li>• CE Marked</li> </ul>

*Approximate Dimensions*

Dimensions in millimeters (inches). Dimensions are not intended to be used for manufacturing purposes.

**Figure 8 - Assembled Stacks**



## Bulletin 854J/854K Control Tower Stack Lights

This product line includes 40 mm (854J) and 60 mm (854K) stack lights.

### Bulletin 854J — 40 mm Control Tower Stack Lights

These devices provide reliable, high-performance, high-visibility machine multi-status indication in a cost-effective package. They feature IP66 enclosure rating and is rated for indoor and outdoor use, which makes them an ideal signaling solution for a broad range of applications. With a wide variety of mounting bases available, they can be installed in any orientation — vertical, sideways, or upside-down — to best suit the application. They can be preassembled to save time or ordered as separate light and sound modules for customized field assembly.



Steady LED Module

#### Light Modules

854J —  $\frac{10}{a}$   $\frac{TL}{b}$   $\frac{4}{c}$

a	
Voltage	
Code	Description
00	0...250V AC/DC (no-lamp module) <sup>(1)</sup>
24	24V AC/DC <sup>(2)</sup>
10	120V AC <sup>(2)</sup>
20	240V AC <sup>(2)</sup>

b	
Light Module Type	
Code	Description
XN	Steady no lamp <sup>(3)</sup>
TL	Steady LED
GL	Flashing LED
BL	LED strobe, single flash

c	
Lens Color	
Code	Description
3	Green
4	Red
5	Amber
6	Blue
7	Clear
8	Yellow

(1) Can only be selected with module type XN, voltage code 00. Accepts 4 W socket mount incandescent lamp types only.

(2) Not valid with module type XN.

(3) Incandescent lamps (catalog numbers 854J-L24, 854J-L10, and 854J-L20) must be purchased separately.

Voltage	Color	Steady Incandescent	Steady LED	Flashing LED	Strobe LED
		Cat. No. <sup>(1)</sup>	Cat. No.	Cat. No.	Cat. No.
0...250V AC/DC	Green	854J-00XN3	—	—	—
	Red	854J-00XN4	—	—	—
24V AC/DC	Green	—	854J-24TL3	854J-24GL3	854J-24BL3
	Red	—	854J-24TL4	854J-24GL4	854J-24BL4
	Amber	—	854J-24TL5	854J-24GL5	854J-24BL5
120V AC	Green	—	854J-10TL3	854J-10GL3	854J-10BL3
	Red	—	854J-10TL4	854J-10GL4	854J-10BL4
	Amber	—	854J-10TL5	854J-10GL5	854J-10BL5
240V AC	Green	—	854J-20TL3	854J-20GL3	854J-20BL3
	Red	—	854J-20TL4	854J-20GL4	854J-20BL4
	Amber	—	854J-20TL5	854J-20GL5	854J-20BL5

(1) No lamp included; must be ordered separately

*Sound Modules*

Sound modules have continuous and pulsing tones selectable via DIP switch. Maximum sound output is 80 dB(A) at 1 meter (3.3 feet).



Sound Module

854J –   B     10     SA3    
                   a          b          c

a	
Housing Color	
Code	Description
B	Black

b	
Light Module Type	
Code	Description
24	24V AC/DC
10	120V AC
20	240V AC

c	
Module Type	
Code	Description
SA3	Single-circuit piezo-style steady/pulsing DIP switch selectable

Voltage	Housing Color	Module Type	Cat. No.
24V AC/DC	Black	Single-circuit sounder, single tone	854J-B24SA3
120V AC			854J-B10SA3
240V AC			854J-B20SA3



Standard Stack Light Bases



854J – B VM C  
a b c

a	
Housing Color	
Code	Description
B	Black

b	
Base Type <sup>(1)</sup>	
Code	Description
NPT	1/2 in. NPT
VM	Vertical mount
SH	Surface mount, preinstalled mounting hardware
SF	Surface mount, external mounting holes
PM10	10 cm (3.9 in.) aluminum pole mount base
PM25	25 cm (9.8 in.) aluminum pole mount base
T10	10 cm (3.9 in.) threaded tube (M20)
T25	25 cm (9.8 in.) threaded tube (M20)
DS	Double-sided base <sup>(2)</sup>
Q10	10 cm (3.9 in.) quick release base
Q25	25 cm (9.8 in.) quick release base
SFQD5	Flange-style base with M12 (5-pin DC) micro connector <sup>(3) (4) (5) (6) (7)</sup>

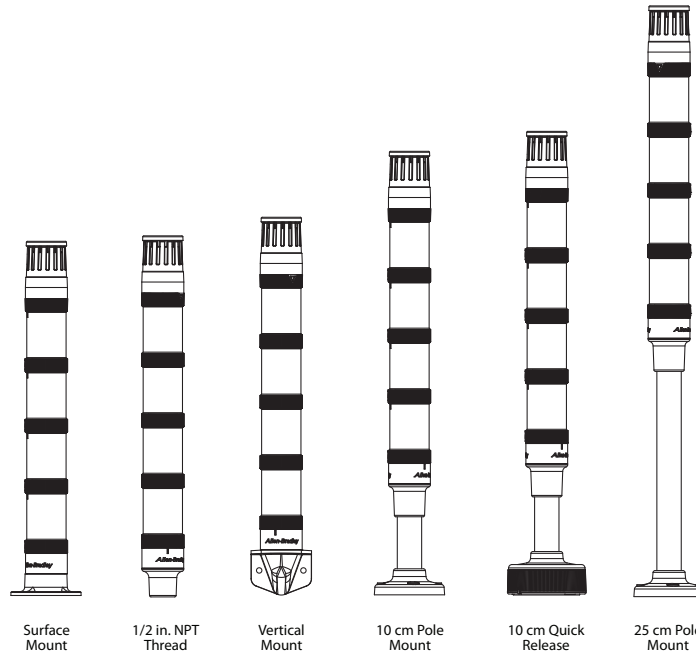
c	
Cap Option	
Code	Description
C	Cap included

- (1) PM10, PM25, T10, T25, Q10, and Q25 bases have powder-coated aluminum tubes
- (2) Double-sided base can accommodate up to ten modules per base that are divided in two groups up to five levels each.
- (3) For vertical mounting of the base use catalog number 855T-AVM.
- (4) Maximum number of levels that are allowed in the stack is four.
- (5) For use with Bulletin 889D cordsets.
- (6) Cannot be used with 10 cm plastic base extension (catalog number 854J-ABBE).
- (7) Maximum 250V AC/DC UL / 60V AC/DC IEC.

Housing Color	Base Type	Cat. No. <sup>(1)</sup>
Black	1/2 in. NPT thread	854J-BNPTC
	Vertical mount	854J-BVMC
	Surface mount — pre-installed hardware	854J-BSHC
	Surface mount — external mounting holes	854J-BSFC
	10 cm (3.9 in.) aluminum pole mount	854J-BPM10C
	25 cm (9.8 in.) aluminum pole mount	854J-BPM25C
	10 cm (3.9 in.) threaded tube (M20)	854J-BT10C
	25 cm (9.8 in.) threaded tube (M20)	854J-BT25C
	Double-sided base	854J-BDSC
	10 cm (3.9 in.) quick release base	854J-BQ10C
	25 cm (9.8 in.) quick release base	854J-BQ25C
	Flange-style base with M12 (5-pin DC) micro connector	854J-BSFQD5C

(1) All listed bases include a cap.

Pre-configured Tower Lights, 1...5 Modules



854JC – SF B 10 Y 3 L 5 B 3 L 7 Y 6  
 a b c d c d c d c d c d  
 (Level 1, c+d) (Level 2, c+d) (Level 3, c+d) (Level 4, c+d) (Level 5, c+d)

a	
Base Type <sup>(1)</sup>	
Code	Description
NPT	1/2 in. NPT
VM	Vertical mount
SF	Surface mount —external mounting holes
P10	10 cm (3.9 in.) aluminum pole mount with foot
P25	25 cm (9.8 in.) aluminum pole mount with foot
Q10	10 cm (3.9 in.) quick release mount pole
Q25	25 cm (9.8 in.) quick release mount pole

b	
Voltage	
Code	Description
24	24V AC/DC
10	120V AC

c	
Module Type	
Code	Description
Y	Steady LED
L	Flashing LED
B	Strobe LED—single flash
P	Piezo sound alarm, continuous/pulsing tone

d	
Lens Color/Sound	
Code	Description
1	Sound module <sup>(2)</sup>
3	Green
4	Red
5	Amber
6	Blue
7	Clear
8	Yellow

(1) P10, P25, Q10, Q25 bases have powder-coated aluminum tubes.

(2) Sound module option can only be selected with Module Type option P (Table g). They must be in the top position of the stack.

## Accessories

Table 71 - Accessories














	Description	Cat. No.	
	Incandescent Lamps (4 W)	24V AC/DC	854J-L24
		120V AC	854J-L10
		240V AC	854J-L20
	Incandescent lamp removal tool	800T-N82	
	10 cm plastic base extension, black	854J-ABBE	
	Plastic vertical bracket for pole foot, black (can be used with Bulletin 855T, 855E, 854K, and 855F pole bases)	854J-ABPB	
	O-rings for lenses	854J-ALSG	
	O-rings for bases	854J-ABSG	
	Gasket for SH surface mount bases	854J-ASG2	
	Upper base with terminal block, black	854J-ABUB	
	Click to enlarge - 854J-ABCAP_prod_4c Cap, black	854J-ABCAP	
	Conduit mount adapter for threaded tube base (1/2 in. NPT to M20x1.5)	854J-ACMK	
	L-bracket for threaded tube base (vertical mount kit)	854J-ABVM	
	Direct mount kit for threaded tube base	854J-ARDM	

Table 72 - Replacement Parts

	Description	Cat. No.
	Vertical Mount Gasket Replacement flat gasket is to be placed between the mounting surface and the vertical mount base (Cat. No. 854J-BVMC).	855T-AVFG
	Pole Foot Gasket Replacement flat gasket is to be placed between the mounting surface and the pole base bottom foot. (Must order multiples of 5.) For use with Cat. No. 855T-BPM10C and 855T-BPM25C pole bases, Cat. No. 854J-BSFC and 854J-BSFQ5C bases, and Bul. 855T, 855E, 855F, 855D, 854J, and 854K quick release bases.	855T-APFG
	Mounting Screw Washer Kit Replacement flat washers are used to provide a seal where the mounting screw meets the pole base. (1 kit includes 20 pieces)	855T-AMSG
	Locking ring for Bulletin 854J, 855D, and 855E quick release bases	855D-ABQLR
	Internal gasket for quick release base (order quantity of 1 and receive bag of five gaskets)	855D-AQG
	Quick-release mounting base with gasket	855D-AQMB

Specifications

**Table 73 - Mechanical**

Standard Bases		Based on the weight and style of mounting; tower lights are subject to damage from shock and vibration. The following are reference guidelines for maximum acceptable conditions.	
		Shock [G]	Vibration [G]
Surface-mount Base or 10 cm (3.9 in.) Aluminum Pole Base	1 Module Stack	50	5
	3 Module Stack	50	5
	5 Module Stack	40	5
Vertical Base or 25 cm (9.8 in.) Aluminum Pole Base	1 Module Stack	55	5
	3 Module Stack	55	5
	5 Module Stack	35	5
Recommended Wire Sizes		0.2...1.5 mm <sup>2</sup> (24...16 AWG)	
Recommended Terminal Torque		Screwless terminal blocks	

**Table 74 - Environmental**

Attribute		Value
Ingress Ratings	Light Modules	UL Type 4/4X/13, IP66
	Sound Modules	
	Surface, Vertical, Tube Mount Bases	
	Pole-mount Bases	
	Flange-style Base with M12 Micro Connector <sup>(1)</sup>	
Temperature Ranges	Operating	-30...+60 °C (-22...+140 °F) For Cat. No. 854J-BSFQD5C only: -30...+45 °C (-22...+113 °F)
	Storage	-30...+85 °C (-22...+185 °F)

(1) UL Type 1 when used with Cat. No. 855T-AVM mounting bracket.

**Table 75 - Materials**

Part	Material
Bases, Caps, Lens Covers, Sound Module Housings	Polycarbonate
Lamp Socket	Polycarbonate
Rubber Seals and Gaskets	Nitrile rubber
Pole (for aluminum pole assembly)	Aluminum
Pole Base Footing (for aluminum pole base)	Polycarbonate
Mounting Screw Washers	Polypropylene

**Table 76 - Estimated Light Output**

Device		Estimated Light Output [mcd]	
		24V AC/DC	120V AC, 240V AC
Strobe LED	Red	4430	3915
	Green	4216	4080
	Amber	4430	3915
	Blue	1673	1619
	White	4464	4320
	Yellow	3715	3283
Steady/Flashing LED	Red	1793	2392
	Green	1714	3400
	Amber	1793	2391
	Blue	680	1349
	White	1814	3600
	Yellow	1503	2006

**Table 77 - Operating Voltage**

Device	Operating Voltage		
	24V AC/DC	120V AC	240V AC
Light modules and sound modules	24V AC/DC (±10%)	110V AC, 50 Hz (±10%) 120V AC, 60 Hz (±10%)	230V AC, 50 Hz (±10%) 240V AC, 60 Hz (±10%)

**Table 78 - Lamp Life Ratings (Design Life) Average Life Under Static, No Vibration, Conditions**

Device	Lamp Life Rating		
	24V AC/DC	120V AC	240V AC
LED modules	50,000 hr		
Sound modules	20,000 hr		

**Table 79 - Current Consumption [mA]**

Device		Current Consumption [mA]		
		24V AC/DC	120V AC	240V AC
Light only modules	Steady LED	22 (red, amber, and yellow) 33 (green, blue, and white)	30 (red, amber, and yellow) 29 (green, blue, and white)	
	Flashing LED	28 (red, amber, and yellow) 36 (green, blue, and white)	30 (red, amber, and yellow) 29 (green, blue, and white)	
	Strobe LED	35 (red, amber, and yellow) 65 (green, blue, and white)	10	
Sound modules	Single-tone	65	31	32

**Table 80 - Flashing Frequency (Light Only Modules)**

Device	Flashing Frequency
Flashing LED Modules	Approximately 1.5 Hz; Time On/Time OFF = 1:1
LED Strobe Modules	Approximately 2 Hz (flash duration 1/50,000 second)

**Table 81 - Decibel Rating (Sound Modules) <sup>(1)</sup>**

Device	Decibel Rating
Single-tone Sound Module	80 dB(A) (non-adjustable)
Tone Frequency	Preset at 2500 Hz

(1) All dB(A) ratings are determined at a distance of 1 m (3.3 ft) from the sound module.

**Table 82 - Leakage Current Impact**

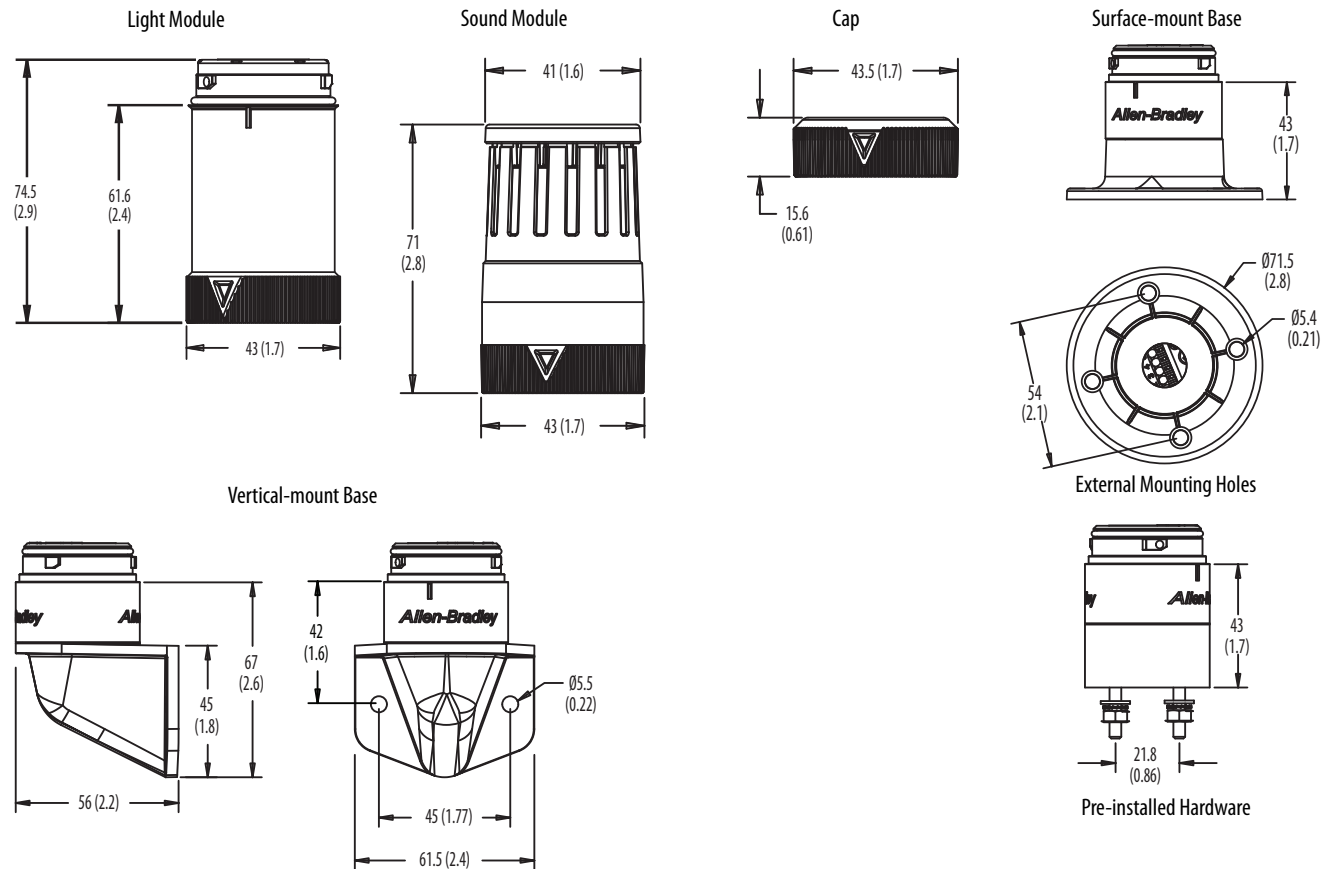
All light and sound modules can absorb up to 3 mA of leakage current from solid-state outputs without module activation.

**Table 83 - Standards and Certifications**

Attribute	Bulletin 854J — 40 mm Control Tower Stack Lights
Standards Compliance	<ul style="list-style-type: none"> <li>• UL 508</li> <li>• CSA C22.2 No. 14</li> <li>• EN/IEC 60947-1</li> <li>• EN/IEC 60947-5-1</li> </ul>
Certifications	<ul style="list-style-type: none"> <li>• c-UL-us Listed (File No. E14840, Guides NKCR, NKCR7)</li> <li>• CE Marked</li> <li>• RoHS Compliant</li> </ul>

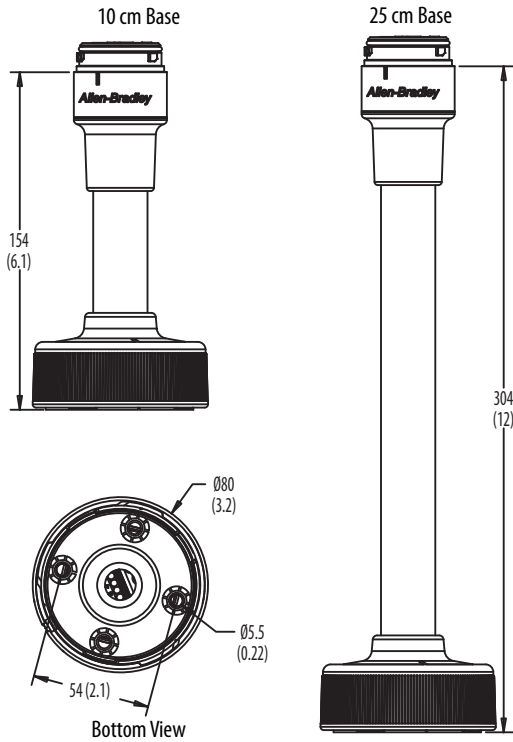
*Approximate Dimensions*

Dimensions in millimeters (inches). Dimensions are not intended to be used for manufacturing purposes.

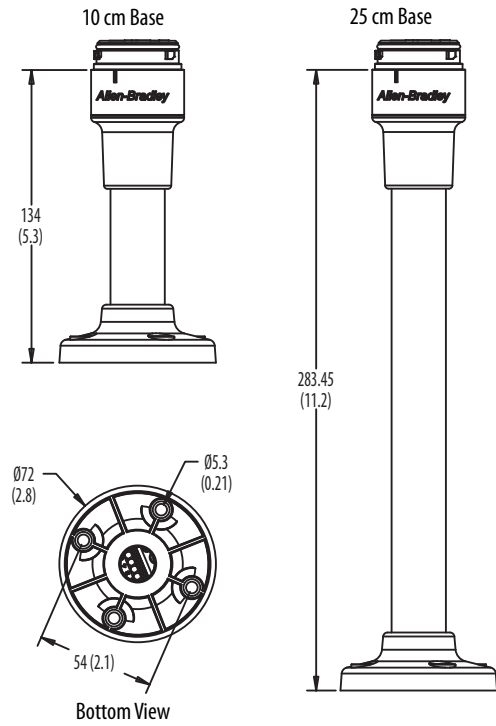


Dimensions in millimeters (inches). Dimensions are not intended to be used for manufacturing purposes.

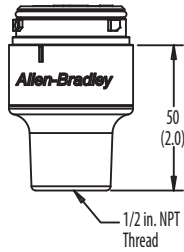
Quick-release Base



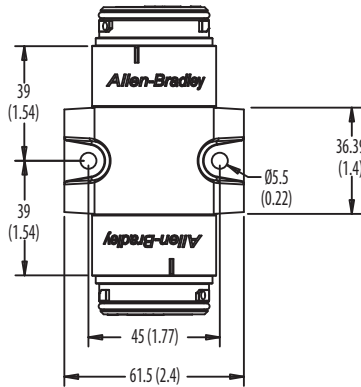
Pole-mount Base



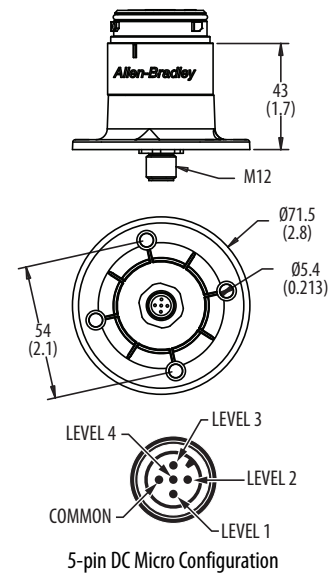
1/2 in. NPT Thread Base



Double-sided Base



Flange-style Base with M12 Micro Connector (Male)



## Bulletin 854K — 60 mm Control Tower Stack Lights

These devices are designed to communicate application status, alerting you to critical equipment and system needs on the plant floor. They feature an IP66 enclosure rating and is rated for indoor and outdoor use, which makes them an ideal signaling solution for a broad range of applications. With a wide variety of mounting bases available, they can be installed in any orientation — vertical, sideways, or upside-down — to best suit the application. They can be preassembled to save time or ordered as separate light and sound modules for customized field assembly.



### Light Modules

854K —  $\frac{10}{a}$   $\frac{TL}{b}$   $\frac{4}{c}$

a	
Voltage	
Code	Description
00	0...250V AC/DC (no lamp module) <sup>(1)</sup>
24	24V AC/DC <sup>(2)</sup>
10	120V AC <sup>(2)</sup>
20	240V AC <sup>(2)</sup>

b	
Light Module Type	
Code	Description
XN	Steady no lamp <sup>(3)</sup>
TL	Steady socket-mount LED
GL	Flashing socket-mount LED
BL	LED strobe, single flash

c	
Lens Color	
Code	Description
3	Green
4	Red
5	Amber
6	Blue
7	Clear
8	Yellow

- (1) Can only be selected with module type XN, voltage code 00. Accepts socket mount incandescent lamp types only.
- (2) Not valid with module type XN (Table b).
- (3) Incandescent lamps (catalog numbers 854J-L24, 854J-L10, and 854J-L20) must be purchased separately.

Voltage	Color	Steady Incandescent	Steady LED	Flashing LED	Strobe LED
		Cat. No. <sup>(1)</sup>	Cat. No.	Cat. No.	Cat. No.
0...250V AC/DC	Green	854K-00XN3	—	—	—
	Red	854K-00XN4	—	—	—
24V AC/DC	Green	—	854K-24TL3	854K-24GL3	854K-24BL3
	Red	—	854K-24TL4	854K-24GL4	854K-24BL4
	Amber	—	854K-24TL5	854K-24GL5	854K-24BL5
120V AC	Green	—	854K-10TL3	854K-10GL3	854K-10BL3
	Red	—	854K-10TL4	854K-10GL4	854K-10BL4
	Amber	—	854K-10TL5	854K-10GL5	854K-10BL5
240V AC	Green	—	854K-20TL3	854K-20GL3	854K-20BL3
	Red	—	854K-20TL4	854K-20GL4	854K-20BL4
	Amber	—	854K-20TL5	854K-20GL5	854K-20BL5

(1) No lamp included; must be ordered separately



*Sound Modules*

Sound modules have continuous and pulsing tones selectable via DIP switch. Maximum sound output is 90 dB(A) at 1 m (3.3 ft) and the volume is adjustable.



Sound Module

854K – B 10 SA3  
                   a       b       c

a	
Housing Color	
Code	Description
B	Black

b	
Voltage	
Code	Description
24	24V AC/DC
10	120V AC
20	240V AC

c	
Module Type	
Code	Description
SA3	Single-circuit/single-tone piezo-style steady/pulsing DIP switch selectable

Voltage	Housing Color	Module Type	Cat. No.
24V AC/DC	Black	Single-circuit sounder, single tone	854K-B24SA3
120V AC			854K-B10SA3
240V AC			854K-B20SA3

### Standard Stack Light Bases



854K –  $\frac{B}{a} \frac{VM}{b} \frac{C}{c}$

a	
Housing Color	
Code	Description
B	Black

b	
Base Type <sup>(1)</sup>	
Code	Description
NPT	1/2 in. NPT threading
VM	Vertical mount
SH	Surface mount, preinstalled mounting hardware
SF	Surface mount, external mounting holes
PM10	10 cm (3.9 in.) aluminum pole-mount base
PM25	25 cm (9.8 in.) aluminum pole-mount base
T10	10 cm (3.9 in.) threaded tube (M20)
T25	25 cm (9.8 in.) threaded tube (M20)
DS	Double-sided base <sup>(2)</sup>
Q10	10 cm (3.9 in.) quick-release base
Q25	25 cm (9.8 in.) quick-release base
SFQD5	Flange-style base with M12 (5-pin DC) micro connector <sup>(3) (4) (5) (6) (7)</sup>

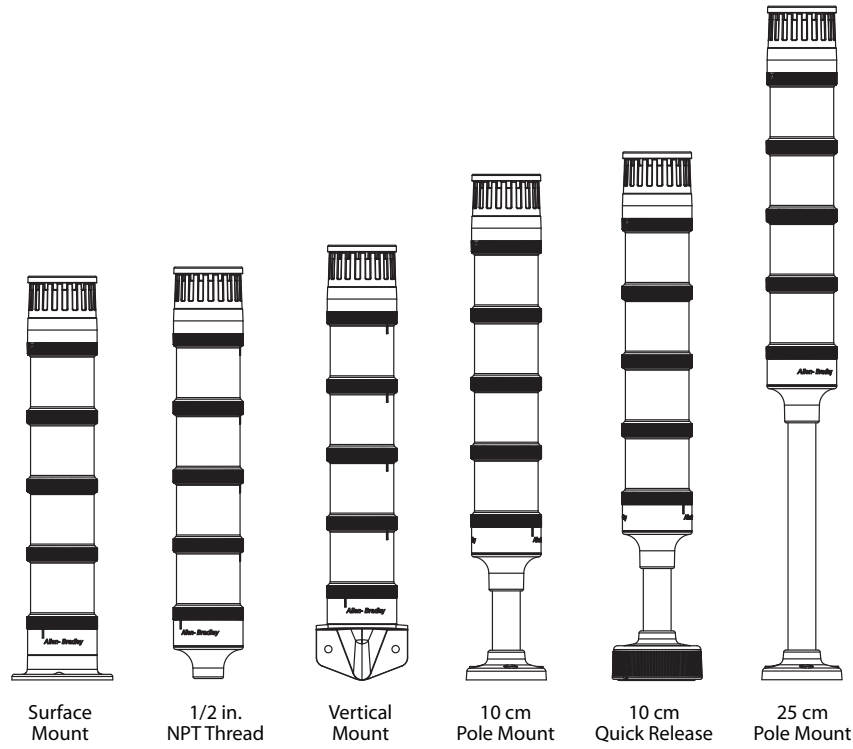
c	
Cap Option	
Code	Description
C	Cap included

- (1) PM10, PM25, T10, T25, Q10, and Q25 bases have powder-coated aluminum tubes.
- (2) Double-sided base can accommodate up to ten modules per base that are divided in two groups up to five levels each.
- (3) For vertical mounting of the base use catalog number 854K-AVM.
- (4) Maximum number of levels that are allowed in the stack is four.
- (5) For use with Bulletin 889D cordsets.
- (6) Cannot be used with 10 cm plastic base extension (catalog number 854K-ABBE).
- (7) Maximum 250V AC/DC UL / 60V AC/DC IEC.

Housing Color	Base Type	Cat. No. <sup>(1)</sup>
Black	1/2 in. NPT thread	854K-BNPTC
	Vertical mount	854K-BVMC
	Surface mount — pre-installed hardware	854K-BSHC
	Surface mount — external mounting holes	854K-BSFC
	10 cm (3.9 in.) aluminum pole mount	854K-BPM10C
	25 cm (9.8 in.) aluminum pole mount	854K-BPM25C
	10 cm (3.9 in.) threaded tube (M20)	854K-BT10C
	25 cm (9.8 in.) threaded tube (M20)	854K-BT25C
	Double-sided base	854K-BDSC
	10 cm (3.9 in.) quick release base	854K-BQ10C
	25 cm (9.8 in.) quick release base	854K-BQ25C
	Flange-style base with M12 (5-pin DC) micro connector	854K-BSFQD5C

(1) All listed bases include a cap.

Preconfigured Tower Lights, 1...5 Modules



854KC – SF B 10 Y 3 L 5 B 3 L 7 Y 6  
 a b c d c d c d c d c d  
 (Level 1, c+d) (Level 2, c+d) (Level 3, c+d) (Level 4, c+d) (Level 5, c+d)

a	
Base Type <sup>(1)</sup>	
Code	Description
NPT	1/2 in. NPT
VM	Vertical mount
SF	Surface mount — external mounting holes
P10	10 cm aluminum pole mount
P25	25 cm aluminum pole mount
Q10	10 cm quick release base
Q25	25 cm quick release base

b	
Voltage	
Code	Description
24	24V AC/DC
10	120V AC

c	
Module Type	
Code	Description
Y	Steady LED
L	Flashing LED
B	Strobe
P	Single-circuit piezo sound module




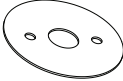


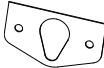


d	
Lens Color/Sound	
Code	Description
1	Sound module <sup>(2)</sup>
3	Green
4	Red
5	Amber
6	Blue
7	Clear
8	Yellow

(1) P10, P25, Q10, and Q25 bases have powder-coated aluminum tubes.







(2) Sound module option can only be selected with Module Type option P (Table c). They must be in the top position of the stack.

Accessories

**Table 84 - Accessories**

	Description	Cat. No.	
	Incandescent Lamps (4 W)	24V AC/DC	854J-L24
		120V AC	854J-L10
		240V AC	854J-L20
	Incandescent lamp removal tool	800T-N82	
	10 cm plastic base extension, black	854K-ABBE	
	O-rings for lenses	854K-ALSG	
	Gasket for SH surface mount bases	854K-ASG2	
	Upper base with terminal block, black	854K-ABUB	
	Cap, black	854K-ABCAP	
	Gasket for vertical mount bases	854K-AVFG	
	Gasket for surface mount base with external mounting holes	854K-ASG4	
	Vertical mounting bracket for flange-style base (Cat. No. 854K-BSFQD5C) or surface mount base (Cat. No. 854K-BSFC)	854K-AVM	

**Table 85 - Replacement Parts**

	Description	Cat. No.
	Mounting Screw Washer Kit Replacement flat washers are used to provide a seal where the mounting screw meets the pole base. (1 kit includes 20 pieces)	855T-AMSG
	Pole Foot Gasket Replacement flat gasket is to be placed between the mounting surface and the pole base bottom foot. (Must order multiples of 5.) For use with Cat. No. 855T-BPM10C and 855T-BPM25C pole bases, Cat. No. 854J-BSFC and 854J-BSFQD5C bases, and Bul. 855T, 855E, 855F, 855D, 854J, and 854K quick release bases.	855T-APFG
	Locking ring for Bulletin 854J, 855D, and 855E quick release bases	855D-ABQLR
	Internal gasket for quick release base (order quantity of one and receive bag of five gaskets)	855D-AQG
	Quick-release mounting base with gasket	855D-AQMB
	Conduit mount adapter for threaded tube base (1/2 in. NPT to M20x1.5)	854J-ACMK
	L-bracket for threaded tube base (vertical mount kit)	854J-ABVM
	Direct mount kit for threaded tube base	854J-ARDM
	Plastic vertical bracket for pole foot, black (can be used with Bul. 855T, 855E, 854K, and 855F pole bases)	854J-ABPB

Specifications

**Table 86 - Mechanical**

Standard Bases		Based on the weight and style of mounting; tower lights are subject to damage from shock and vibration. The following are reference guidelines for maximum acceptable conditions.	
		Shock [G]	Vibration [G]
Surface-mount Base with external holes or 10 cm (3.9 in.) Aluminum Pole Base	1 Module Stack	50	5
	3 Module Stack	50	5
	5 Module Stack	40	5
Vertical Base or 25 cm (9.8 in.) Aluminum Pole Base	1 Module Stack	55	5
	3 Module Stack	55	5
	5 Module Stack	35	5
Recommended Wire Sizes		0.2...1.5 mm <sup>2</sup> (24...16 AWG)	
Recommended Terminal Torque		Screwless terminal blocks	

**Table 87 - Environmental**

Attribute		Value
Ingress Ratings	Light Modules with Cap	UL Type 4/4X/13, IP66
	Sound Modules	UL Type 4/4X/13, IP66
	Surface, Vertical, Tube Mount Bases	UL Type 4/4X/13, IP66
	Pole-mount Bases	UL Type 4/4X/13, IP66
	Flange-style Base with M12 Micro Connector <sup>(1)</sup>	UL Type 4/4X/13, IP66
Temperature Ranges	Operating	-30...+60 °C (-22...+140 °F) For Cat. No. 854J-BSFQD5C only: -30...+45 °C (-22...+113 °F)
	Storage	-30...+85 °C (-22...+185 °F)

(1) UL Type 1 when used with Cat. No. 855K-AVM mounting bracket.

**Table 88 - Materials**

Part	Material
Bases, Caps, Lens Covers, Sound Module Housings, Lenses	Polycarbonate
Lamp Socket	Polycarbonate
Rubber Seals and Gaskets	Nitrile rubber
Pole (for aluminum pole assembly)	Aluminum
Pole Base Footing (for aluminum pole base)	Polycarbonate
Mounting Screw Washers	Polypropylene

**Table 89 - Light Output**

Device		Light Output [mcd]	
		24V AC/DC	120V AC, 240V AC
Strobe LED	Red	4430	3915
	Green	4216	4080
	Amber	4430	3915
	Blue	1673	1619
	White	4464	4320
	Yellow	3715	3283
Steady/Flashing LED	Red	1793	2392
	Green	1714	3400
	Amber	1793	2392
	Blue	680	1349
	White	1814	3600
	Yellow	1503	2006

**Table 90 - Operating Voltage**

Device	Operating Voltage		
	24V AC/DC	120V AC	240V AC
Light modules and sound modules	24V AC/DC (±10%)	110V AC, 50 Hz (±10%) 120V AC, 60 Hz (±10%)	230V AC, 50 Hz (±10%) 240V AC, 60 Hz (±10%)

**Table 91 - Lamp Life Ratings (Design Life) Average Life Under Static, No Vibration, Conditions**

Device	Lamp Life Rating		
	24V AC/DC	120V AC	240V AC
LED Modules	50,000 hr		
Sound modules	20,000 hr		

**Table 92 - Current Consumption**

Device		Current Consumption [mA]		
		24V AC/DC	120V AC	240V AC
Light only modules	Steady LED	22 (red, amber, and yellow) 33 (green, blue, and white)	30 (red, amber, and yellow) 29 (green, blue, and white)	
	Flashing LED	28 (red, amber, and yellow) 36 (green, blue, and white)	30 (red, amber, and yellow) 29 (green, blue, and white)	
	Strobe LED	35 (red, amber, and yellow) 65 (green, blue, and white)	10	
Sound modules	Single-tone	65	31	32

**Table 93 - Flashing Frequency (Light Only Modules)**

Device	Flashing Frequency
Flashing LED Modules	Approximately 1.5 Hz; Time On/Time OFF = 1:1
LED Strobe Modules	Approximately 2 Hz (flash duration 1/50,000 second)

**Table 94 - Tone Frequency**

Attribute	Value
Tone Frequency	Preset at 2500 Hz

**Table 95 - Decibel Rating (Sound Modules) <sup>(1)</sup>**

Device	Decibel Rating
Single-tone Sound Module (SA3)	Maximum volume output is 80 dB(A) (non-adjustable)

(1) All dB(A) ratings are determined at a distance of 1 m (3.3 ft) from the sound module.

**Table 96 - Leakage Current Impact**

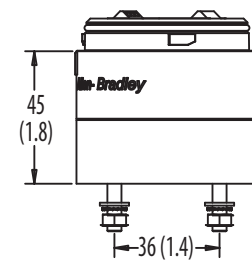
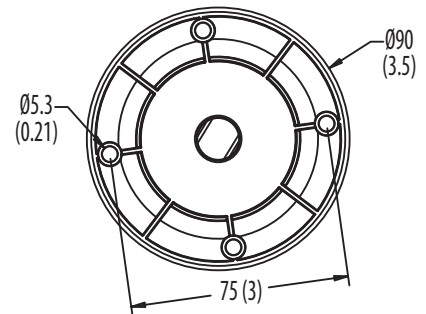
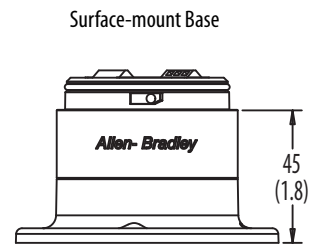
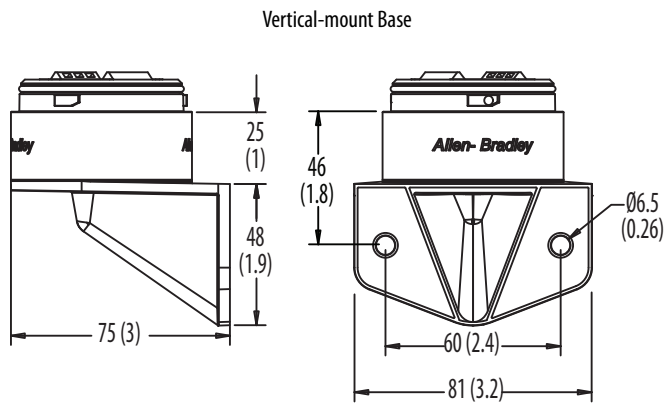
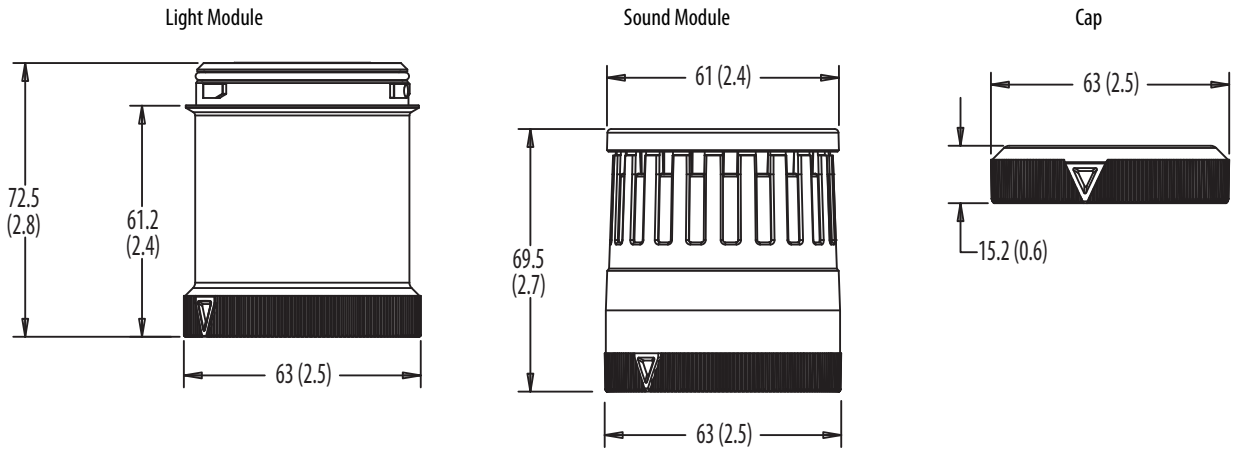
All light and sound modules can absorb up to 3 mA of leakage current from solid-state outputs without module activation.

**Table 97 - Standards and Certifications**

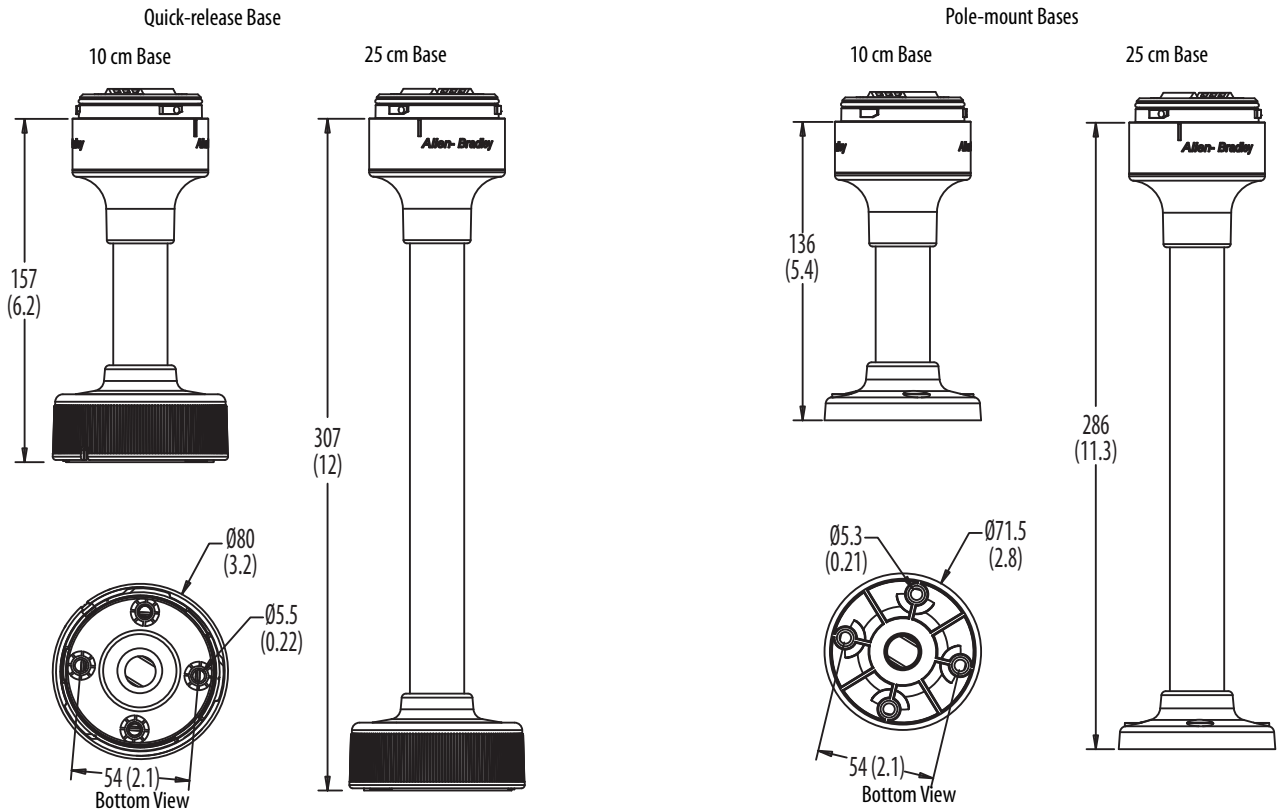
Attribute	Bulletin 854K — 60 mm Control Tower Stack Lights
Standards Compliance	<ul style="list-style-type: none"> <li>• UL 508</li> <li>• CSA C22.2 No. 14</li> <li>• EN/IEC 60947-1</li> <li>• EN/IEC 60947-5-1</li> </ul>
Certifications	<ul style="list-style-type: none"> <li>• c-UL-us Listed (File No. E14840, Guides NKCR, NKCR7)</li> <li>• CE Marked</li> <li>• RoHS Compliant</li> </ul>

*Approximate Dimensions*

Dimensions in millimeters (inches). Dimensions are not intended to be used for manufacturing purposes.

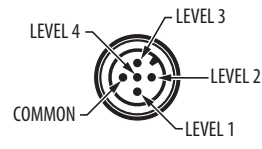
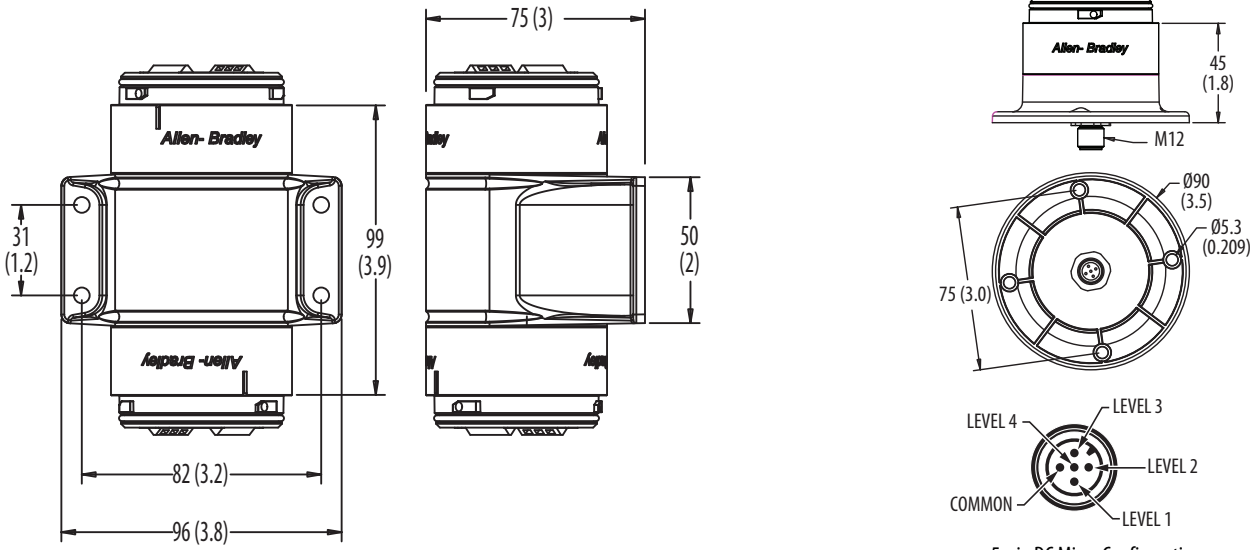


Dimensions in millimeters (inches). Dimensions are not intended to be used for manufacturing purposes.

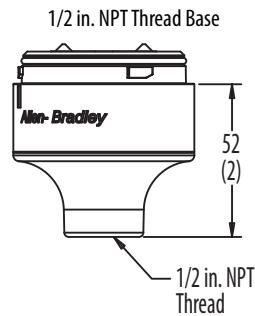


Double-sided Base

Flange-style Base with M12 Micro Connector (Male)



5-pin DC Micro Configuration





## Bulletin 855E/855T Control Tower Stack Lights

This product line includes 50 mm (855E) and 70 mm (855T) stack lights.

### Bulletin 855E — 50 mm Control Tower Stack Lights

These devices are designed to communicate application status, alerting you to critical equipment and system needs on the plant floor. They can be preassembled to save time or ordered as separate light and sound modules for customized field assembly.

#### Light Modules

855E – 10 FN 4  
                   a       b       c



Flashing Incandescent

a	
Voltage	
Code	Description
00	0...250V AC/DC (no lamp module) <sup>(1)</sup>
12	12V AC/DC
24	24V AC/DC
10	120V AC
20	240V AC

b	
Light Module Type	
Code	Description
XN	Steady no lamp <sup>(1)</sup>
DN	Steady incandescent
FN	Flashing incandescent
TL	Steady socket-mount LED
GL	Flashing socket-mount LED
BL	Strobe

c	
Lens Color	
Code	Description
3	Green
4	Red
5	Amber
6	Blue
7	Clear
8	Yellow

(1) Can only be selected with module type XN, voltage code 00. Accepts socket mount incandescent lamp types only.

#### Sound Modules

Sound modules have continuous and pulsing tones. Maximum sound output is 103 dB at 1 m (3.3 ft). A reduced volume setting is available by changing the position of the volume DIP switch, which produces a sound output of 88 dB(A) at 1 m (3.3 ft). Maximum sound output is 80 dB(A) at 1 m (3.3 ft).



Black Two-tone Sound Module

855E – B 10 TA3  
                   a       b       c

a	
Housing Color	
Code	Description
B	Black
G	Gray

b	
Voltage	
Code	Description
12	12V AC/DC
24	24V AC/DC
10	120V AC
20	240V AC

c	
Module Type	
Code	Description
SA3	Single circuit/single tone piezo style steady/pulsing DIP switch selectable
TA3	Two circuit/two-tone piezo style steady/pulsing DIP switch selectable

Standard Stack Light Bases



Surface-mount Base with Cap



Vertical-mount Base with Cap



Pole-mount Bases



Quick-release Base

855E –  $\frac{B}{a}$   $\frac{VM}{b}$   $\frac{C}{c}$

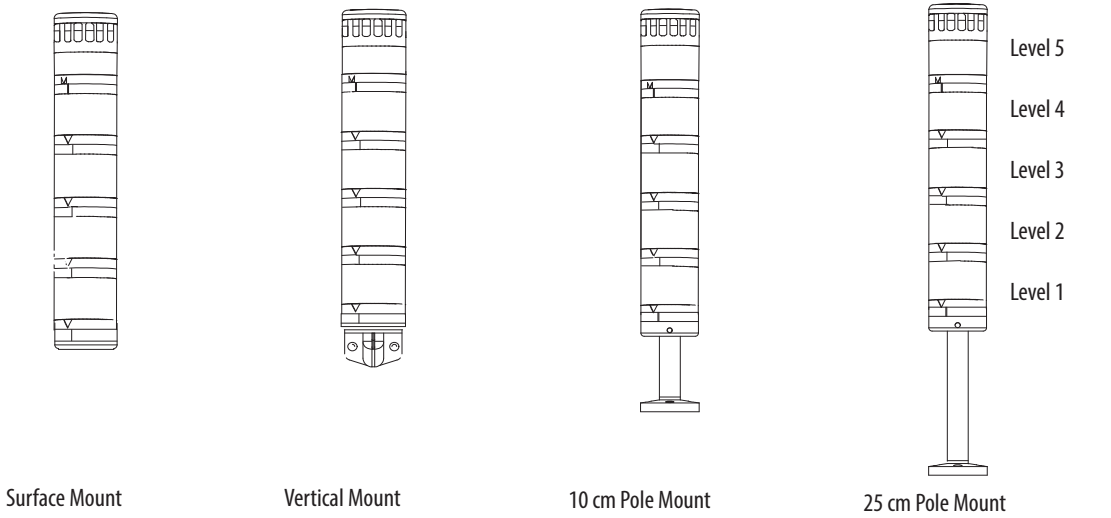
a	
Housing Color	
Code	Description
B	Black
G	Gray

b	
Base Type	
Code	Description
CB	Surface mount with 1/2 in. NPT threading
RB	Surface mount with M20 metric threading
SB	Surface mount with PG16 threading
TM	25 mm (0.98 in.) tube mount
VM	Vertical mount
PM10	10 cm (3.9 in.) aluminum pole-mount base
PM25	25 cm (9.8 in.) aluminum pole-mount base
PM40	40 cm (15.7 in.) aluminum pole-mount base
PM60	60 cm (23.6 in.) aluminum pole-mount base
PM80	80 cm (31.5 in.) aluminum pole-mount base
MM10	10 cm (3.9 in.) quick-release base
MM25	25 cm (9.8 in.) quick-release base
MM40	40 cm (15.7 in.) quick-release base

c	
Cap Option <sup>(1)</sup>	
Code	Description
Blank	No cap
C	Cap included

(1) Quick-release bases always include a cap.

Pre-configured Tower Lights, 1...5 Modules



855 EC — B 10 Y 3 L 5 B 3 F 7 Y 6  
 a b c d e d e d e d e d e  
 (Level 1, d+e) (Level 2, d+e) (Level 3, d+e) (Level 4, d+e) (Level 5, d+e)

a	
Base Type	
Code	Description
EC	Surface mount - 1/2 in. NPT threading
ES	Surface mount - PG16
EV	Vertical mount
EM	25 mm tube mount
EP	10 cm (3.9 in.) pole mount
EE	25 cm (9.8 in.) pole mount

b	
Base & Cap Color	
Code	Description
B	Black
G	Gray



c	
Voltage	
Code	Description
12	12V AC/DC
24	24V AC/DC
10	120V AC
20	240V AC

d	
Module Type	
Code	Description
D	Steady incandescent
F	Flashing incandescent
Y	Steady LED
L	Flashing LED
B	Strobe
P	Single-circuit piezo sound module
Q	Two-circuit piezo sound module <sup>(1)</sup>


e	
Lens Color/Sound	
Code	Description
1	Sound module <sup>(2)</sup>
3	Green
4	Red
5	Amber
6	Blue
7	Clear
8	Yellow

(1) If the two-circuit sound module (option Q in Table **d**) is selected, the maximum number of light modules that are allowed is three.  
 (2) Sound module option can only be selected with Module Type option P or Q in Table **d**. They must be in the top position of the stack.

Accessories — Bulletin 855E/855T

	Description		Cat. No.
 (BA15d Bayonet) 19 mm Socket Height	Incandescent Lamps	12V AC/DC	855T-L12
		24V AC/DC	855T-L24
		120V AC	855T-L10
		240V AC	855T-L20
	LED Lamps for Socket-Mounted Modules (For Industrial Use Only)		<b>Color</b>
	12V AC/DC	Red	855E-LL12R
		Green	855E-LL12G
		Amber	855E-LL12A
		Blue	855E-LL12B
		Yellow	855E-LL12Y
		White <sup>(1)</sup>	855E-LL12W
	24V AC/DC	Red	855E-LL24R
		Green	855E-LL24G
		Amber	855E-LL24A
		Blue	855E-LL24B
		Yellow	855E-LL24Y
		White <sup>(1)</sup>	855E-LL24W
	120V AC	Red	855E-LL10R
		Green	855E-LL10G
		Amber	855E-LL10A
		Blue	855E-LL10B
		Yellow	855E-LL10Y
		White <sup>(1)</sup>	855E-LL10W
	240V AC	Red	855E-LL20R
		Green	855E-LL20G
		Amber	855E-LL20A
		Blue	855E-LL20B
		Yellow	855E-LL20Y
White <sup>(1)</sup>		855E-LL20W	







(1) White LED lamps are to be used with a clear lens option.

	Description	Color	Cat. No.
	Caps (top of stack) The cap is installed to the top of the uppermost light module. No cap is needed if the top module is a sound module, or a light/with sound module.	Black	855E-ABCAP <sup>(1)</sup>
		Gray	855E-AGCAP <sup>(1)</sup>
		Black	855T-ABCAP <sup>(2)</sup>
		Gray	855T-AGCAP <sup>(2)</sup>
	Module Securing Screws (Bag of 5)		855E-ASC <sup>(1)</sup>

(1) For use with Bulletin 855E Control Tower™ stack lights only.

(2) For use with Bulletin 855T Control Tower stack lights only.

**Table 98 - Gaskets**

	Description	Cat. No.
	Lens O-ring Seal Replacement rubber O-rings are to be installed between all bases, light, sound, and light/with sound modules. (Package quantity = 5)	855E-ALSG <sup>(1)</sup>
		855T-ALSG <sup>(2)</sup>
	Surface Mount Gasket Replacement flat gasket is to be placed between the mounting surface and the surface mount base. (Package quantity = 5)	855E-ASFG <sup>(3)</sup>
		855T-ASFG <sup>(4)</sup>
	Pole Foot Gasket Replacement flat gasket is to be placed between the mounting surface and the pole base bottom foot. (Must order multiples of 5.) For use with Cat. No. 855T-BPM10C and 855T-BPM25C pole bases, Cat. No. 854J-BSFC and 854J-BSFQD5C bases, and Bul. 855T, 855E, 855F, 855D, 854J, and 854K quick release bases.	855T-APFG
	Vertical Mount Gasket Replacement flat gasket is to be placed between the mounting surface and the vertical mount base (Cat. No. 854J-BVMC). (Package quantity = 5)	855T-AVFG
	Tube Mount Gasket Replacement O-ring gasket is to be placed in the tube mount pole opening before the tube is installed (BTM- and GTM- type bases). (Package quantity = 5)	855T-AVTG
	Mounting Screw Washer Kit Replacement flat washers are used to provide a seal where the mounting screw meets the pole base. (1 kit includes 20 pieces) (Package quantity = 20)	855T-AMSG






(1) For use with Bulletin 855E Control Tower stack lights only.

(2) For use with Bulletin 855T Control Tower stack lights only.

(3) For use with Bulletin 855E Control Tower stack lights (SB, RB, & CB bases) only.



(4) For use with Bulletin 855T Control Tower stack lights (BSB and BCB bases) only.

**Table 99 - Pole Connection Boxes<sup>(1)</sup>, Hole Plugs, and Cable Glands**

	Description	Cat. No.
	Black surface mount with PG16 threaded side entrance	855T-BSMP
	Black surface mount with M20 threaded side entrance	855T-BSMR
	Black vertical mount with PG16 threaded side entrance	855T-BVMP
	Black vertical mount with M20 threaded side entrance	855T-BVMR
	Black magnetic mount with PG16 threaded side entrance	855T-BMMP
	Black magnetic mount with M20 threaded side entrance	855T-BMMR
	Black magnetic mount with 1/2 in. NPT threaded side entrance	855T-BMMN
	Black PG16 threaded hole plug	855T-ABUP
	Black M20 threaded hole plug	855T-ABUR
	Black PG16 threaded cable gland	855T-ABCP
	Black M20 threaded cable gland	855T-ABCR
	Black 1/2 in. NPT sealing connector	855T-ABHN
	Mounting Screws (M5 x 40 screws) for mounting Pole Mount Base to Pole Connection Box	855T-AJBS

(1) For use with Bulletin 855E and 855T pole mount bases, except for stainless steel and quick release base types.

**Table 100 - Mounting Kits**

	Description	Cat. No.
	Vertical Mount Kit Kit includes vertical bracket and set of three sealing washers. For use with 855E surface mount base.	855E-AVM
	Vertical Mount Kit Kit includes vertical bracket and set of three sealing washers. For use with 855T and 855E pole mount base and for use with 855T surface mount base.	855T-AVM

Specifications

**Table 101 - Mechanical**

Standard Bases		Based on the weight and style of mounting; tower lights are subject to damage from shock and vibration. The following are reference guidelines for maximum acceptable conditions.	
		Shock [G]	Vibration [G]
Surface-mount Base or 10 cm Aluminum Pole Base	One module stack	150	5
	Three module stack	45	1.5
	Five module stack	35	0.75
Vertical Base or 25 cm Aluminum Pole Base	One module stack	95	3.5
	Three module stack	30	1.25
	Five module stack	20	0.5
Recommended Wire Sizes		0.5...1.5 mm <sup>2</sup> (22...16 AWG)	
Recommended Terminal Torque		0.87 N·m (7 lb·in)	

**Table 102 - Environmental**

Attribute		Value
Ingress Ratings	Light Modules with Cap	UL Type 4/4X/13, IP66
	Sound Modules	UL Type 4/4X/13, IP66
	Surface, Vertical, Tube Mount Bases	UL Type 4/4X/13, IP66
	Pole-mount Bases	UL Type 4/4X/13, IP66
	Flange-style Base with M12 Micro Connector <sup>(1)</sup>	UL Type 4/4X/13, IP66
Temperature Ranges	Operating	-25...+50 °C (-13...+122 °F)
	Storage	-40...+85 °C (-40...+185 °F)

(1) UL Type 1 when used with Cat. No. 855T-AVM mounting bracket.

**Table 103 - Materials**

Part	Material
Bases, Caps, Lens Covers, Sound Module Housings, Lenses	Polycarbonate
Lamp Socket	Polycarbonate
Rubber Seals and Gaskets	Nitrile rubber
Pole (for aluminum pole assembly)	Aluminum
Pole Base Footing (for aluminum pole base)	Polycarbonate
Insulation Sleeve (for pole insulation)	Polyolefin
Mounting Screw Washers	Polypropylene

**Table 104 - Light Output**

Device	Light Output			
	12V AC/DC	24V AC/DC	120V AC	240V AC
Steady Incandescent	0.5 MSCP	2.5 MSCP	3.0 MSCP	0.49 MSCP
Flashing Incandescent	6.3 Lumens	31.4 Lumens	37.7 Lumens	6.2 Lumens
Strobe	1 J per lamp			
Steady, Flashing Socket Mount LED	Red	900...2240 mcd		
	Green	900...1800 mcd		
	Amber	1400...3550 mcd		
	Blue	224...560 mcd		
	White and Yellow	900...1800 mcd		

**Table 105 - Operating Voltage**

Device	Operating Voltage			
	12V AC/DC	24V AC/DC	120V AC	240V AC
Light modules and sound modules	12V AC/DC (±10%)	24V AC/DC (±10%)	110V AC, 50 Hz (±10%) 120V AC, 60 Hz (±10%)	230V AC, 50 Hz (±10%) 240V AC, 60 Hz (±10%)

**Table 106 - Lamp Life Ratings (Design Life) Average Life Under Static, No Vibration, Conditions**

Device	Lamp Life Rating			
	12V AC/DC	24V AC/DC	120V AC	240V AC
Incandescent Modules <sup>(1) (2)</sup>	8000 hr	7000 hr	3000 hr	1600 hr
LED Modules	100,000 hr			
Strobe Modules	15,000 hr			
Sound Modules	20,000 hr			

(1) First failures at about 35% of average life. Severe vibration can reduce life to 44% of average life.

(2) Flashing applications can reduce life to 50% of average life.

**Table 107 - Current Consumption**

Device	Current Consumption [mA]			
	24V AC/DC	120V AC	240V AC	
Light only modules	Steady LED	22 (red, amber, and yellow) 33 (green, blue, and white)	30 (red, amber, and yellow) 29 (green, blue, and white)	
	Flashing LED	28 (red, amber, and yellow) 36 (green, blue, and white)	30 (red, amber, and yellow) 29 (green, blue, and white)	
	Strobe LED	35 (red, amber, and yellow) 65 (green, blue, and white)	10	
Sound modules	Single-tone	65	31	32

**Table 108 - Flashing and Tone Frequency**

Attribute	Value
<b>Flashing Frequency (Light Only Modules)</b>	
Flashing Incandescent Modules	12V module approximately 1.5 Hz 24V, 120V, and 240V modules approximately 2 Hz Time ON/Time OFF = 1:1
Flashing LED Modules	Approximately 1.5 Hz; Time On/Time OFF = 1:1
LED Strobe Modules	Approximately 2 Hz (flash duration 1/50,000 second)
<b>Flashing and Tone Frequency (Light Modules/with Sound Set at Continuous Tone)</b>	
Tone Frequency	Tone frequency is preset at 2800 Hz
<b>Flashing and Tone Pulsing Frequencies (Light Modules/with Sound Set at Pulsing Tone)</b>	
Tone Frequency	Tone frequency is preset at 2800 Hz

**Table 109 - Decibel Rating (Sound Modules) <sup>(1)</sup>**

Device	Decibel Rating
Single-tone Sound Module (SA3)	Maximum volume ranges from 88 dB(A) or 103 dB(A) (volume adjustable by DIP switch)
Two-tone Sound Module (TA3)	

(1) All dB(A) ratings are determined at a distance of 1 m (3.3 ft) from the sound module.

**Table 110 - Leakage Current Impact**

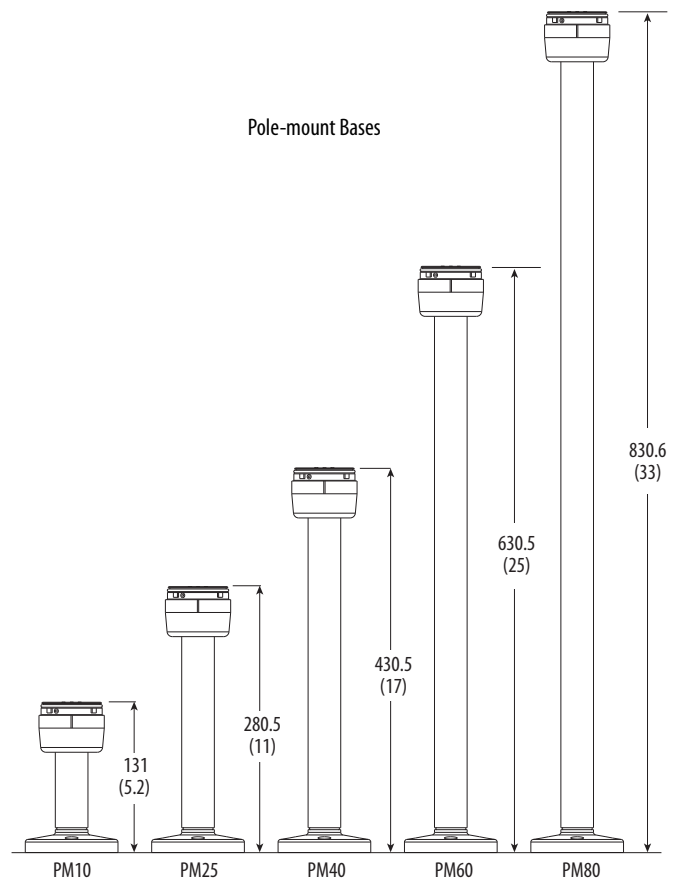
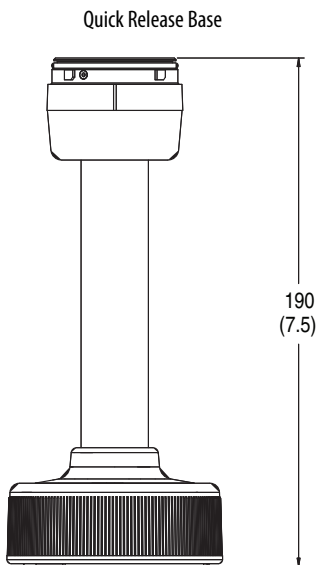
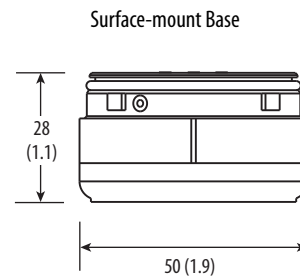
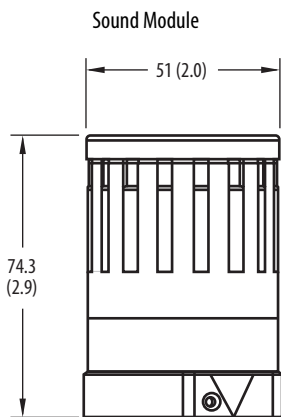
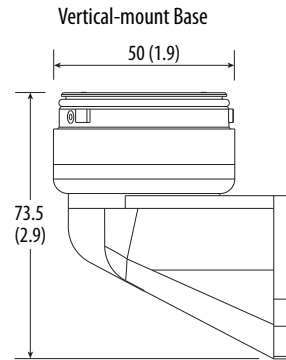
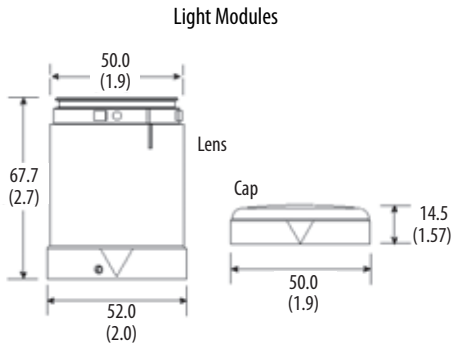
All light and sound modules can absorb up to 3 mA of leakage current from solid-state outputs without module activation.

**Table 111 - Standards and Certifications**

Attribute	Bulletin 855E — 50 mm Control Tower Stack Lights
Standards Compliance	<ul style="list-style-type: none"> <li>• UL 508</li> <li>• CSA C22.2 No. 14</li> <li>• EN/IEC 60947-1</li> <li>• EN/IEC 60947-5-1</li> </ul>
Certifications	<ul style="list-style-type: none"> <li>• c-UL-us Listed (File No. E14840, Guides NKCR, NKCR7)</li> <li>• CE Marked</li> </ul>

*Approximate Dimensions*

Dimensions in millimeters (inches). Dimensions are not intended to be used for manufacturing purposes.





## Bulletin 855T — 70 mm Control Tower Stack Lights

These devices are designed to communicate application status, alerting you to critical equipment and system needs on the plant floor. They can be preassembled to save time or ordered as separate light and sound modules for customized field assembly.

### Light Modules



Red Flashing Incandescent (Black Housing)

855T —   B     10     FN     4    
           a      b      c      d

a	
Housing Color	
Code	Description
B	Black
G	Gray

b	
Voltage	
Code	Description
00	0...250V AC/DC (use only with module code XN)
12	12V AC/DC
24	24V AC/DC
10	120V AC
20	240V AC

c	
Light Module Type	
Code	Description
XN	Steady no lamp <sup>(1)</sup>
DN	Steady incandescent
FN	Flashing incandescent
TL	Steady LED
GL	Flashing LED
RL	Rotating LED, simulated with fixed LEDs <sup>(2)</sup>
BR	Strobe

d	
Lens Color	
Code	Description
3	Green
4	Red
5	Amber
6	Blue
7	Clear
8	Yellow

(1) Use only with Voltage Code 00. Accepts LED module or incandescent lamp.

(2) Only available with Voltage Codes 10 or 24, and Color Codes 3, 4, or 5.

### Combined Light Modules with Piezo Sounder

All single-circuit modules contain a selected light option with a sound device that operates simultaneously. All two-circuit modules contain two circuits that allow for separate operation of light or sound. The piezo-style sound modules can be switched to pulsing or continuous sound with a DIP switch. Additionally, the volume can be adjusted to either low (92 dB(A)) or high (107 dB(A)), via a DIP switch. UL Type 4/4X/13, IP65.



Combination Module

855T –  B   10   DC   3   
           a       b       c       d

a	
Housing Color	
Code	Description
B	Black
G	Gray

b	
Voltage	
Code	Description
12	12V AC/DC
24	24V AC/DC
10	120V AC
20	240V AC

c	
Combined Module Type <sup>(1) (2)</sup>	
Code	Description
DC	Steady incandescent with sound
DD	Two-circuit steady incandescent with sound
FC	Flashing incandescent with sound
TC	Steady LED with sound
GC	Flashing LED with sound
BC	Strobe with sound

d	
Lens Color	
Code	Description
3	Green
4	Red
5	Amber
6	Blue
7	Clear
8	Yellow

(1) The single-circuit combined light/with sound module uses one circuit in a stack. It can be used with a maximum of four light modules and must be placed in the top position of a stack.  
 (2) The two-circuit combined light/with sound module uses two circuits in a stack. It can be used with a maximum of three light modules and must be placed in the top position of a stack.

### Transducer-style Sound Modules

- UL Type 12, IP54
- Adjustable volume from 85...103 dB at 1 m (3.3 ft)
- Up to 15 tones
- Adjustable frequency and speed tone



Sound Module

855T –  B   10   SA1   
           a       b       c

a	
Housing Color	
Code	Description
B	Black
G	Gray

b	
Voltage	
Code	Description
12	12V AC/DC
24	24V AC/DC
10	120V AC
20	240V AC

c	
Module Type	
Code	Description
SA1	Single-tone sound module with 13 different tones <sup>(1)</sup>
TA1	Dual-tone sound module with 15 sets of dual-tone combinations <sup>(2)</sup>

(1) This module uses one circuit in a stack. It can be used with maximum of any four light modules and must be placed on top of stack.  
 (2) This module uses two circuits in a stack. It can be used with a maximum of any three light modules and must be placed on top of stack.

### Piezo-style Sound Modules

- Single- or dual-circuit versions
- High/low volume selectable via DIP switch

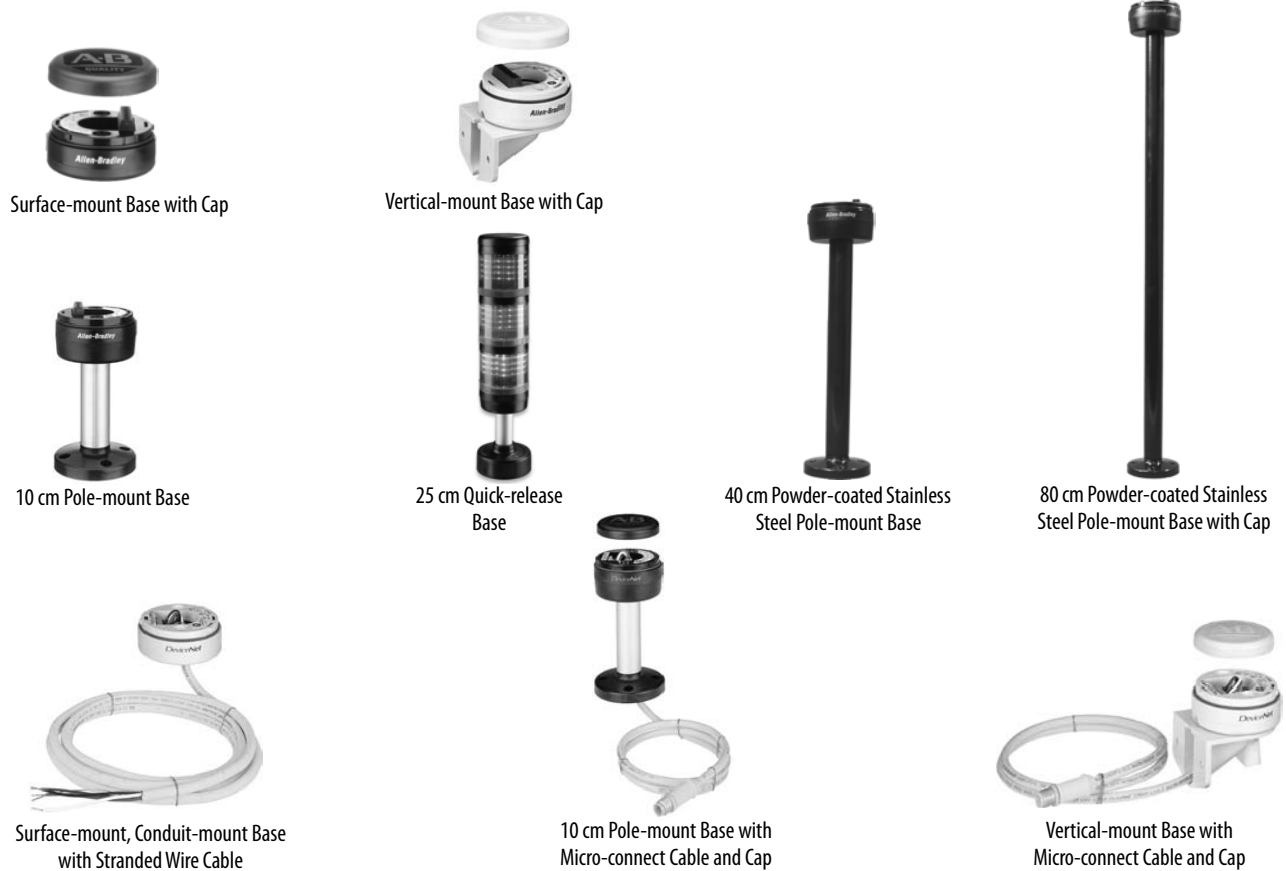
855T – G 24 TA2  
                   a      b      c

a	
Housing Color	
Code	Description
B	Black
G	Gray

b	
Voltage	
Code	Description
12	12V AC/DC
24	24V AC/DC
10	120V AC
20	240V AC

c	
Module Type	
Code	Description
SA2	<ul style="list-style-type: none"> <li>• Single-tone/single-circuit piezo-style module with continuous or pulsing tones (modified by a DIP switch)</li> <li>• Type 12</li> <li>• Volume 97 dB or 85 dB @ 1 m (3.3 ft)</li> </ul>
TA2	<ul style="list-style-type: none"> <li>• Dual-tone/dual-circuit piezo-style module with continuous or pulsing tone (modified by energizing one or two circuits of sound modules)</li> <li>• Type 12</li> <li>• Volume 97 dB or 85 dB @ 1 m (3.3 ft)</li> </ul>
SA3	<ul style="list-style-type: none"> <li>• Single-circuit piezo-style module with continuous or pulsing tones (modified by a DIP switch)</li> <li>• Type 4/4X/13</li> <li>• Volume 107 dB or 92 dB @ 1 m (3.3 ft)</li> </ul>
TA3	<ul style="list-style-type: none"> <li>• Dual-circuit piezo-style module with continuous or pulsing tone (modified by energizing one or two circuits of sound modules)</li> <li>• Type 4/4X/13</li> <li>• Volume 107 dB or 92 dB @ 1 m (3.3 ft)</li> </ul>

Standard and DeviceNet™ Stack Light Bases



855T — DL1 B PM10 C  
a b c c

a	
Network Connection Type	
Code	Description
Blank	No network connection
DM1	DeviceNet micro-connect with 1 m (3.3 ft) cable <sup>(1)</sup>
DS2	DeviceNet stranded wire connect with 2 m (6.6 ft) cable <sup>(1)</sup>
DL1	DeviceNet mini-connect with 1 m (3.3 ft) cable <sup>(1)</sup>

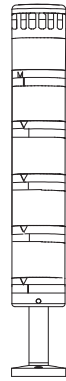
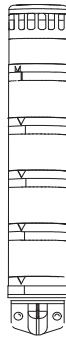
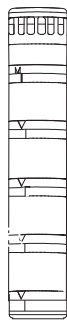
b	
Housing Color	
Code	Description
B	Black
G	Gray

c	
Base Type	
Code	Description
CB	Surface mount—1/2 in. NPT conduit mount
SB	Surface mount — PG16 conduit mount
RB	Surface mount — M20 x 1.5 conduit mount
VM	Vertical mount
TM	25 mm diameter tube mount
PM10	10 cm (3.9 in.) aluminum pole mount base
PM25	25 cm (9.8 in.) aluminum pole mount base
PM40	40 cm (15.7 in.) aluminum pole mount base
SPM10	10 cm (3.9 in.) stainless steel pole mount <sup>(2)</sup>
SPM25	25 cm (9.8 in.) stainless steel pole mount <sup>(2)</sup>
SPM40	40 cm (15.7 in.) stainless steel pole mount <sup>(2)</sup>
SPM60	60 cm (23.6 in.) stainless steel pole mount <sup>(2)</sup>
SPM80	80 cm (31.5 in.) stainless steel pole mount <sup>(2)</sup>
MM10	10 cm (3.9 in.) quick release base
MM25	25 cm (9.8 in.) quick release base
MM40	40 cm (15.7 in.) quick release base

d	
Cap Option	
Code	Description
Blank	No cap
C	Cap included

(1) DeviceNet bases DL1, DM1, or DS2 can only be used with 24V AC/DC and they are only available with Base Types CB, SB, VM, TM, PM10, or PM25.  
 (2) Stainless steel tube is powder-coated in black.

Pre-configured Control Tower Lights, 1...5 Modules



Surface Mount

Vertical Mount

10 cm Pole Mount

25 cm Pole Mount

855	<b>TS</b>	—	<b>DL1</b>	<b>B</b>	<b>24</b>	<b>Y</b>	<b>4</b>	<b>L</b>	<b>5</b>	<b>B</b>	<b>3</b>	<b>F</b>	<b>7</b>	<b>Y</b>	<b>6</b>
	a		b	c	d	e	f	e	f	e	f	e	f	e	f
						(Level 1, e+f)		(Level 2, e+f)		(Level 3, e+f)		(Level 4, e+f)		(Level 5, e+f)	

a	
Base Type	
Code	Description
TC	Surface mount 1/2 in. NPT conduit
TS	Surface mount PG16 conduit
TV	Vertical mount
TP	10 cm (3.9 in.) pole mount
TE	25 cm (9.8 in.) pole mount
TM	25 mm diameter tube mount

b	
Network Options <sup>(1)</sup>	
Code	Description
Blank	Standard
DL1	DeviceNet mini-connect with 1 m (3.3 ft) cable
DM1	DeviceNet micro-connect with 1 m (3.3 ft) cable
DS2	DeviceNet stranded wire connect with 2 m (6.6 ft) cable

c	
Housing Color	
Code	Description
B	Black
G	Gray

(1) DeviceNet bases DL1, DM1, or DS2 can only be used with 24V AC/DC.

d	
Voltage	
Code	Description
12	12V AC/DC
24	24V AC/DC
10	120V AC
20	240V AC

e	
Module Type	
Code	Description
D	Steady incandescent
F	Flashing incandescent
Y	Steady LED
L	Flashing LED
B	Strobe
T	Steady incandescent with sound <sup>(1)</sup>
H	Flashing incandescent with sound <sup>(1)</sup>
J	Dual-circuit steady incandescent with sound
E	Steady LED with sound <sup>(1)</sup>
G	Flashing LED with sound <sup>(1)</sup>
Z	Strobe with sound <sup>(1)</sup>
A	Transducer single-circuit sounder UL Type 12, IP54 <sup>(1)</sup>
W	Transducer dual-circuit sounder UL Type 12, IP54 <sup>(1)</sup>
P	Single-circuit piezo alarm
Q	Dual-circuit piezo alarm

f	
Lens Color/Sound	
Code	Description
1	Sound module <sup>(2)</sup>
3	Green
4	Red
5	Amber
6	Blue
7	Clear
8	Yellow

(1) Only one sound module or light module/with sound can be assembled per stack. These modules must be placed in the top position.

(2) Sound module from Table f can only be selected with single-tone or two-tone module types from Table e.

Accessories

See [Accessories — Bulletin 855E/855T](#) on page 72.

Specifications

**Table 112 - Mechanical**

Attribute		Based on the weight and style of mounting; tower lights are subject to damage from shock and vibration. The following are reference guidelines for maximum acceptable conditions.		
		Shock [G]	Vibration [G]	
Standard Bases	Surface-mount Base or 10 cm (3.9 in.) Aluminum Pole Base	One module stack	150	5
		Three module stack	45	1.5
		Five module stack	35	0.75
	Vertical Base or 25 cm (9.8 in.) Aluminum Pole Base	One module stack	95	3.5
		Three module stack	30	1.25
		Five module stack	20	0.5
DeviceNet Bases	Surface-mount Base or 10 cm (3.9 in.) Aluminum Pole Base	One module stack	50	5
		Three module stack	45	1.5
		Five module stack	35	0.75
	Vertical Base or 25 cm (9.8 in.) Aluminum Pole Base	One module stack	50	3.5
		Three module stack	30	1.25
		Five module stack	20	0.5
Recommended Wire Sizes		0.5...2.5 mm <sup>2</sup> (22...14 AWG)		
Recommended Terminal Torque		0.8 N•m (7 lb•in)		

**Table 113 - Environmental**

Attribute		Value
Ingress Ratings	Light Modules with Cap and combined Light/Sound Modules	UL Type 4/4X/13, IP65
	Sound Modules (SA1, SA2, TA1, TA2)	UL Type 12, IP54
	Sound Modules (SA3, TA3)	UL Type 4/4X/13, IP65
	Surface, Vertical, Tube Mount, and On-Machine™ Bases	UL Type 4/4X/13, IP65
	Pole-mount Bases (Aluminum)	UL Type 4/13, IP65
	Pole-mount Bases (Stainless Steel)	UL Type 4/4X/13, IP65
Temperature Ranges	Operating	-25...+70 °C (-13...+158 °F)
	Storage	-40...+85 °C (-40...+185 °F)

**Table 114 - Materials**

Part	Material
Bases, Caps, Lens Covers, Sound Module Housings, Lenses, Lamp Sockets	Polycarbonate
Rubber Seals and Gaskets	Nitrile rubber
Pole (for aluminum pole assembly)	Aluminum
Pole Base Footing (for aluminum pole base)	Polycarbonate
Pole (for stainless steel assembly)	Powder-coated stainless steel
Pole Base Footing (for stainless steel pole base)	Zinc
Insulation Sleeve (for pole insulation)	Polyolefin
Surface and Vertical-mount Pole Connection Box and Magnetic Mount Housing	Polycarbonate
Mounting Screw Washers	Polypropylene
DeviceNet Base Grommet	Neoprene®
DeviceNet Cable Jackets	CPR Chlorinated Polyethylene
DeviceNet Cable Connectors	Santoprene®

**Table 115 - Light Output**

Device		Light Output			
		12V AC/DC	24V AC/DC	120V AC	240V AC
Steady Incandescent		0.5 MSCP	2.5 MSCP	3.0 MSCP	0.49 MSCP
Flashing Incandescent		6.3 Lumens	31.4 Lumens	37.7 Lumens	6.2 Lumens
Strobe		3 J per lamp			
Steady/Flashing Socket Mount LED	Red	900...2240 mcd			
	Green	900...1800 mcd			
	Amber	1400...3550 mcd			
	Blue	224...560 mcd			
	White and Yellow	900...1800 mcd			

**Table 116 - Operating Voltage**

Device	Operating Voltage			
	12V AC/DC	24V AC/DC	120V AC	240V AC
Light modules and sound modules	12V AC/DC (±10%)	24V AC/DC (±10%)	110V AC, 50 Hz (±10%) 120V AC, 60 Hz (±10%)	230V AC, 50 Hz (±10%) 240V AC, 60 Hz (±10%)

**Table 117 - Lamp Life Ratings (Design Life) Average Life Under Static, No Vibration, Conditions**

Device	Lamp Life Rating			
	12V AC/DC	24V AC/DC	120V AC	240V AC
Incandescent Modules <sup>(1) (2)</sup>	8000 hr	7000 hr	3000 hr	1600 hr
LED Modules	100,000 hr			
Strobe Modules	15,000 hr			
Sound Modules	20,000 hr			

(1) First failures at about 35% of average life. Severe vibration can reduce life to 44% of average life.

(2) Flashing applications can reduce life to 50% of average life.

**Table 118 - Current Consumption**

Device		Current Consumption [mA]			
		12V AC/DC	24V AC/DC	120V AC	240V AC
Light only modules	Steady Incandescent	208	271	58	23
	Steady or Flashing LED	42	29	21	20
	Strobe	240	170	50	35
Light modules with sound	Steady Incandescent/with Sound	218	281	78	43
	Flashing Incandescent/with Sound	218	281	78	43
	Steady or Flashing LED/with Sound (Red, Amber, Yellow)	100	62	22.5	20
	Steady or Flashing LED/with Sound (Green, Blue, White)	250	180	70	55
	Strobe/with Sound	250	180	70	55
Transducer Style Sound Modules	Single and Two Circuit Modules	30	65	110V/50 Hz 120V/60 Hz 60 mA	230V/50 Hz 240V/60 Hz 60 mA
Piezo Style Sound Modules	Single and Two Circuit Modules	27	45	43	40
DeviceNet Bases		—	70	—	—

**Table 119 - Flashing and Tone Frequency**

Attribute	Value
<b>Flashing Frequency (Light Only Modules)</b>	
Flashing Incandescent Modules	12V module approximately 1.5 Hz 24V, 120V, and 240V modules approximately 2 Hz Time ON/Time OFF = 1:1
Flashing LED Modules	Approximately 1.5 Hz; Time On/Time OFF = 1:1
Strobe Modules	Approximately 2 Hz (flash duration 1/50,000 second)
<b>Flashing and Tone Frequency (Light Modules/with Sound Set at Continuous Tone)</b>	
Tone Frequency	Preset at 2400 Hz or 3300 Hz
Flashing Incandescent/ with sound	12V module approximately 1.5 Hz 24V, 120V, and 240V modules approximately 1.6 Hz
Flashing LED/ with sound	Flashing frequency approximately 1.5 Hz
Strobe/with Sound	Flashing frequency approximately 1.4 Hz
<b>Flashing and Tone Pulsing Frequencies (Light Modules/with Sound Set at Pulsing Tone)</b>	
Tone Frequency	Preset at 2400 Hz or 3300 Hz
Steady Incandescent/ with sound	Sound Pulsing Frequency — 1.5 Hz
Flashing Incandescent/ with sound	Flashing and Pulsing Frequency the same for 12V module approximately 1.5 Hz, for 24V, 120V, and 240V modules approximately 1.6 Hz
Steady LED/ with sound	Sound Pulsing Frequency — 1.5 Hz
Flashing LED/ with sound	Flashing and Pulsing Frequency the same at 1.5 Hz
Strobe/with Sound	Flashing and Pulsing Frequency the same at 1.4 Hz

**Table 120 - Decibel Rating (Sound Modules)**

Device	Decibel Rating <sup>(1)</sup>
Selectable Tone Sound Module (SA1, TA1)	Maximum volume ranges from 64 . . 103 dB(A) (volume adjustable) Based on tone that is selected for all settings except signal horn, which has a maximum of 80 dB(A)
Piezo Sound Module (SA2, TA2)	High 97 dB/Low 85 dB, selectable via DIP switch
Piezo Sound Module (SA3, TA3)	High 107 dB/Low 95 dB, selectable via DIP switch
Piezo Light Modules and Light Modules/with Sound (set at continuous or pulsing tone)	High 107 dB/Low 95 dB, selectable via DIP switch

(1) All dB(A) ratings are determined at a distance of 1 m (3.3 ft) from sound module.

**Table 121 - Leakage Current Impact**

All light modules, sound modules, and light/sound modules can absorb up to 3 mA of leakage current from solid-state outputs without module activation. Some light and light modules with sound may not turn off completely when connected to solid-state outputs that emit leakage current. The following modules can be affected by an output module emitting a maximum of 3 mA. A dry contact can be used to reduce the effect of leakage current.

12V AC/DC, 24V AC/DC, 120V AC, 240V AC	All light/sound combination modules
--	-------------------------------------

**Table 122 - DeviceNet Bases**

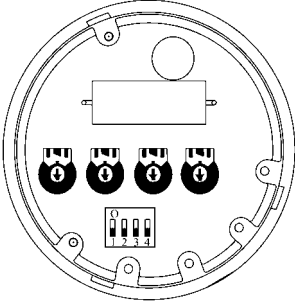


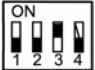







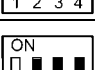







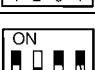

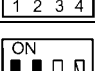

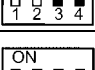



Attribute	Value
Communication Rate Options	125K, 250K, 500K, Autobaud

**Table 123 - Standards and Certifications**

Attribute	Bulletin 855T — 70 mm Control Tower Stack Lights
Standards Compliance	<ul style="list-style-type: none"> <li>UL 508</li> <li>CSA C22.2 No. 14</li> <li>EN/IEC 60947-1</li> <li>EN/IEC 60947-5-1</li> </ul>
Certifications	<ul style="list-style-type: none"> <li>c-UL-us Listed (File No. E14840, Guides NKCR, NKCR7)</li> <li>CE Marked</li> </ul>

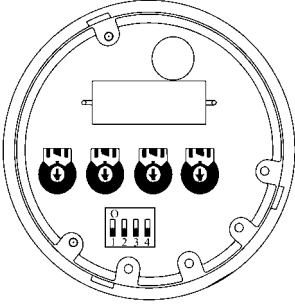















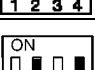

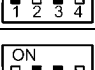








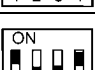

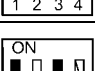


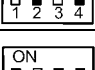













Transducer Style Single-circuit Sound Module (SA1)

	DIP Switch Position	Tone Description	Speed [Hz]	Upper Frequency [Hz]	Lower Frequency [Hz]	Volume [dB(A)]	
 <p>Adjustable Sound Settings</p>		Triangle Tone		7...22	1500	500	80...100
		Continuous Tone		—	(1)	500	83...100
		Interrupted Tone		0.5...1.5	(1)	500...1500	83...103
		Changing Tone		0.5...1.5	500...1500	500...1500	83...103
		Saw Tooth Tone Ascending		0.5...1.5	500...1500	500...1500	83...103
		Saw Tooth Tone Descending		0.5...1.5	500...1500	500...1500	83...103
 <p>Rotated View of Sound Settings</p>		Sine-wave Tone		0.5...1.5	500...1500	500...1500	82...102
		DIN-Emergency Signal	DIN 33404	1	1200	500	82...102
		Siren (Non-Repeating)		2...4 s	1500	500	83...103
		Signal Horn Continuous Tone		—	(1)	100...350	64...80
		Three-Tone Gong		2...4 s	660 550 440		76...95
		Two-Tone Gong		2...4 s	550 440		75...93
		Gong		1...3 s	(1)	500...1500	75...93

(1) Set to maximum (+).

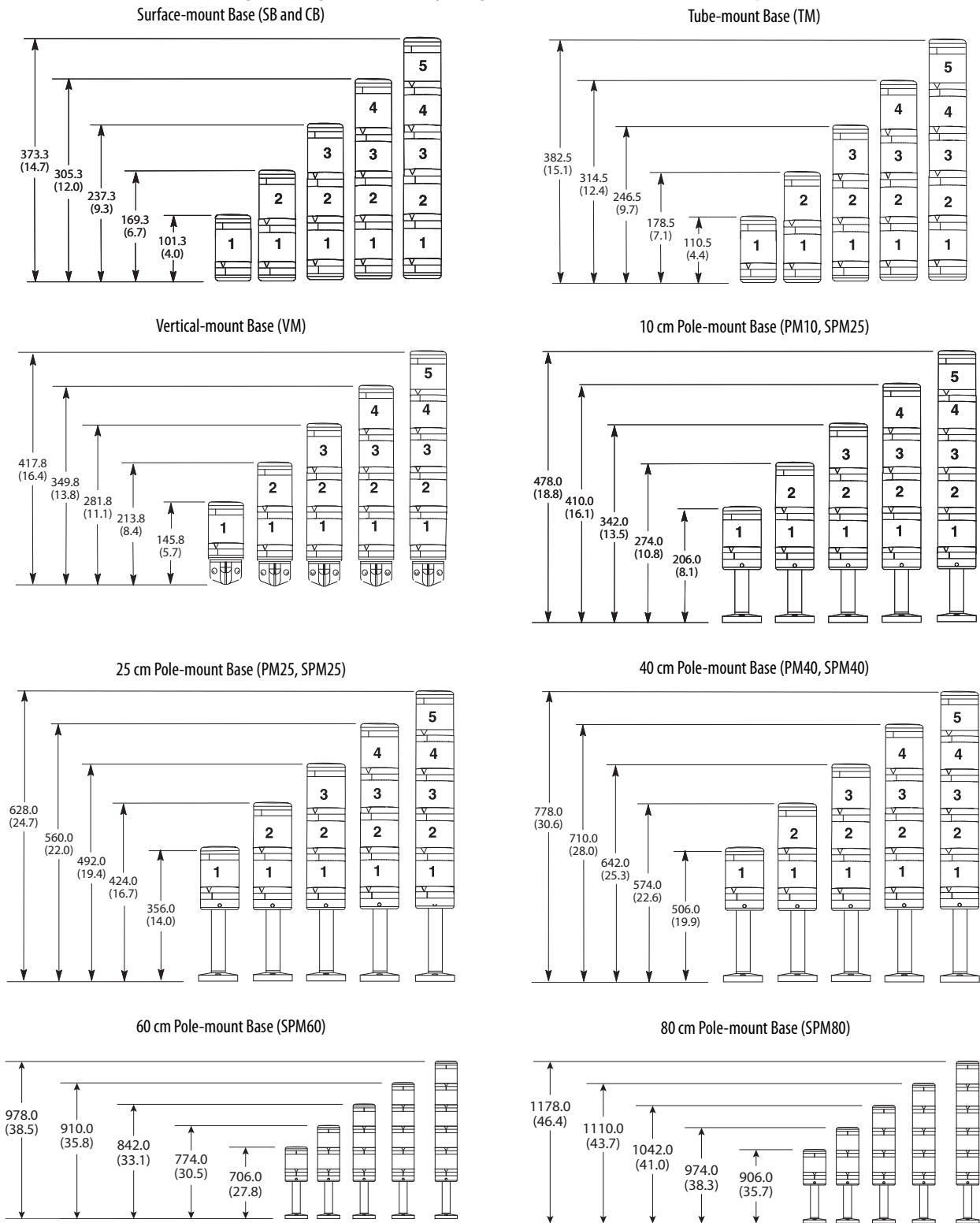
Transducer Style Dual-circuit Sound Module (TA1)

		DIP Switch Position	Tone A		Tone B	
 <p>Adjustable Sound Settings</p>		Triangle Tone		Continuous Tone		
		Continuous Tone		Changing Tone		
		Continuous Tone		Interrupted Tone		
		Interrupted Tone		Three-Tone Gong		
		Interrupted Tone		Siren (Non-Repeating)		
		Changing Tone		DIN-Emergency Signal	DIN 33404	
		Saw Tooth Tone Ascending		Continuous Tone		
 <p>Rotated View of Sound Settings</p>		Saw Tooth Tone Descending		Interrupted Tone		
		Sine-wave Tone		DIN-Emergency Signal	DIN 33404	
		DIN-Emergency Signal	DIN 33404	Three-Tone Gong		
		Siren (Non-Repeating)		Triangle Tone		
		Signal Horn Continuous Tone		Continuous Tone		
		Three-Tone Gong		Sine-wave Tone		
		Two-Tone Gong		Two-Tone Gong (Non-Repeating)		
		Gong		Continuous Tone		

*Approximate Dimensions*

Dimensions in millimeters (inches). Dimensions are not intended to be used for manufacturing purposes.

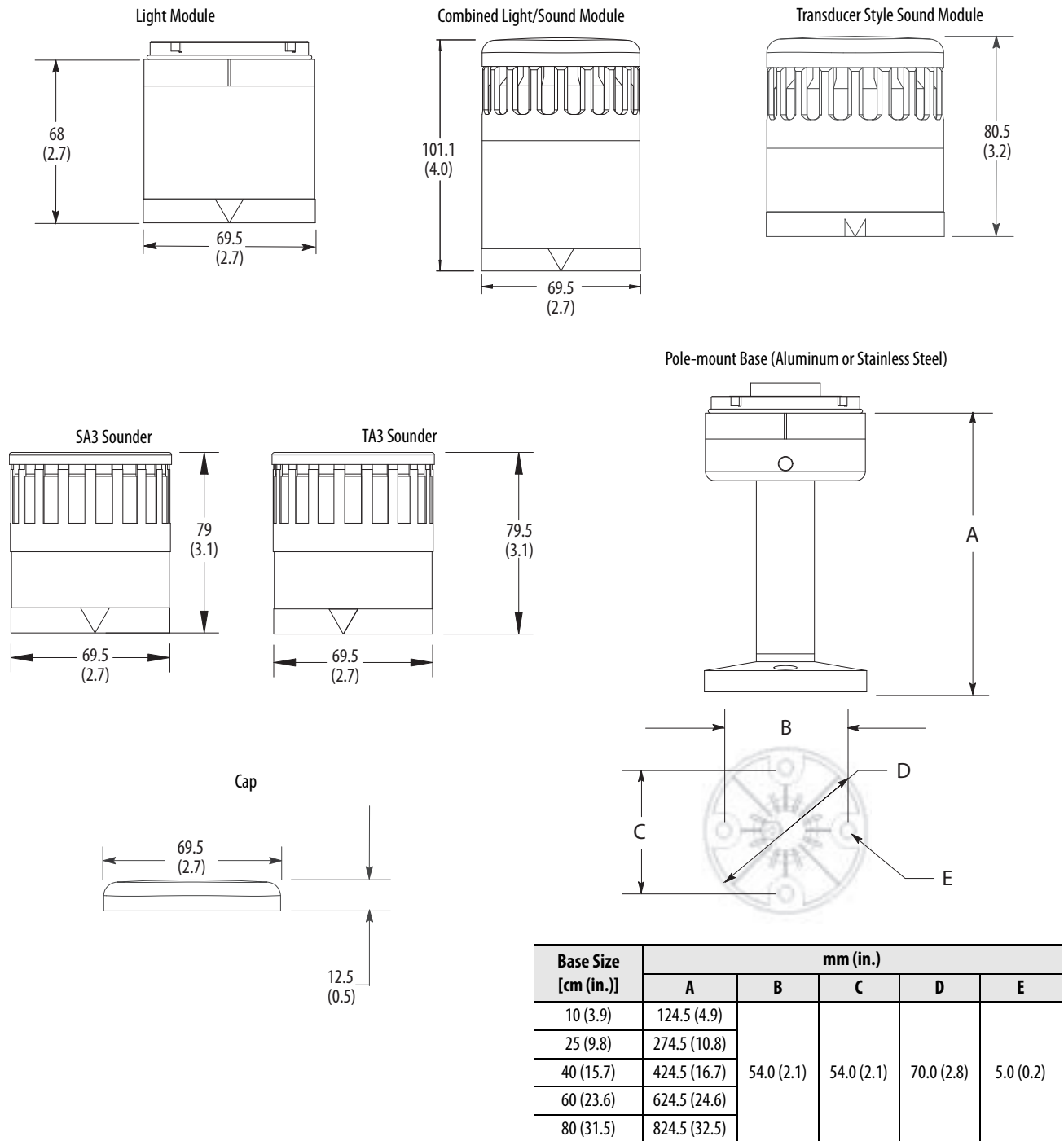
**Figure 9 - Assembled Control Tower Lights — Light Modules Only or Light Modules with Sound Module on Top Position <sup>(1)</sup>**



(1) If a combined light/sound module is used, add 21.5 mm (0.8 in.) to vertical dimensions.

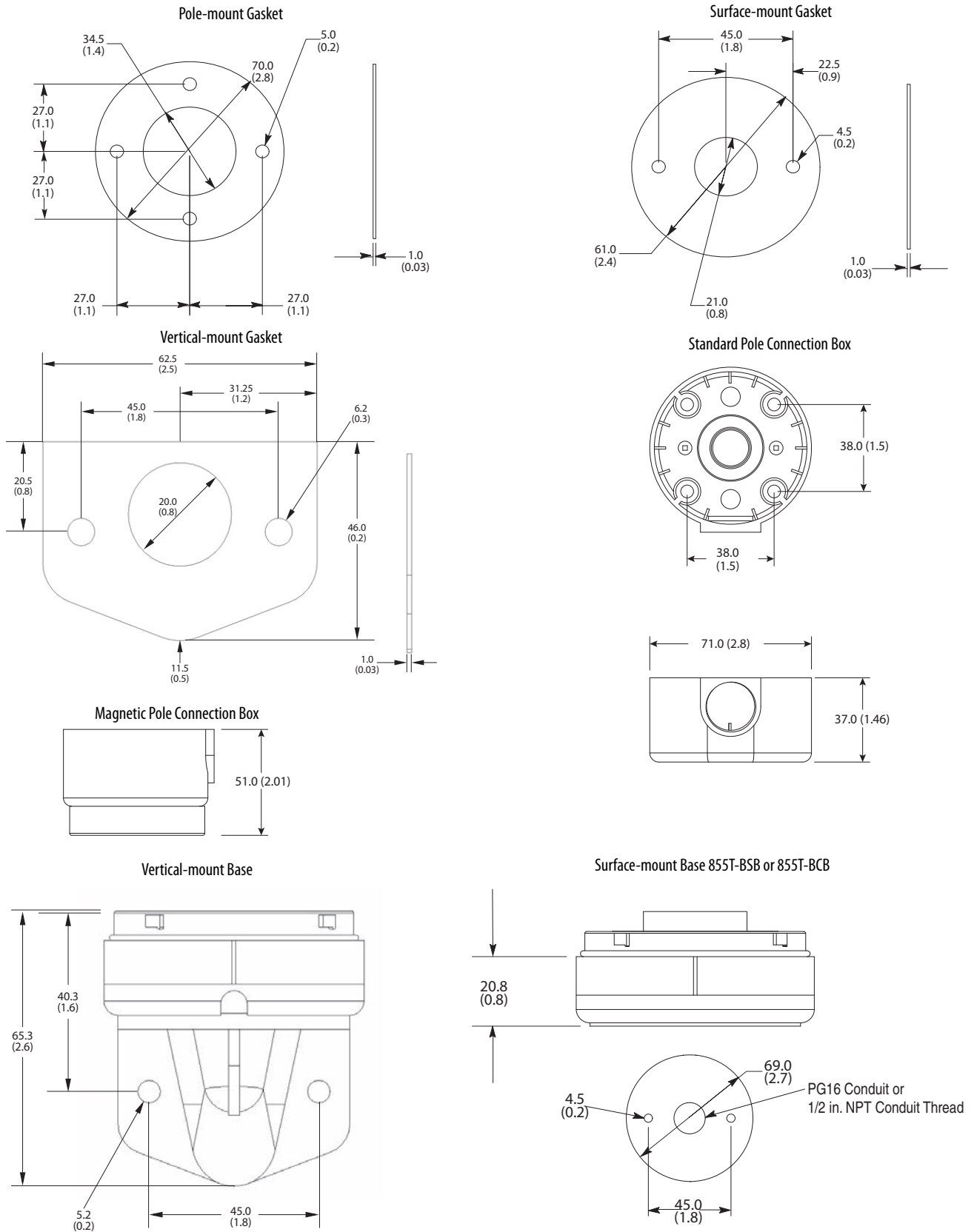
Dimensions in millimeters (inches). Dimensions are not intended to be used for manufacturing purposes.

**Figure 10 - Component and Accessory Dimensions**



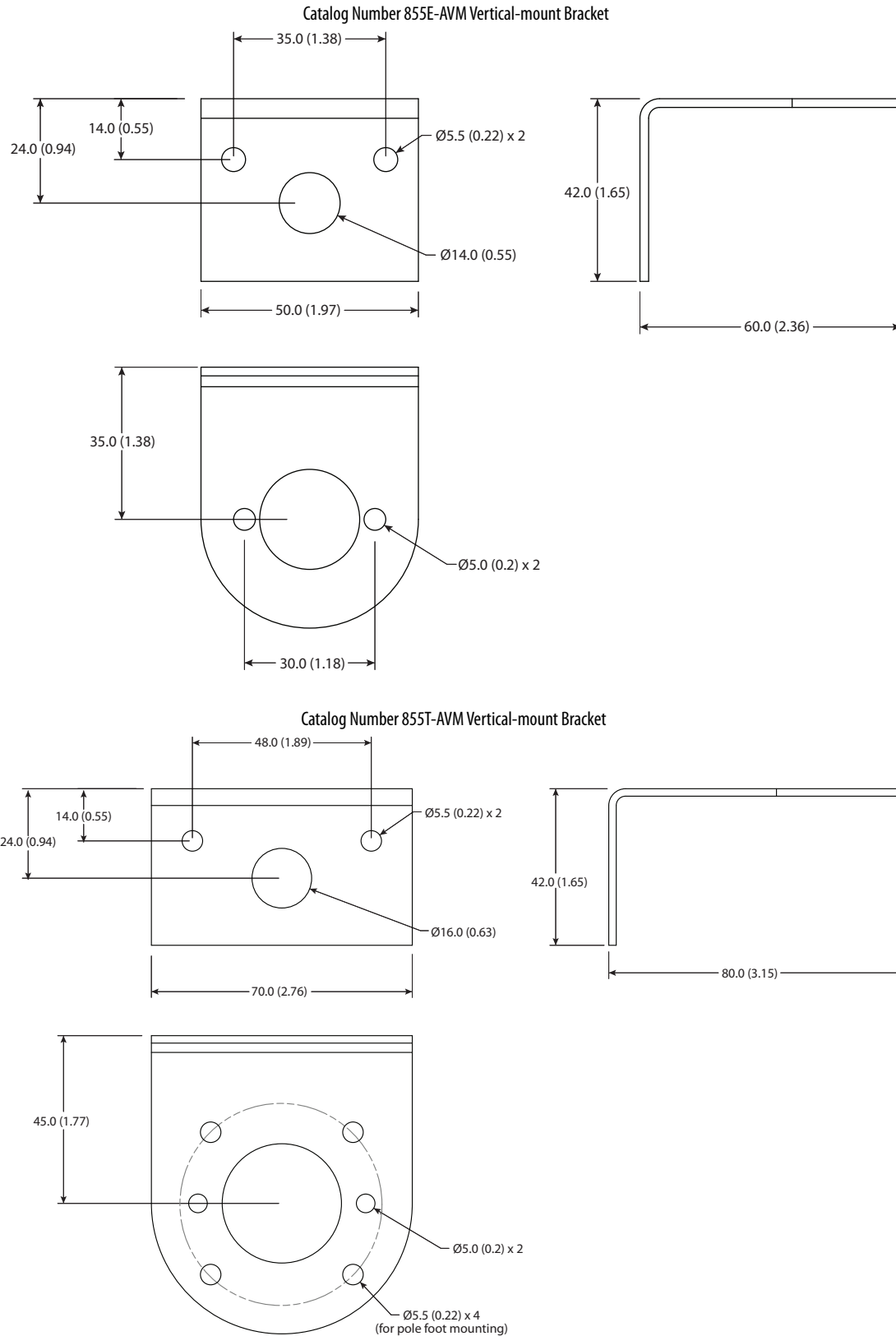
Dimensions in millimeters (inches). Dimensions are not intended to be used for manufacturing purposes.

**Figure 11 - Component and Accessory Dimensions**



Dimensions in millimeters (inches). Dimensions are not intended to be used for manufacturing purposes.

**Figure 12 - Component and Accessory Dimensions**



## Bulletin 856T 70 mm Control Tower Stack Lights

These devices give you the flexibility to meet the widest range of applications with a reduced number of components. This system uses a modular design that incorporates brighter LED illumination and a broad offering of sound technologies. All signals in the system are 24V AC/DC powered, which means that just three power modules can cover the entire system. They can be purchased as separate components or as a preconfigured, factory-assembled stack light for optimal flexibility.

### Light Modules



Steady LED Module



Multi-function LED Module



Steady/Flashing Beacon Style

856T –  $\frac{\text{B}}{\text{a}}$   $\frac{\text{T}}{\text{b}}$   $\frac{4}{\text{c}}$

a	
Housing Color	
Code	Description
B	Black

b	
Module Type	
Code	Description
T	Steady LED
B	Multi-function LED steady/flashing/strobe 1/strobe 2
R	Rotating LED
MC	7-color LED (RGB) <sup>(1) (2)</sup>
GB	Steady/flashing, non-stackable beacon style
SB	Strobe 1/strobe 2, non-stackable beacon style <sup>(3)</sup>
RB	Rotating LED, non-stackable beacon style <sup>(4)</sup>
MB	7-color LED (RGB), non-stackable beacon style <sup>(1) (2)</sup>

c	
Output Color	
Code	Description
3	Green
4	Red
5	Amber
6	Blue
7	Clear
8	Yellow
9	Magenta <sup>(5)</sup>
Blank	For use with Module Type MC and MB only

- (1) Output Color must be Blank (Table c).
- (2) Can use three circuits to display up to seven colors, two circuits to display three colors, or one circuit to display one color.
- (3) Can only be used with Output Color 4, 5, or 6 (Table c).
- (4) Can only be used with Output Color 4 or 5 (Table c).
- (5) Cannot be used with Module Type R and GB (Table b).

## Sound Modules



Transducer Sounder



In-line Piezo Sounder



Top-mount Piezo Sounder

856T -  $\frac{B}{a}$   $\frac{P1}{b}$

a	
Housing Color	
Code	Description
B	Black

b	
Module Type	
Code	Description
P1	Single-circuit piezo, eight tones, top mount
TR3	Transducer, 16 tone tables/seven tones per table, three circuits <sup>(1)</sup>
PL1	In-line piezo, single circuit, eight tones

(1) Can use three circuits to play up to seven tones, two circuits to play three tones, or one circuit to play one tone.

## Power Modules



24V AC/DC (seven circuits)



120/240V AC (three circuits)



120/240V AC (seven circuits)

856T -  $\frac{B}{a}$   $\frac{24}{b}$   $\frac{C}{c}$

a	
Housing Color	
Code	Description
B	Black

b	
Voltage	
Code	Description
24	24V AC/DC, seven circuits
AC3	90...250V AC, three circuits
AC7	90...250V AC, seven circuits

d	
Cap Option	
Code	Description
C	Cap included



## Base Mounting Adapters



Surface 1/2 in. NPT



Surface with screws



Vertical mount



Pole mount



Threaded tube mount

856T -  $\frac{\text{BMA}}{a} \frac{\text{P10}}{b}$

a	
Housing Color	
Code	Description
BMA	Black

b	
Mounting Style	
Code	Description
SN	NPT surface mount, Type 4/4X/13
VM	Vertical mount
SH	Surface mount NPT, Type 4/4X/13, preinstalled mounting hardware
P10	10 cm (3.9 in.) aluminum pole mount
P25	25 cm (9.8 in.) aluminum pole mount
P40	40 cm (15.7 in.) aluminum pole mount
P60	60 cm (23.6 in.) aluminum pole mount
T10	10 cm (3.9 in.) threaded tube (M20)
T25	25 cm (9.8 in.) threaded tube (M20)

## Preassembled Bases



Surface with M12  
Micro connector (5-pin)



Surface with M12 Micro  
connector (8-pin)



Catalog Number 856T-B24SNC  
Surface Mount for 24V AC/DC (seven circuits)



Catalog Number 856T-BA7VMC  
Vertical Mount for 120/240V AC (seven circuits)



Quick Release  
Five levels (prewired)



Catalog Number 856T-BA3P10C  
10 cm Pole for 120/240V AC (three circuits)

856T –                           
          a      b      c      d      e

a	
Network Option	
Code	Description
Blank	No network option

b	
Housing Color	
Code	Description
B	Black

c	
Voltage	
Code	Description
24	24V AC/DC, seven circuits
A3	90...250V AC, three circuits
A7	90...250V AC, seven circuits

d	
Mounting Style	
Code	Description
SN	1/2 in. NPT surface mount
VM	Vertical mount
SH	Surface mount, preinstalled mounting hardware
P10	10 cm (3.9 in.) aluminum pole mount
P25	25 cm (9.8 in.) aluminum pole mount
P40	40 cm (15.7 in.) aluminum pole mount
P60	60 cm (23.6 in.) aluminum pole mount
T10	10 cm (3.9 in.) threaded tube (M20)
T25	25 cm (9.8 in.) threaded tube (M20)
Q10	10 cm (3.9 in.) quick release <sup>(1)</sup>
Q25	25 cm (9.8 in.) quick release <sup>(1)</sup>
QD5	5-pin M12 connector, M30 mounting thread <sup>(1)</sup>
QD8	8-pin M12 connector, M30 mounting thread <sup>(1)</sup>

e	
Cap Option	
Code	Description
C	Cap included

(1) Can only be used with Voltage code 24 (Table c).

## Pre-configured Control Tower Lights, 1...7 Modules

856TC –      **P10** **B** **24** **Y** **4** **B** **5** **B** **3** **R** **7** **Y** **6** **R** **8** **B** **6**  
                                                                                                      
           a    b    c    d    e    f    e    f    e    f    e    f    e    f    e    f    e    f    e    f  
           (Level 1, e+f) (Level 2, e+f) (Level 3, e+f) (Level 4, e+f) (Level 5, e+f) (Level 6, e+f) (Level 7, e+f)

a	
Network Options	
Code	Description
Blank	No network option

b	
Base Type	
Code	Description
SN	1/2 in. NPT surface mount
VM	Vertical mount
SH	Surface mount, preinstalled mounting hardware
P10	10 cm (3.9 in.) aluminum pole mount
P25	25 cm (9.8 in.) aluminum pole mount
P40	40 cm (15.7 in.) aluminum pole mount
P60	60 cm (23.6 in.) aluminum pole mount
Q10	10 cm (3.9 in.) quick release <sup>(1) (2)</sup>
Q25	25 cm (9.8 in.) quick release <sup>(1) (2)</sup>
QD5	5-pin M12 connector <sup>(1) (3)</sup>
QD8	8-pin M12 connector <sup>(1)</sup>
T10	10 cm (3.9 in.) threaded tube (M20)
T25	25 cm (9.8 in.) threaded tube (M20)
X	No base (modules only) <sup>(4)</sup>

c	
Housing Color	
Code	Description
B	Black

- (1) Must be used with Voltage code 24 (Table d)
- (2) Maximum number of circuits is five.
- (3) Maximum number of circuits is four.
- (4) Voltage code Blank (Table d) must be for this option.







d	
Voltage	
Code	Description
24	24V AC/DC, seven circuits
A3	90...250V AC, three circuits
A7	90...250V AC, seven circuits
Blank	For use with Base Type X only

e	
Module Type	
Code	Description
Y	Steady LED
B	Multi-function LED steady/flashing/strobe 1/strobe 2
R	Rotating
MC	7-color LED (RGB) <sup>(1) (2)</sup>
P	Top mount piezo sounder <sup>(3)</sup>
T	Transducer <sup>(3) (4)</sup>
D	Beacon, steady/flashing <sup>(3)</sup>
K	Beacon, strobe 1/strobe 2 <sup>(3) (5)</sup>
Z	Beacon, rotating <sup>(3) (6)</sup>
MB	Beacon, multicolor <sup>(1) (2) (3)</sup>
W	In-line piezo sounder

f	
Output Color/Sound	
Code	Description
1	Sound module <sup>(7)</sup>
3	Green
4	Red
5	Amber
6	Blue
7	White
8	Yellow
9	Magenta <sup>(8)</sup>
Blank	For use with Module Type MC and MB only

- (1) Output Color code must be Blank (Table f).
- (2) Can use three circuits to display up to seven colors, two circuits to display three colors, or one circuit to display one color.
- (3) Must be in top position.
- (4) Can use three circuits to play up to seven tones, two circuits to play three tones, or one circuit to play one tone.
- (5) Can only be used with Output Color codes 4, 5, or 6 (Table f).
- (6) Can only be used with Output Color codes 4 or 5 (Table f).
- (7) Can only be selected with Module Type codes P, H, T, and W (Table e).
- (8) Cannot be used with Module Type codes R, D, K, and Z (Table e).

## Accessories

Description		Cat. No.
	Replacement O-ring for lenses and bases (bag of 1)	856T-ARNG
	Replacement flat gasket for SN and SH surface bases (bag of 1)	856T-ASFG
	Replacement vertical mount gasket (bag of 1)	856T-AVFG
	Cap (black)	856T-ABCAP
	Transition module for mounting Bulletin 856T modules on existing Bulletin 855T DeviceNet bases (five circuits, max)	856T-ATM
	Diffuser kit	856T-ADK
	M5 x 50 mm mounting screws (bag of 4) For mounting Bulletin 856T pole foot base to Bulletin 855T pole connection box	856T-AJBS

## Specifications

**Table 124 - Mechanical**

Attribute		Based on the weight and style of mounting; tower lights are subject to damage from shock and vibration. The following are reference guidelines for maximum acceptable conditions.	
		Shock, Peak [G]	Vibration, Peak [G]
Surface Mount Base	24V and AC three-circuit	50	3
	AC seven-circuit	25	3
Vertical Mount Base		50	3
Pole/Tube Base	10 cm	50	3
	25 cm	50	3
Pole Base	40 cm	50	3
	60 cm	50	3
QR Base		50	3
QD Base		50	3
Recommended Wire Sizes		24...14 AWG (UL)/0.2...1.5 mm <sup>2</sup> (IEC) (push-in type terminal block)	

**Table 125 - Environmental**

Attribute		Value
Ingress Ratings		UL Type 4/4X/ 13, IP66/67 <sup>(1)</sup> Suitable for indoor and outdoor use
Temperature Ranges	Operating	-30...+70 °C (-22...+158 °F) <sup>(2)</sup>
	Storage	-30...+85 °C (-22...+185 °F)
Relative Humidity		90% noncondensing

(1) QR bases are IP66.

(2) -30...+45 °C (-22...+113 °F) for QD bases.

**Table 126 - Materials**

Part	Material <sup>(1)</sup>
Bases, Cap, Sound Module Housing, Lens, Pole Foot, Diffuser	Polycarbonate
Threaded Tube/Pole Bases	Aluminum with clear powder coat
Gaskets and O-rings	Nitrile rubber
Mounting Screw Washers	Polypropylene

(1) RoHS compliant

**Table 127 - Decibel Rating (Sound Modules)**

Device	Decibel Rating <sup>(1)</sup>	Volume Control	No. of Tones
856T-BP1, Piezo, Top mount	105 dB(A), max	Adjustable -20 dB	8
856T-BTR3, Transducer	Rated: 105 dB(A) (107 dB(A), max @ 2700 Hz)	-10 dB (also three adjustment pots for tone customization)	80 tones, seven stages configured via DIP switch and three inputs
856T-BPL1, Piezo, In-line	102 dB(A), max	Adjustable -20 dB	8

(1) All dB(A) ratings are determined at a distance of 1 m (3.3 ft) from sound module.

**Table 128 - Light Output**

Device	Light Output [mcd]
<b>Steady</b>	
856T-BT3 (Green)	7200
856T-BT4 (Red)	5200
856T-BT5 (Amber)	9500
856T-BT6 (Blue)	1300
856T-BT7 (White)	17,200
856T-BT8 (Yellow)	15,800
856T-BT9 (Magenta)	5600
<b>Multifunction</b>	
856T-BB3 (Green)	12,600
856T-BB4 (Red)	6900
856T-BB5 (Amber)	16,700
856T-BB6 (Blue)	2300
856T-BB7 (White)	30,300
856T-BB8 (Yellow)	27,800
856T-BB9 (Magenta)	9900
<b>Rotating</b>	
856T-BR3 (Green)	6300
856T-BR4 (Red)	5000
856T-BR5 (Amber)	8300
856T-BR6 (Blue)	1100
856T-BR7 (White)	15,000
856T-BR8 (Yellow)	13,800

Device	Light Output [mcd]
<b>Multicolor</b>	
856T-BMC	4800
Seven colors: <ul style="list-style-type: none"> <li>• Green</li> <li>• Red</li> <li>• Yellow</li> <li>• Blue</li> <li>• White</li> <li>• Magenta</li> <li>• Turquoise</li> </ul> (Selectable via three inputs)	
<b>Beacon (Steady/Flashing)</b>	
856T-BGB3 (Green)	8400
856T-BGB4 (Red)	7200
856T-BGB5 (Amber)	11,100
856T-BGB6 (Blue)	1500
856T-BGB7 (White)	20,000
856T-BGB8 (Yellow)	18,400
Steady or flashing function selectable via DIP switch or by using two inputs (Flashing frequency = 2 Hz)	
<b>Beacon (Strobe)</b>	
856T-BSB4 (Red)	10,600
856T-BSB5 (Amber)	21,300
856T-BSB6 (Blue)	2900
Single or double strobe function selectable via DIP switch (1.4 Hz)	
<b>Beacon (Rotating)</b>	
856T-BRB4 (Red)	7500
856T-BRB5 (Amber)	23,200
Two speeds: <ul style="list-style-type: none"> <li>• Speed 1 = 90 RPM</li> <li>• Speed 2 = 180 RPM</li> </ul> (Selectable via DIP switch)	
<b>Beacon (Multicolor)</b>	
856T-BMB	8100
Seven colors: <ul style="list-style-type: none"> <li>• Green</li> <li>• Red</li> <li>• Yellow</li> <li>• Blue</li> <li>• White</li> <li>• Magenta</li> <li>• Turquoise</li> </ul> (Selectable via three inputs)	

**Table 129 - Operating Voltage <sup>(1)</sup>**

Device	Operating Voltage	
	Nominal Voltage	Voltage Range
All modules	24V AC/DC, 50/60 Hz	21...30V DC/ 21.6...26.4V AC
856T-B24C		
856T-BAC3C, three-circuit SMPS	120/240V AC	90...250V AC, 50/60Hz
856T-BAC7C, seven-circuit SMPS	120/240V AC	90...250V AC, 50/60Hz

(1) Maximum input switching frequency for SMPS (that is, from a PLC) is 5 Hz.

**Table 130 - Current Consumption and Life**

Device	Nominal Current	Inrush Current	Life	
<b>Power Modules</b>				
856T-B24C	—	—	—	
856T-BAC3C, three-circuit SMPS	150 mA, max	6 A, max	30,000 hr	
856T-BAC7C, seven-circuit SMPS	340 mA, max	3.5 A, max	30,000 hr	
<b>Sound Modules</b>				
856T-BP1, Piezo, Top mount	120 mA	1.8 A DC 2.15 A AC	20,000 hr	
856T-BTR3, Transducer	200 mA	1.06 A DC 1.24 A AC	20,000 hr	
856T-BPL1, Piezo, In-line	120 mA	1.8 A DC 2.15 A AC	20,000 hr	
<b>Steady Light Modules</b>				
856T-BT3, Green	58 mA	—	>60,000 hr	
856T-BT4, Red		—	>40,000 hr	
856T-BT5, Amber		—	>60,000 hr	
856T-BT6, Blue		—		
856T-BT7, White		—		
856T-BT8, Yellow		—		
856T-BT9, Magenta		—		
<b>Multifunction Light Modules</b>				
856T-BB3, Green		100 mA	1.79 A DC 2.66 A AC	>60,000 hr
856T-BB4, Red	1.82 A DC 2.66 A AC		>40,000 hr	
856T-BB5, Amber	1.79 A DC 2.66 A AC		>60,000 hr	
856T-BB6, Blue				
856T-BB7, White				
856T-BB8, Yellow				
856T-BB9, Magenta				

Device	Nominal Current	Inrush Current	Life
<b>Rotating Light Modules</b>			
856T-BR3, Green	40 mA	1.79 A DC 2.64 A AC	>60,000 hr
856T-BR4, Red	45 mA	1.79 A DC 2.66 A AC	>40,000 hr
856T-BR5, Amber	40 mA	1.79 A DC 2.64 A AC	>60,000 hr
856T-BR6, Blue			
856T-BR7, White			
856T-BR8, Yellow			
<b>Multicolor Light Modules</b>			
856T-BMC	110 mA	1.30 A DC 1.94 A AC	30,000 hr
<b>Beacon Light Modules (Steady/Flashing)</b>			
856T-BGB3, Green	100 mA	0.74 A DC 1.24 A AC	>60,000 hr
856T-BGB4, Red	108 mA	0.70 A DC 1.16 A AC	>40,000 hr
856T-BGB5, Amber	100 mA	0.74 A DC 1.24 A AC	>60,000 hr
856T-BGB6, Blue			
856T-BGB7, White			
856T-BGB8, Yellow			
<b>Beacon Light Modules (Strobe)</b>			
856T-BSB4, Red	190 mA	0.76 A DC 1.11 A AC	>40,000 hr
856T-BSB5, Amber		0.77 A DC 1.11 A AC	>60,000 hr
856T-BSB6, Blue			
<b>Beacon Light Modules (Rotating)</b>			
856T-BRB4, Red	65 mA	0.74 A DC 1.09 A AC	>40,000 hr
856T-BRB5, Amber		0.75 A DC 1.11 A AC	>60,000 hr
<b>Beacon Light Modules (Multicolor)</b>			
856T-BMB	200 mA	1.65 A DC 2.46 A AC	30,000 hr

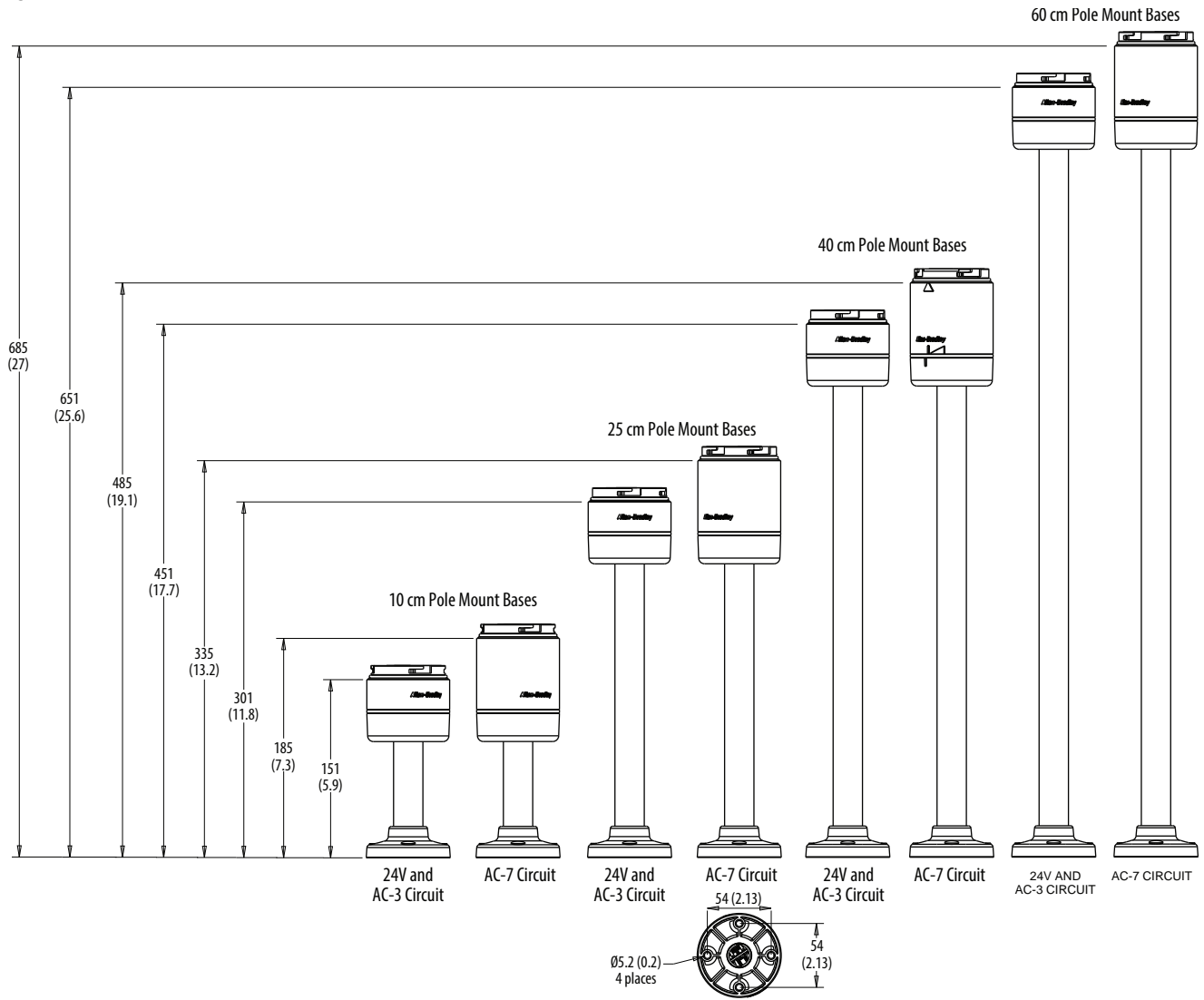
**Table 131 - Standards and Certifications**

Attribute	Bulletin 856T — 70 mm Control Tower Stack Lights
Standards Compliance	<ul style="list-style-type: none"> <li>UL 60947-5-1</li> <li>CSA C22.2 No. 14</li> <li>CE                             <ul style="list-style-type: none"> <li>EN 60947-5-1:2004 + A1:2009</li> <li>EN 61000-6-2:2005</li> <li>EN 61000-6-3:2007 + A1:2011</li> <li>EN 50581: 2012</li> <li>2014/35/EU (Low Voltage Directive)</li> <li>2014/30/EU (EMC Directive)</li> <li>2011/65/EU (RoHS Directive)</li> </ul> </li> </ul>
Certifications	<ul style="list-style-type: none"> <li>c-UL-us Listed (File No. E14840, Guides NKCR, NKCR7)</li> <li>CE Marked</li> <li>KCC (Registration No. R-REM-RAA-856T)</li> <li>China RoHS</li> <li>WEEE</li> <li>RCM (EN 61000-6-2:2005 and EN 61000-6-3:2007 + A1:2011)</li> </ul>

## Approximate Dimensions

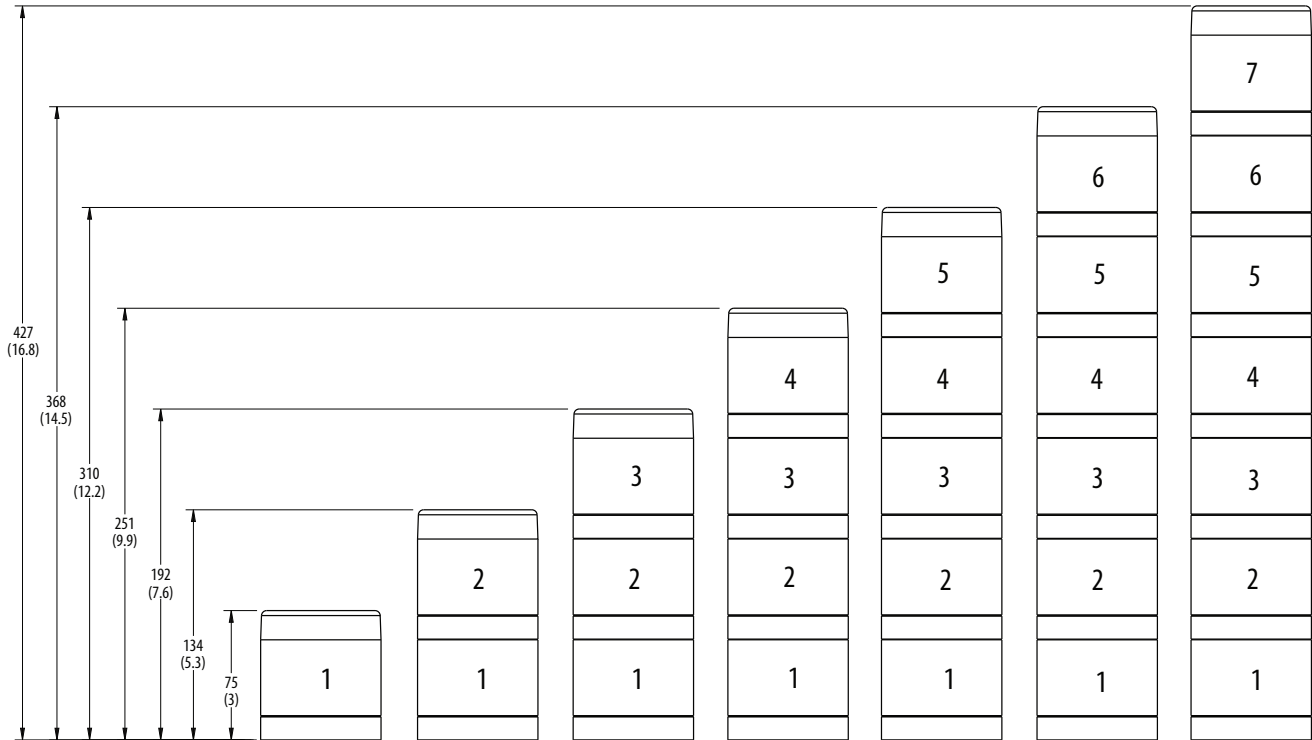
Dimensions in millimeters (inches). Dimensions are not intended to be used for manufacturing purposes.

**Figure 13 - Pole Mount Bases**

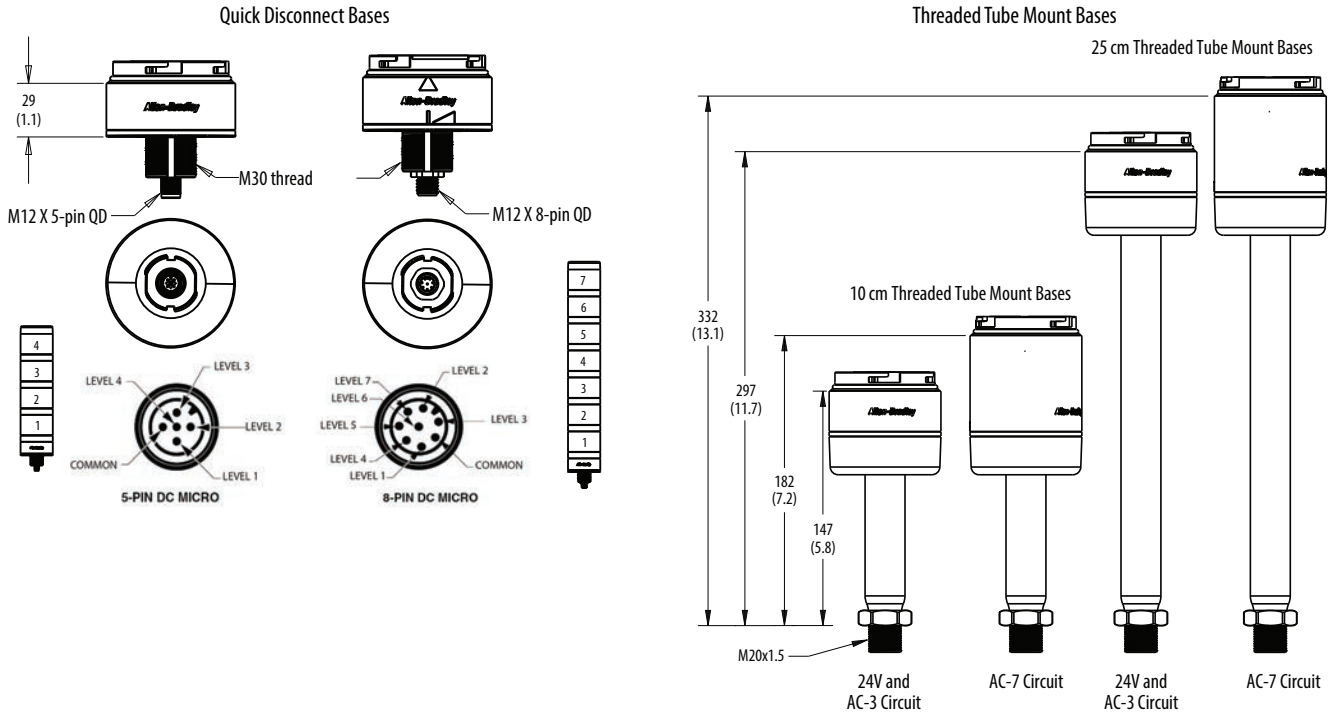


Dimensions in millimeters (inches). Dimensions are not intended to be used for manufacturing purposes.

**Figure 14 - LED Light Modules**



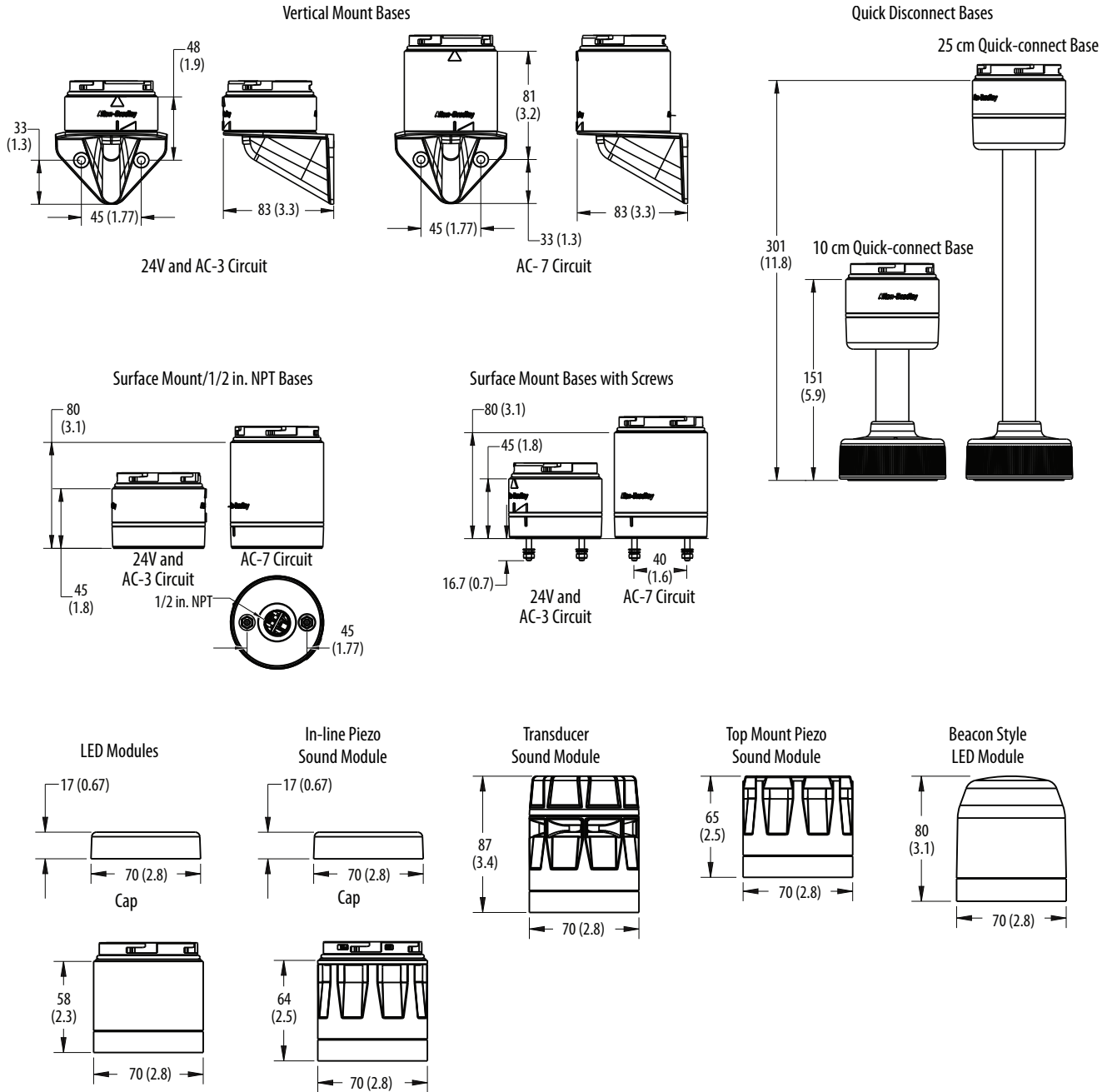
**Figure 15 - Component and Accessory Dimensions**





Dimensions in millimeters (inches). Dimensions are not intended to be used for manufacturing purposes.

**Figure 16 - Component and Accessory Dimensions**

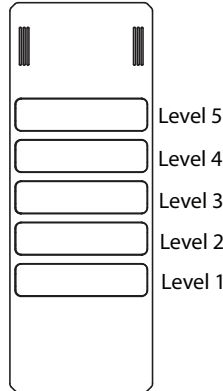


**Notes:**

# Bulletin 855W Wall-mount Signal Light

These devices are designed to communicate the status of different conditions in the machine or critical equipment in a compact size housing. Our signal lights are available in configurations from two to five light indicators with the ability to add the sound in the same unit. These devices provide the versatility to meet your application requirements without any mounting orientation restriction. We offer two color enclosures that allow you to choose the one that best fits the aesthetics of your machine or equipment.

## Pre-assembled Wall-mount Signal Lights, 2...5 Light Levels



855W    a    -    b    c    d    e    d    e    d    e    d    e    d    e    d    e    f  
(Level 1, d+e)    (Level 2, d+e)    (Level 3, d+e)    (Level 4, d+e)    (Level 5, d+e)

a	
Network Option	
Code	Description
Blank	No network option

b	
Housing Color	
Code	Description
C	Chrome plated
G	Gray

c	
Voltage	
Code	Description
24	24V AC/DC
10	120V AC
20	240V AC

d	
Module Type	
Code	Description
Y	Steady LED
L	Flashing LED

e	
Lens Color	
Code	Description
3	Green
4	Red
5	Amber
6	Blue
7	Clear
8	Yellow

f	
Sound	
Code	Description
Blank	No sound
P1	Piezo sounder (continuous/pulsing)

## Specifications

**Table 132 - Environmental**

Attribute		Value
Ingress Ratings	Light/sound modules	UL Type 4/4X/13, IP65
Temperature Ranges	Operating	-25...+50 °C (-13...+122 °F)
	Storage	-25...+85 °C (-13...+185 °F)

**Table 133 - Materials**

Part	Material
Lenses and Base	Polycarbonate (94V-0)
Cover	ABS
Rubber Seals and Gaskets	NBR 70

**Table 134 - Operating Voltage**

Device	Operating Voltage		
	24V AC/DC	120V AC	240V AC
Light modules and sound modules	24V AC/DC (±10%)	110V AC, 50 Hz (±10%) 120V AC, 60 Hz (±10%)	230V AC, 50 Hz (±10%) 240V AC, 60 Hz (±10%)

**Table 135 - Current Consumption**

Device	Current Consumption [mA]		
	24V AC/DC	120V AC	240V AC
Steady or Flashing LED	43 mA per channel, max	33 mA per channel, max	30 mA per channel, max
Piezo sounder	62	24	24

**Table 136 - Leakage Current Impact**

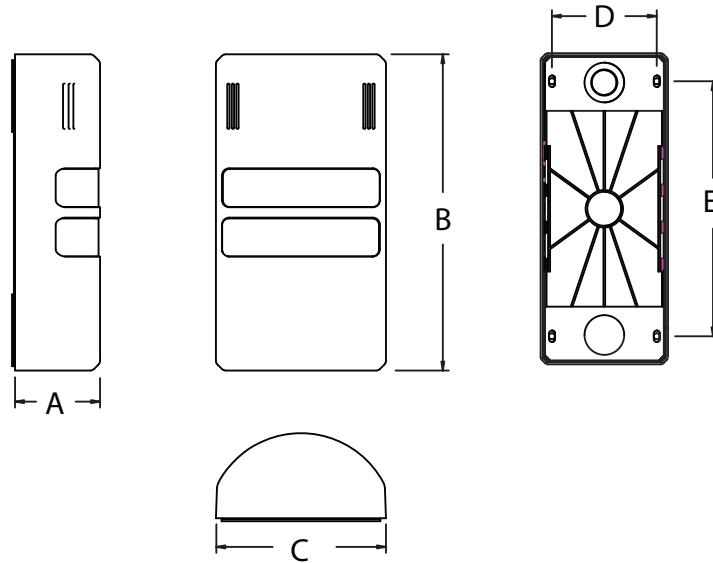
All light and sound modules can absorb up to 3 mA of leakage current from solid-state outputs without module activation.

**Table 137 - Mechanical**

Attribute		Value
Design Life Rating (Average life under static, no vibration conditions)	Steady or Flashing LED	30,000...50,000 hr
	Piezo sounder	>10,000 hr
Frequency	Flashing LED	2 Hz
Decibel Rating	Piezo sounder	90 dB(A) (potentiometer adjustable down to 70 dB(A)) All dB(A) ratings are determined at a distance of 1 m (3.3 ft) from the sound module

## Approximate Dimensions

Dimensions in millimeters (inches). Dimensions are not intended to be used for manufacturing purposes.



Number of Levels	Dimension A [mm (in.)]	Dimension B [mm (in.)]	Dimension C [mm (in.)]	Dimension D [mm (in.)]	Dimension E [mm (in.)]
2	45 (1.77)	167.4 (6.59)	90 (3.54)	74 (2.91)	125 (4.92)
3		193.5 (7.62)			150 (5.91)
4		219.6 (8.65)			180 (7.09)
5		245.7 (9.67)			210 (8.27)

**Notes:**

## Bulletin 855X Hazardous Location Horns, Beacons, and Loudspeakers

These devices are designed to alert you to critical equipment and system needs on the plant floor. These alarms are available in a wide variety of light and sound functions, sizes, colors, voltages, and mounting options. These devices are also offered pre-assembled to save time.

- Provides low power consumption and long life
- Offers horn only or horn and attached beacon with six lens colors
- Offers 24V DC, 120V AC, and 240V AC voltage options
- Includes glass reinforced plastic and impact resistant ABS enclosure
- Offers -20...+50 °C (-4...+122 °F) operating temperature for Class 1 Division 2
- NEMA Type 4/4X/13, IP 66/67 certified
- UL listed

### Alarm Horn Sounders



855XH – BN D30 B  
                                   a           b           c

a	
Product Type	
Code	Description
BN	1/2 in. NPT conduit entrance, black housing

b	
Voltage	
Code	Description
D30	10...30V DC
D48	48V DC
A10	115...120V AC
A20	220...230V AC

c	
Horn Type	
Code	Description
A	110 dB @ 1 m (3.3 ft), 45 tone, 3 stage
B	117 dB @ 1 m (3.3 ft), 45 tone, 3 stage

## Xenon Strobe Beacons



855XB — BN A10 B 4  
                   a       b       c       d

a	
Product Type	
Code	Description
BN	1/2 in. NPT conduit entrance, black housing

b	
Voltage	
Code	Description
D12	12V DC <sup>(1)</sup>
D24	24V DC
D48	48V DC
A10	115...120V AC
A20	220...230V AC

c	
Beacon Type	
Code	Description
A	Xenon strobe - 5 J, 1 Hz
B	Xenon strobe - 10 J, 1 Hz

c	
Lens Color	
Code	Description
3	Green
4	Red
5	Amber
6	Blue
7	Clear
8	Yellow

(1) The 12V DC voltage is only configurable with the Xenon, 5 J beacon type.

## Combined Horn Sounder and Strobe Beacons



855XC — BN A10 A 3  
                   a       b       c       d

a	
Product Type	
Code	Description
BN	1/2 in. NPT conduit entrance, black housing

b	
Voltage	
Code	Description
D24	24V DC
D48	48V DC
A10	115...120V AC
A20	220...230V AC

c	
Beacon Type	
Code	Description
A	Xenon strobe - 5 J, 110 dB @ 1 m (3.3 ft), 45 tones, 3 stages

c	
Lens Color	
Code	Description
3	Green
4	Red
5	Amber
6	Blue
7	Clear
8	Yellow



## Public Address Loudspeakers

855XL –  $\frac{\text{BN}}{\text{a}}$   $\frac{70}{\text{b}}$   $\frac{\text{A}}{\text{c}}$

a	
Product Type	
Code	Description
BN	1/2 in. NPT conduit entrance, black housing

b	
Voltage	
Code	Description
70	70V line (tappings: 15 W, 7.5 W, 3 W, 1 W)
100	100V line (tappings: 15 W, 7.5 W, 3 W, 1 W)
8R	8 $\Omega$
16R	16 $\Omega$

c	
Beacon Type	
Code	Description
A	15 W RMS

## Specifications

**Table 138 - Mechanical**

Attribute	855XH Horn	855XB Beacon	855XC Horn/Beacon Combination	855XL Public Address Loudspeaker
Shock			30 G Peak	
Vibration			2 G Peak	

**Table 139 - Environmental**

Attribute	855XH Horn	855XB Beacon	855XC Horn/Beacon Combination	855XL Public Address Loudspeaker
Ingress Ratings			UL Type 4/4X13, IP 66/67	
Temperature Ranges	Operating		-20...+55 °C (-4...+131 °F)	
	Storage		-20...+75 °C (-4...+167 °F)	

**Table 140 - Materials**

Part	855XH Horn	855XB Beacon	855XC Horn/Beacon Combination	855XL Public Address Loudspeaker
Covers			PPS glass-filled plastic	
Bases			PPS glass-filled plastic	
Mounting Bracket			Stainless Steel 304 (A2)	
Gaskets			Viton®	
Beacon Lens			Glass	
Beacon Housing			PPS glass-filled plastic	

**Table 141 - Performance Ratings**

Attribute		855XH Horn	855XB Beacon	855XC Horn/Beacon Combination	855XL Public Address Loudspeaker
Sound Output	dB @ 1 meter	110 or 117	—	110	—
Xenon Lamp Rating	[J]	—	5 or 10	5	—
Flashing Frequency	[Hz]	—	1	1	—

**Table 142 - Voltage and Current Consumption**

Device	Input Voltage	12V AC/DC	24V AC/DC	48V DC (I/P Volts, Max)	10V AC, 50/60 Hz	230V AC, 50/60 Hz
855XH Horn 110 dB @ 1 m (3.3 ft)	DC Units: 10...30V or 48V	—	284 mA (30V)	146 mA (58V)	—	—
	AC Units: 120V or 230V, 50/60 Hz	—	—	—	104 mA (132V)	54 mA (253V)
855XH Horn 117 dB @ 1 m (3.3 ft)	DC Units: 10...30V or 48V	—	280 mA (30V)	215 mA (58V)	—	—
	AC Units: 120V or 230V, 50/60 Hz	—	—	—	142 mA (132V)	76 mA (253V)
855XB Beacon, 5 J	DC Units: 12, 24, or 48V	520 mA (15V)	275 mA (30V)	145 mA (58V)	—	—
	AC Units: 120V or 230V, 50/60 Hz	—	—	—	80 mA (132V)	30 mA (253V)
855XB Beacon, 10 J	DC Units: 24V or 48V	—	560 mA (30V)	260 mA (58V)	—	—
	AC Units: 120V or 230V, 50/60 Hz	—	—	—	185 mA (132V)	107 mA (253V)
855XC Combined Horn (110 dB @ 1 m (3.3 ft)) and Strobe Beacon (5 J)	Horn Section DC Units: 24V or 48V	—	284 mA (30V)	146 mA (58V)	—	—
	Horn Section AC Units: 120V or 230V, 50/60 Hz	—	—	—	104 mA (132V)	54 mA (253V)
	Beacon Section DC Units: 24V or 48V	—	275 mA (30V)	145 mA (58V)	—	—
	Beacon Section AC Units: 120V or 230V, 50/60 Hz	—	—	—	80 mA (132V)	30 mA (253V)

**Table 143 - Operating Ratings**

Device	Impedance	Input	Wattage	I/P Volts, Max
855XL PA Loudspeaker (1)	8 Ω	8 Ω	15 W	10.095V
	16 Ω	16 Ω	15 W	15.49V
	100V Line	100V Line	15 W	100V
	70V Line	70V Line	15 W	70V

(1) Power Amplifier Selection: It is important that loudspeakers are connected to power amplifiers that have outputs compatible to the type of loudspeaker being used. Loudspeakers with a 70V or 100V line-matching transformer that is fitted must be connected to a power amplifier with a 70V or 100V line output. Low impedance 8 Ω or 16 Ω loudspeakers must be connected to amplifiers with a suitable low-impedance output.

**Table 144 - Temperature Ratings**

Device	Hazardous Location	Code (Operating Temperature, Max) @ 55 °C (131 °F) Ambient	Code (Operating Temperature, Max) @ 40 °C (104 °F) Ambient
855XB- 5 J Beacon	Class I, Division 2, Groups A, B, C, D	T2D (215 °C [419 °F])	T3 (200 °C [392 °F])
	Class II, Division 2, Groups F and G	T5 (100 °C [212 °F])	T6 (85 °C [185 °F])
	Class III, Divisions 1 and 2	T5 (100 °C [212 °F])	T6 (85 °C [185 °F])
855XB- 10 J Beacon	Class I, Division 2, Groups A, B, C, D	T2A (280 °C [536 °F])	—
	Class II, Division 2, Groups F and G	T4A (120 °C [248 °F])	T5 (100 °C [212 °F])
	Class III, Divisions 1 and 2	T4A (120 °C [248 °F])	T5 (100 °C [212 °F])
855XH- 110 dB Sounder	Class I, Division 2, Groups A, B, C, D	T3C (160 °C [320 °F])	T4 (135 °C [275 °F])
	Class II, Division 2, Groups F and G	T6 (85 °C [185 °F])	—
	Class III, Divisions 1 and 2	T6 (85 °C [185 °F])	—
855XH- 117 dB Sounder	Class I, Division 2, Groups A, B, C, D	T3C (160 °C [320 °F])	T4 (135 °C [275 °F])
	Class II, Division 2, Groups F and G	T6 (85 °C [185 °F])	—
	Class III, Divisions 1 and 2	T6 (85 °C [185 °F])	—
855XC- Sound/Strobe Combination	Class I, Division 2, Groups A, B, C, D	T2D (215 °C [419 °F])	T3 (200 °C [392 °F])
	Class II, Division 2, Groups F and G	T5 (100 °C [212 °F])	T6 (85 °C [185 °F])
	Class III, Divisions 1 and 2	T5 (100 °C [212 °F])	T6 (85 °C [185 °F])
855XL- Loudspeaker	Class I, Division 2, Groups A, B, C, D	T4 (135 °C [275 °F])	T4A (120 °C [248 °F])
	Class II, Division 2, Groups F and G	T6 (85 °C [185 °F])	—
	Class III, Divisions 1 and 2	T6 (85 °C [185 °F])	—

**Table 145 - Standards and Certifications**

Attribute	Bulletin 855X — Hazardous Location Horns, Beacons, and Loudspeakers
Standards Compliance	<ul style="list-style-type: none"> <li>• UL 508</li> <li>• UL 1604</li> <li>• CSA C22.2 No. 14</li> <li>• CSA C22.2 No. 213</li> <li>• EN/IEC 60947-1</li> <li>• EN/IEC 60947-5-1</li> </ul>
Certifications	<ul style="list-style-type: none"> <li>• CE Marked</li> <li>• c-UL-us Listed (File No. E305538 for Beacons and File No. E305533 for Horns and Combination units) for Class I, Division 2, Groups A, B, C, and D; Class II, Division 2, Groups F &amp; G, and Class III, Division 1 &amp; 2</li> </ul>

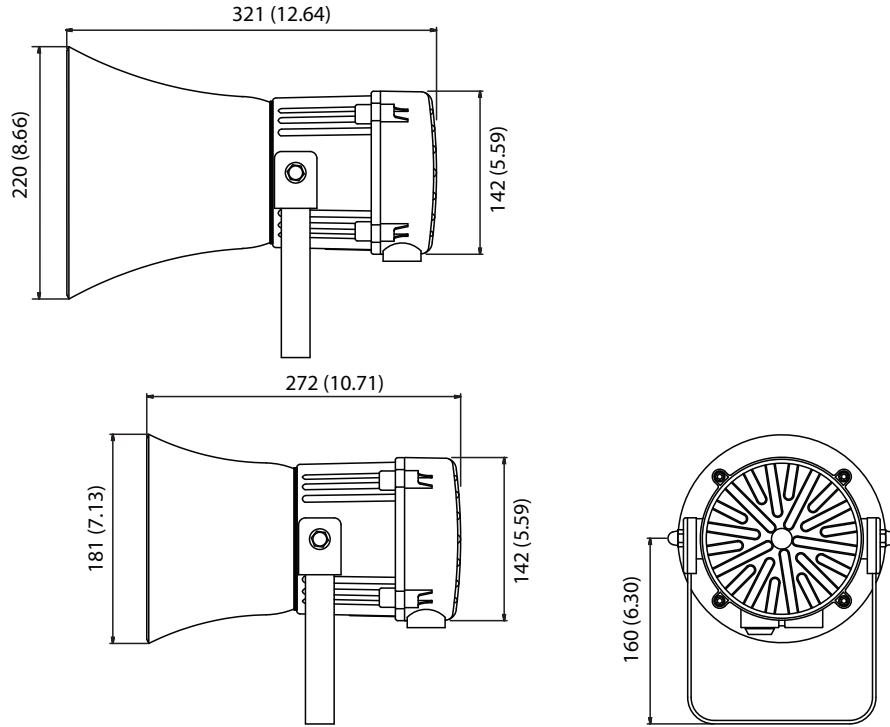
### Tone Selection Table for 855XH and 855XC Units

Stage 1	Frequency Description	Switch						Stage 2	Stage 3
		1	2	3	4	5	6		
1	340 Hz, Continuous	0	0	0	0	0	0	Tone 2	Tone 5
2	800/1000 Hz @ 0.25 s, Alternating	1	0	0	0	0	0	Tone 17	Tone 5
3	500/1200 Hz @ 0.3 Hz s, Slow Whoop	0	1	0	0	0	0	Tone 2	Tone 5
4	800/1000 Hz @ 1 Hz, Sweeping	1	1	0	0	0	0	Tone 6	Tone 5
5	2400 Hz, Continuous	0	0	1	0	0	0	Tone 3	Tone 20
6	2400/2900 Hz @ 7 Hz, Sweeping	1	0	1	0	0	0	Tone 7	Tone 5
7	2400/2900 Hz @ 1 Hz, Sweeping	0	1	1	0	0	0	Tone 10	Tone 5
8	500/1200/500 Hz @ 0.3 Hz, Sweeping	1	1	1	0	0	0	Tone 2	Tone 5
9	1200/500 Hz @ 1 Hz, - DIN PFEER P.T.A.P.	0	0	0	1	0	0	Tone 15	Tone 2
10	2400/2900 Hz @ 2 Hz, Alternating	1	0	0	1	0	0	Tone 7	Tone 5
11	1000 Hz @ 1 Hz, Intermittent	0	1	0	1	0	0	Tone 2	Tone 5
12	800/1000 Hz @ 0.875 Hz, Alternating	1	1	0	1	0	0	Tone 4	Tone 5
13	2400 Hz @ 1 Hz, Intermittent	0	0	1	1	0	0	Tone 15	Tone 5
14	800 Hz, 0.25 s ON, 1 s OFF, Intermittent	1	0	1	1	0	0	Tone 4	Tone 5
15	800 Hz, Continuous	0	1	1	1	0	0	Tone 18	Tone 5
16	660 Hz, 150 ms ON, 150 ms OFF, Intermittent	1	1	1	1	0	0	Tone 2	Tone 27
17	544 Hz (100 ms)/440 Hz (400 ms), - NF S 32-001	0	0	0	0	1	0	Tone 2	Tone 5
18	660 Hz, 1.8 s ON, 1.8 s OFF, Intermittent	1	0	0	0	1	0	Tone 2	Tone 5
19	1.4 kHz . . . 1.6 kHz 1 s, 1.6 kHz . . . 1.4 kHz 0.5 s, - NFC48-265	0	1	0	0	1	0	Tone 2	Tone 5
20	660 Hz, Continuous	1	1	0	0	1	0	Tone 2	Tone 5
21	554 Hz/440 Hz @ 1 Hz, Alternating	0	0	1	0	1	0	Tone 2	Tone 5
22	544 Hz @ 0.875 s, Intermittent	1	0	1	0	1	0	Tone 2	Tone 5
23	800 Hz @ 2 Hz, Intermittent	0	1	1	0	1	0	Tone 6	Tone 5
24	800/1000 Hz @ 50 Hz, Sweeping	1	1	1	0	1	0	Tone 29	Tone 5
25	2400/2900 Hz @ 50 Hz, Sweeping	0	0	0	1	1	0	Tone 29	Tone 5
26	Bell	1	0	0	1	1	0	Tone 2	Tone 15
27	554 Hz, Continuous	0	1	0	1	1	0	Tone 26	Tone 5
28	440 Hz, Continuous	1	1	0	1	1	0	Tone 2	Tone 5
29	800/1000 Hz @ 7 Hz, Sweeping	0	0	1	1	1	0	Tone 7	Tone 5
30	300 Hz, Continuous	1	0	1	1	1	0	Tone 2	Tone 5
31	660/1200 Hz @ 1 Hz, Sweeping	0	1	1	1	1	0	Tone 26	Tone 5
32	Two-tone chime	1	1	1	1	1	0	Tone 26	Tone 15
33	745 Hz @ 1 Hz, Intermittent	0	0	0	0	0	1	Tone 2	Tone 5
34	1000 Hz & 2000 Hz @ 0.5 s, Alternating - Singapore	1	0	0	0	0	1	Tone 38	Tone 45
35	420 Hz @ 0.625 s, Australian Alert	0	1	0	0	0	1	Tone 36	Tone 5
36	500 . . . 1200 Hz 3.75 s/0.25 s, Australian Evac.	1	1	0	0	0	1	Tone 35	Tone 5
37	1000 Hz, Continuous, - PFEER Toxic Gas	0	0	1	0	0	1	Tone 9	Tone 45
38	2000 Hz, Continuous	1	0	1	0	0	1	Tone 34	Tone 45
39	800 Hz 0.25 s ON, 1 sec OFF, Intermittent	0	1	1	0	0	1	Tone 23	Tone 17
40	544 Hz (100 ms)/440 Hz (400 ms), - NF S 32-001	1	1	1	0	0	1	Tone 31	Tone 27
41	Motor Siren - slow rise to 1200 Hz	0	0	0	1	0	1	Tone 2	Tone 5
42	Motor Siren - slow rise to 800 Hz	1	0	0	1	0	1	Tone 2	Tone 5
43	1200 Hz, Continuous	0	1	0	1	0	1	Tone 2	Tone 5
44	Motor Siren - slow rise to 2400 Hz	1	1	0	1	0	1	Tone 2	Tone 5
45	1 kHz 1 s ON, 1 s OFF, Intermittent, - PFEER Gen. Alarm	0	0	1	1	0	1	Tone 38	Tone 34

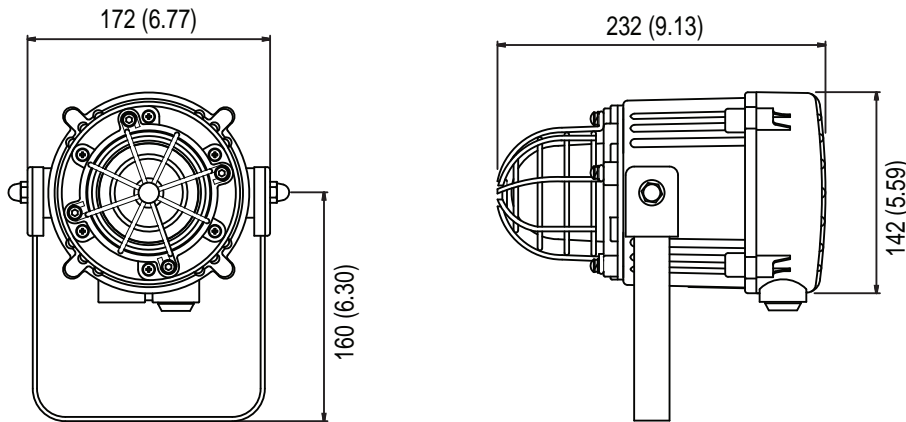
## Approximate Dimensions

Dimensions in millimeters (inches). Dimensions are not intended to be used for manufacturing purposes.

**Figure 17 - Horns**

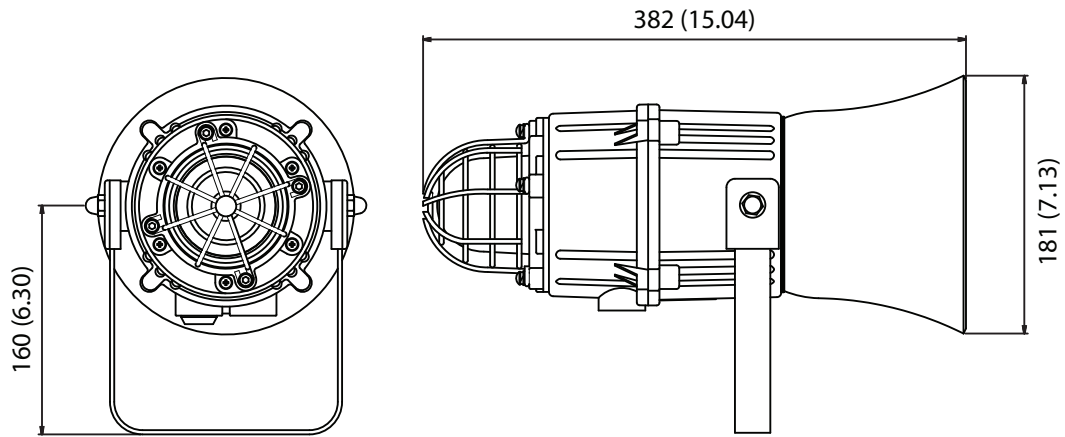


**Figure 18 - Beacons**

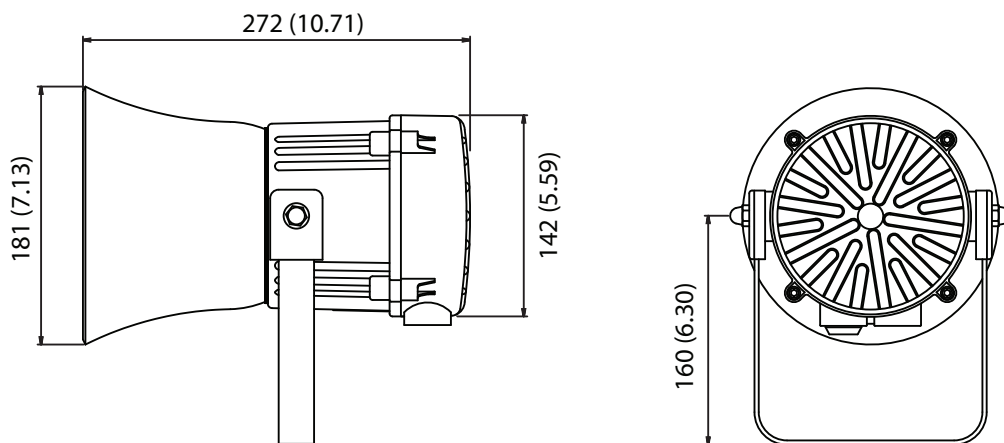


Dimensions in millimeters (inches). Dimensions are not intended to be used for manufacturing purposes.

**Figure 19 - Horn and Beacon Combinations**



**Figure 20 - Public Address Loudspeakers**



## Bulletin 855XM Hazardous Location Metal Horns

These devices are designed to alert you to critical equipment and system needs on the plant floor. These alarms are available in a wide variety of light and sound functions, sizes, colors, voltages, and mounting options. These devices are also offered pre-assembled to save time.

- Provides low power consumption and long life
- Offers horn only or horn and attached beacon with six lens colors
- Offers 24V DC, 120V AC, and 240V AC voltage options
- Includes marine-grade aluminum enclosure with a compact footprint
- Offers -40...+70 °C (-40...+158 °F) operating temperature for Class 1 Division 2
- NEMA Type 4/4X/13, IP66 certified
- ATEX/IECEX, Zone 2 and Zone 22
- Class 1 Zone 2; Class 1 Zone 22

### Alarm Horn Sounders



855XM – C G M D24 D A 4  
                   a       b       c       d       e       f       g

a	
Product Type	
Code	Description
H	Horn only
C	Horn with attached xenon strobe

b	
Housing Color	
Code	Description
G	Gray

c	
Conduit Entry	
Code	Description
M	Two M20 x 1.5 mm conduit entries

d	
Voltage	
Code	Description
D24	20...28V DC <sup>(3)</sup>
D30	10...30V DC <sup>(4)</sup>
A10	115...125V AC 60 Hz
A20	215...250V AC 50 Hz


e	
Horn Type	
Code	Description
D	116 dB (A) @ 1 m (3.3 ft), 64 tones, 4 stages

f	
Beacon Type <sup>(1)(2)</sup>	
Code	Description
Blank	No light
A	5 J, strobe
B	10 J, strobe

g	
Lens Color <sup>(1)(2)</sup>	
Code	Description
Blank	No light
4	Red
5	Amber
7	Clear

(1) Beacon type and lens color must be Blank for Cat. No. 855XM-H.  
 (2) Beacon type and lens color cannot be Blank for Cat. No. 855XM-C.  
 (3) Voltage code D24 only valid with beacon code A and B (Table f).  
 (4) Voltage code D30 not valid with beacon code A and B (Table f).

## Accessories

	Plastic Lens Insert Color	Cat. No.
	Green	855XM-ABL3
	Red	855XM-ABL4
	Amber	855XM-ABL5
	Blue	855XM-ABL6
	Clear	855XM-ABL7
	Yellow	855XM-ABL8

## Specifications

**Table 146 - Mechanical**

Device	The following are reference guidelines for maximum shock and vibration standards for the 855XM horn.	
	Shock [G]	Vibration [G]
Metal horn	40	3
Metal horn with attached beacon	30	3

**Table 147 - Environmental**

Attribute	Device	Value	
Ingress rating	Horn and horn with attached beacon	UL Type 4/4X/13/3R, IP66	
		Operating	Storage
Temperature range	Electronic horn	-40...+50°C (-40...+122 °F) <sup>(1)</sup>	-40...+70 °C (-40...+158 °F)
	Horn with attached beacon	-40...+50 °C (-40...+122 °F)	-40...+70 °C (-40...+158 °F)

(1) -40...+158 °F (-40...+70 °C) for Class 1/Div.2

**Table 148 - Materials**

Part	Material
Housing (gray powder coat)	Marine grade aluminum (Al Si12 Cu)
Screws	Stainless steel
Beacon lens	Polycarbonate over glass
Lens cage	Stainless steel
Gasket (Cover to Base)	O-ring Fluorosilicone UL
Gasket (Screw Mounting Hole)	Fiber washer

**Table 149 - Performance Ratings**

Device	Sound Output @ 1 m (3.3 ft) <sup>(1)</sup>	Volume Control	No. of Tones	Stages
Metal Horn	116 dB(A), max	Adjustable -12 dB(A)	64	4
	Light Output (Xenon Strobe Beacon- 5 J)		Light Output (Xenon Strobe Beacon- 10 J)	
Red LED Beacon	14.6 cd eff/120,000 cd peak		42.83 cd eff/240,000 cd peak	
Amber LED Beacon	45.8 cd eff/350,000 cd peak		130.9 cd eff/700,000 cd peak	
Clear LED Beacon	80.6 cd eff/500,000 cd peak		243.1 cd eff/1,000,000 cd peak	

(1) SPL data ±3 dB(A). Measured at optimum voltage.



**Table 150 - Operating Voltage and Current Consumption**

Device	Operating Voltage	Nominal Maximum	Inrush	Leakage Immunity
<b>Horns</b>				
855XM-HGMD30D	10...30V DC	160 mA @ 12V DC	611 mA, 11 ms	>3 mA
		313 mA @ 24V DC	1809 mA, 9 ms	
		225 mA @ 30V DC	2483 mA, 7 ms @ 30V DC	
855XM-HGMA10D	115V AC 60 Hz ±10%	89 mA @ 115V AC 60 Hz	710 mA, 8 ms	
855XM-HGMA20D	230V AC 50 Hz ±10%	52 mA @ 230V AC 60 Hz	350 mA, 7 ms	
<b>Horns with Beacon</b>				
855XM-CGMD24DAx	20...28V DC	513 mA @ 24V DC (5 J)	1932 mA, 10 ms	>3 mA
855XM-CGMD24DBx	20...28V DC	876 mA @ 24V DC (10 J)	2074 mA, 11 ms	
855XM-CGMA10DAx	115...125V AC, 60 Hz	174 mA @ 115V AC (5 J)	975 mA, 3 ms	
855XM-CGMA10DBx	115...125V AC, 60 Hz	320 mA @ 115V AC (10 J)	1031 mA, 3 ms	
855XM-CGMA20DAx	215...250V AC, 50 Hz	63 mA @ 230V ACDC (5 J)	1607 mA, 3 ms	
855XM-CGMA20DBx	215...250V AC, 50 Hz	100 mA @ 230V AC (10 J)	1628 mA, 3 ms	

**Table 151 - Flashing Frequency**

Device	Frequency
Horns with strobe	1 Hz

**Table 152 - Miscellaneous**

Attribute	Value
Cable entry	Two M20x 1.5 mm threaded holes
Terminal blocks	0.5...2.5 mm <sup>2</sup> (20...14 AWG)
Grounding stud	M5

**Table 153 - ATEX/IECEx Certification**

Zone	Group	Temperature Code
<b>855XM Hazardous Location Metal Horn</b>		
Zone 2	Group IIA (propane) Group IIB (ethylene) Group IIC (hydrogen/acetylene)	T1 (450 °C [842 °F]) T2 (300 °C [572 °F]) T3 (200 °C [392 °F]) T4 (135 °C [275 °F])
Zone 22 <sup>(1)</sup>	Group IIIA (combustible flyings) Group IIIB (non-conductive dust) Group IIIC (conductive dust)	—
<b>855XM-C Hazardous Location Metal Horn with Strobe</b>		
Zone 2	Group IIA (propane) Group IIB (ethylene) Group IIC (hydrogen/acetylene)	T1 (450 °C [842 °F]) T2 (300 °C [572 °F])
Zone 22 <sup>(2)</sup>	Group IIIA (combustible flyings) Group IIIB (non-conductive dust) Group IIIC (conductive dust)	—

(1) Maximum surface temperature for dust applications is 90 °C (194 °F).

(2) Maximum surface temperature for dust applications is 90 °C (194 °F) for Cat. No. 855XM-CGMxxxDA\* and 110 °C (230 °F) for Cat. No. 855XM-CGMxxxDB\*.

**Table 154 - Class/Zone Ratings — US**

Device	Rating
Horn	<ul style="list-style-type: none"> <li>Class I, Zone 2 AEx nA IIC T4 Gc (Ta -40...+50 °C [-40...+122 °F])</li> <li>Class I, Zone 22 AEx tc IIIC T90 °C Dc (Ta -40...+50 °C [-40...+122 °F])</li> </ul>
Horn with 5 J strobe	<ul style="list-style-type: none"> <li>Class I, Zone 2 AEx nA IIC T2 Gc (Ta -40...+50 °C [-40...+122 °F])</li> <li>Class I, Zone 22 AEx tc IIIC 120 °C Dc (Ta -40...+50 °C [-40...+122 °F])</li> </ul>
Horn with 10 J strobe	<ul style="list-style-type: none"> <li>Class I, Zone 2 AEx nA IIC T1 Gc (Ta -40...+50 °C [-40...+122 °F])</li> <li>Class I, Zone 2 AEx nA IIC T2 Gc for (Ta -40...+40 °C [-40...+104 °F])</li> <li>Class I, Zone 22 AEx tc IIIC 120 °C Dc (Ta -40...+50 °C [-40...+122 °F])</li> </ul>

All horns (with and without strobe) comply with the following:

- ANSI/UL 60079-0-2013
- ANSI/UL 60079-15-2013
- ISA60079-31-2013

**Table 155 - Class/Zone Ratings — Canada**

Device	Rating
Horn	<ul style="list-style-type: none"> <li>• Ex nA IIC T4 Gc X (Ta -40...+50 °C [-40...+122 °F])</li> <li>• Ex tc IIIC T90 °C Dc (Ta -40...+50 °C [-40...+122 °F])</li> <li>• Class II Div 2 FG T5 (Ta -40...+50 °C [-40...+122 °F])</li> </ul>
Horn with 5 J strobe	<ul style="list-style-type: none"> <li>• Ex nA IIC T2B Gc X (Ta -40...+50 °C [-40...+122 °F])</li> <li>• Ex nA IIC T2C Gc X (Ta -40...+45 °C [-40...+113 °F])</li> <li>• Ex tc IIIC T120 °C Dc (Ta -40...+50 °C [-40...+122 °F])</li> <li>• Class II, Div 2 FG T4A (Ta -40...+50 °C [-40...+122 °F])</li> </ul>
Horn with 10 J strobe	<ul style="list-style-type: none"> <li>• Ex nA IIC T1 Gc X (Ta -40...+50 °C [-40...+122 °F])</li> <li>• Ex nA IIC T2 Gc X (Ta -40...+40 °C [-40...+104 °F])</li> <li>• Ex tc IIIC T120 °C Dc (Ta -40...+50 °C [-40...+122 °F])</li> <li>• Class II, Div 2 FG T4A (Ta -40...+50 °C [-40...+122 °F])</li> </ul>

All horns (with and without strobe) comply with the following:

- CAN/CSA C22.2 No. 60079-0:11
- CAN/CSA C22.2 No. 60079-15:12
- CAN/CSA C22.2 No. 60079-31:12

**Table 156 - Class/Division Ratings — US and Canada**

Device	Rating
Horn	<ul style="list-style-type: none"> <li>• Class I Div 2, ABCD T3C (Ta -40...+70 °C [-40...+158 °F])</li> <li>• Class I Div 2, ABCD T4 (Ta -40...+65 °C [-40...+149 °F])</li> <li>• Class I Div 2, ABCD T4A (Ta -40...+50 °C [-40...+122 °F])</li> <li>• Class II Div 2, FG T5 (Ta -40...+50 °C [-40...+122 °F])</li> <li>• Class II Div 2, FG T6 (Ta -40...+45 °C [-40...+113 °F])</li> <li>• Class III Div 1 &amp; 2 (Ta -40...+50 °C [-40...+122 °F])</li> </ul>
Horn with 5 J strobe	<ul style="list-style-type: none"> <li>• Class I Div 2, ABCD T2B (Ta -40...+70 °C [-40...+158 °F])</li> <li>• Class I Div 2, ABCD T2C (Ta -40...+55 °C [-40...+131 °F])</li> <li>• Class I Div 2, ABCD T2D (Ta -40...+40 °C [-40...+104 °F])</li> <li>• Class II Div 2, FG T5 (Ta -40...+50 °C [-40...+122 °F])</li> <li>• Class III Div 1&amp;2 (Ta -40...+50 °C [-40...+122 °F])</li> </ul>
Horn with 10 J strobe	<ul style="list-style-type: none"> <li>• Class I Div 2, ABCD T1 (Ta -40...+70 °C [-40...+158 °F])</li> <li>• Class I Div 2, ABCD T2 (Ta -40...+50 °C [-40...+122 °F])</li> <li>• Class II Div 2, FG T4A (Ta -40...+50 °C [-40...+122 °F])</li> <li>• Class II Div 2, FG T5 (Ta -40...+104 °F [-40...+40 °C])</li> <li>• Class III Div 1&amp;2 (Ta -40...+50 °C [-40...+122 °F])</li> </ul>

All horns (with and without strobe) comply with the following:

- ANSI/ISA 12.12.01 – 2013
- CSA C22.2 No. 213-M1987
- CSA C22.2 No. 157-92:2006

**Table 157 - Standards and Certifications**

Attribute	Bulletin 855XM — Hazardous Location Metal Horns
Standards Compliance	<ul style="list-style-type: none"> <li>• c-UL-us Listed UL464/UL 1608 File No. E305533</li> <li>• CSA C22.2 No. 213-M1987</li> <li>• CSA C22.2 No. 157-92:2006</li> <li>• CE — European Explosive Atmosphere Directive 94/9/EC and European EMC Directive 2004/108/EC</li> <li>• EN60079-0:2012/IEC60079-0: ed. 6.0 (2011-06)</li> <li>• EN60079-15:2010/IEC60079-15: ed. 4.0 (2010-01)</li> <li>• EN60079-31:2009/IEC60079-31:2009 ed. 1.0 (corr. 1 2009)</li> </ul>
Certifications	<ul style="list-style-type: none"> <li>• CE Marked</li> <li>• UL Listed for:                             <ul style="list-style-type: none"> <li>– Class I, Division 2, Groups A, B, C, and D</li> <li>– Class II, Division 2, Groups F and G</li> <li>– Class III, Division 1 and 2 (see Temperature Codes in <a href="#">Table 153</a> on <a href="#">page 118</a>)</li> </ul> </li> <li>• ATEX/IECEx: Zone 2 Groups IIA, B, C and Zone 22 Groups IIIA, B, and C</li> <li>• Ex Rating (Horn): II 3G Ex nA IIC T4 Gc and II 3D Ex tc IIIC T90 °C Dc (Ta -40...+50 °C [-40...+122 °F])</li> <li>• Ex Rating (Horn with 5 J Strobe): II 3G Ex nA IIC T2 Gc and II 3D Ex tc IIIC T90 °C Dc (Ta -40...+50 °C [-40...+122 °F])</li> <li>• Ex Rating (Horn with 10 J Strobe): II 3G Ex nA IIC T1 Gc and II 3D Ex tc IIIC T110 °C Dc (Ta -40...+50 °C [-40...+122 °F]); [II 3G Ex nA IIC T2 Gc for Ta -40...+40 °C (-40...+104 °F)]</li> </ul>

## Tone Selection Table for 855XM

**Tone Selection** – To select the required first stage tone, set the tone switches 1...6 to the tone setting shown in the following table. The table also shows which 2nd, 3rd, and 4th stage tones are available for use with the selected first stage tone if more than one tone output is required.

Stage 1 Tone No.	Tone Description	Tone Visual	Switch						Stage 2 Alarm (S2)	Stage 3 Alarm (S3)	Stage 4 Alarm (S2+S3)
			1	2	3	4	5	6			
1	1000 Hz PFEER toxic gas	1000 Hz	0	0	0	0	0	0	3	2	44
2	1200/500 @ 1 Hz DIN / PFEER P.T.A.P.	1200 Hz	1	0	0	0	0	0	1	3	44
3	1000 @ 0.5 Hz(1 s on/1 s off) PFEER gen. alarm	1000 Hz	0	1	0	0	0	0	1	2	44
4	1.4...1.6 kHz 1 s, 1.6...1.4 kHz 0.5 s NF C 48-265	1600 Hz	1	1	0	0	0	0	44	24	1
5	544 (100 ms)/440 (400 ms) NF S 32-001	554 Hz	0	0	1	0	0	0	52	19	1
6	1500/500 - (0.5 s on/0.5 s off) x3 + 1 s gap AS4428	1500 Hz	1	0	1	0	0	0	7	44	1
7	500...1500 Hz sweeping 2 s on/1 s off AS4428	1500 Hz	0	1	1	0	0	0	6	44	1
8	500/1200 Hz @ 0.26 Hz(3.3 s on/0.5 s off) Netherlands - NEN 2575	1200 Hz	1	1	1	0	0	0	44	24	35
9	1000 (1 s on/1 s off) x7 + (7 s on/1 s off)	1000 Hz	0	0	0	1	0	0	18	34	1
10	IMO Code 1a	1000 Hz	1	0	0	1	0	0	21	34	1
11	420 (0.5 s on/0.5 s off) x3 + 1 s gap ISO 8201 temporal pattern	420 Hz	0	1	0	1	0	0	44	1	8
12	1000 (0.5 s on/0.5 s off) x3 + 1 s gap ISO 8201 temporal pattern	1000 Hz	1	1	0	1	0	0	44	1	8
13	422/775 - (0.85 s on/0.5 s off) x3 + 1 s gap NFPA - temporal	775 Hz	0	0	1	1	0	0	44	1	8
14	1000/2000 @ 1 Hz Singapore	2000 Hz	1	0	1	1	0	0	23	3	35
15	300 continuous	300 Hz	0	1	1	1	0	0	44	24	35
16	440 continuous	440 Hz	1	1	1	1	0	0	44	24	35
17	470 continuous	470 Hz	0	0	0	0	1	0	44	24	35
18	500 continuous IMO Code 2 (low)	500 Hz	1	0	0	0	1	0	44	24	35
19	554 continuous	554 Hz	0	1	0	0	1	0	64	24	35
20	660 continuous	660 Hz	1	1	0	0	1	0	44	24	35
21	800 IMO Code 2 (high)	800 Hz	0	0	1	0	1	0	44	24	35
22	1200 continuous	1200 Hz	1	0	1	0	1	0	44	24	35
23	2000 continuous	2000 Hz	0	1	1	0	1	0	15	3	35
24	2400 continuous	2400 Hz	1	1	1	0	1	0	48	20	35
25	440 @ 0.83 Hz (50 cycles/min) intermittent	440 Hz	0	0	0	1	1	0	1	44	8
26	470 @ 0.9 Hz - 1.1 s intermittent	470 Hz	1	0	0	1	1	0	1	44	8
27	470 @ 5 Hz - (5 cycles/s) intermittent	470 Hz	0	1	0	1	1	0	1	44	8
28	544 @ 1.14 Hz - 0.875 s intermittent	470 Hz	1	1	0	1	1	0	44	24	8
29	655 @ 0.875 Hz intermittent	655 Hz	0	0	1	1	1	0	1	44	8
30	660 @ 0.28 Hz - 1.8 s on/1.8 s off intermittent	660 Hz	1	0	1	1	1	0	44	24	8
31	660 @ 3.34 Hz - 150 ms on/150 ms off intermittent	660 Hz	0	1	1	1	1	0	30	24	8
32	745 @ 1 Hz intermittent	745 Hz	1	1	1	1	1	0	44	24	8
33	800 - 0.25 s on/1 s off intermittent	800 Hz	0	0	0	0	1	53	24	8	

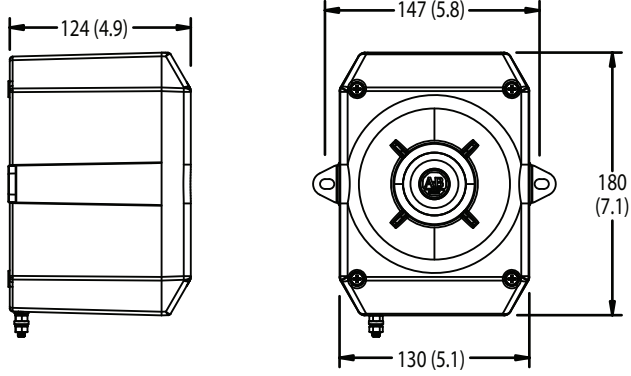
**Tone Selection** – To select the required first stage tone, set the tone switches 1...6 to the tone setting shown in the following table. The table also shows which 2nd, 3rd, and 4th stage tones are available for use with the selected first stage tone if more than one tone output is required.

Stage 1 Tone No.	Tone Description	Tone Visual	Switch						Stage 2	Stage 3	Stage 3
			1	2	3	4	5	6			
34	800 @ 2 Hz IMO Code 3.a (high) intermittent		1	0	0	0	0	1	56	24	8
35	1000 @ 1 Hz intermittent		0	1	0	0	0	1	44	24	8
36	2400 @ 1 Hz intermittent		1	1	0	0	0	1	21	24	8
37	2900 @ 5 Hz intermittent		0	0	1	0	0	1	53	24	8
38	363/518 @ 1 Hz alternating		1	0	1	0	0	1	1	8	19
39	450/500 @ 2 Hz alternating		0	1	1	0	0	1	1	8	19
40	554/440 @ 1 Hz alternating		1	1	1	0	0	1	44	24	19
41	554/440 @ 0.625 Hz alternating		0	0	0	1	0	1	1	8	19
42	561/760 @ 0.83 Hz (50 cycles/min) alternating		1	0	0	1	0	1	1	8	19
43	780/600 @ 0.96 Hz alternating		0	1	0	1	0	1	1	8	19
44	800/1000 @ 2 Hz alternating		1	1	0	1	0	1	5	24	19
45	970/800 @ 2 Hz alternating		0	0	1	1	0	1	1	8	19
46	800/1000 @ 0.875 Hz alternating		1	0	1	1	0	1	53	24	19
47	2400/2900 @ 2 Hz alternating		0	1	1	1	0	1	57	24	19
48	500/1200 @ 0.3 Hz sweeping		1	1	1	1	0	1	44	24	12
49	560/1055 @ 0.18 Hz sweeping		0	0	0	0	1	1	44	24	12
50	560/1055 @ 3.3 Hz sweeping		1	0	0	0	1	1	44	24	12
51	600/1250 @ 0.125 Hz sweeping		0	1	0	0	1	1	44	24	12
52	660/1200 @ 1 Hz sweeping		1	1	0	0	1	1	64	24	12
53	800/1000 @ 1 Hz sweeping		0	0	1	0	1	1	56	24	12
54	800/1000 @ 7 Hz sweeping		1	0	1	0	1	1	57	24	12
55	800/1000 @ 50 Hz sweeping		0	1	1	0	1	1	54	24	12
56	2400/2900 @ 7 Hz sweeping		1	1	1	0	1	1	57	24	12
57	2400/2900 @ 1 Hz sweeping		0	0	0	1	1	1	47	24	12
58	2400/2900 @ 50 Hz sweeping		1	0	0	1	1	1	54	24	12
59	2500/3000 @ 2 Hz sweeping		0	1	0	1	1	1	44	24	12
60	2500/3000 @ 7.7 Hz sweeping		1	1	0	1	1	1	44	24	12
61	800 motor siren		0	0	1	1	1	1	44	24	12
62	1200 motor siren		1	0	1	1	1	1	44	24	12
63	2400 motor siren		0	1	1	1	1	1	44	24	12
64	Simulated bell		1	1	1	1	1	1	44	21	12

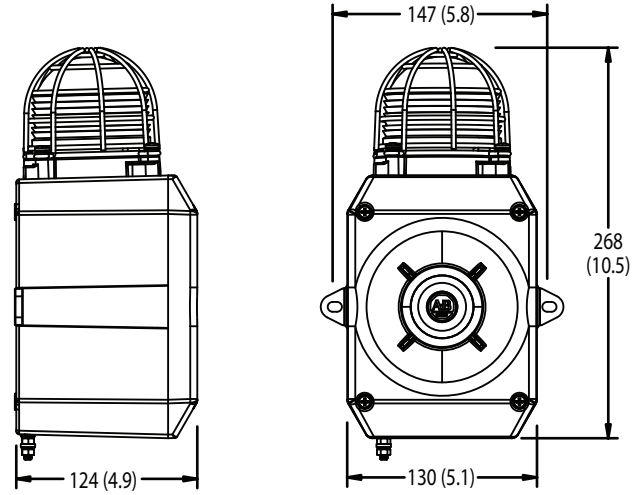
## Approximate Dimensions

Dimensions in millimeters (inches). Dimensions are not intended to be used for manufacturing purposes.

855XM Hazardous Location Metal Horn



855XM-C Hazardous Location Metal Horn with Xenon Strobe



**Notes:**

# Rockwell Automation Support

Use the following resources to access support information.

<b>Technical Support Center</b>	Knowledgebase Articles, How-to Videos, FAQs, Chat, User Forums, and Product Notification Updates.	<a href="http://www.rockwellautomation.com/knowledgebase">www.rockwellautomation.com/knowledgebase</a>
<b>Local Technical Support Phone Numbers</b>	Locate the phone number for your country.	<a href="http://www.rockwellautomation.com/global/support/get-support-now.page">www.rockwellautomation.com/global/support/get-support-now.page</a>
<b>Direct Dial Codes</b>	Find the Direct Dial Code for your product. Use the code to route your call directly to a technical support engineer.	<a href="http://www.rockwellautomation.com/global/support/direct-dial.page">www.rockwellautomation.com/global/support/direct-dial.page</a>
<b>Literature Library</b>	Installation Instructions, Manuals, Brochures, and Technical Data.	<a href="http://www.rockwellautomation.com/literature">www.rockwellautomation.com/literature</a>
<b>Product Compatibility and Download Center (PCDC)</b>	Get help determining how products interact, check features and capabilities, and find associated firmware.	<a href="http://www.rockwellautomation.com/global/support/pcdc.page">www.rockwellautomation.com/global/support/pcdc.page</a>

## Documentation Feedback

Your comments will help us serve your documentation needs better. If you have any suggestions on how to improve this document, complete the How Are We Doing? form at [http://literature.rockwellautomation.com/idc/groups/literature/documents/du/ra-du002\\_-en-e.pdf](http://literature.rockwellautomation.com/idc/groups/literature/documents/du/ra-du002_-en-e.pdf).

## Rockwell Automation Support

For technical support, visit <http://www.rockwellautomation.com/support/overview.page>.

Rockwell Automation maintains current product environmental information on its website at <http://www.rockwellautomation.com/rockwellautomation/about-us/sustainability-ethics/product-environmental-compliance.page>.

Allen-Bradley, LISTEN. THINK. SOLVE., Rockwell Automation, and Rockwell Software are trademarks of Rockwell Automation, Inc. Trademarks not belonging to Rockwell Automation are property of their respective companies.

Rockwell Otomasyon Ticaret A.Ş., Kar Plaza İş Merkezi E Blok Kat:6 34752 İçerenköy, İstanbul, Tel: +90 (216) 5698400

**[www.rockwellautomation.com](http://www.rockwellautomation.com)**

### Power, Control and Information Solutions Headquarters

Americas: Rockwell Automation, 1201 South Second Street, Milwaukee, WI 53204-2496 USA, Tel: (1) 414.382.2000, Fax: (1) 414.382.4444  
Europe/Middle East/Africa: Rockwell Automation NV, Pegasus Park, De Kleetlaan 12a, 1831 Diegem, Belgium, Tel: (32) 2 663 0600, Fax: (32) 2 663 0640  
Asia Pacific: Rockwell Automation, Level 14, Core F, Cyberport 3, 100 Cyberport Road, Hong Kong, Tel: (852) 2887 4788, Fax: (852) 2508 1846

Publication 855-TD001H-EN-P - April 2019

Supersedes Publication 855-TD001G-EN-P - October 2018

Copyright © 2019 Rockwell Automation, Inc. All rights reserved. Printed in the U.S.A.