



Position switch with safety function ES 51 R 1Ö/1S

Material no.: 1047013 (material no. old: 51009001)

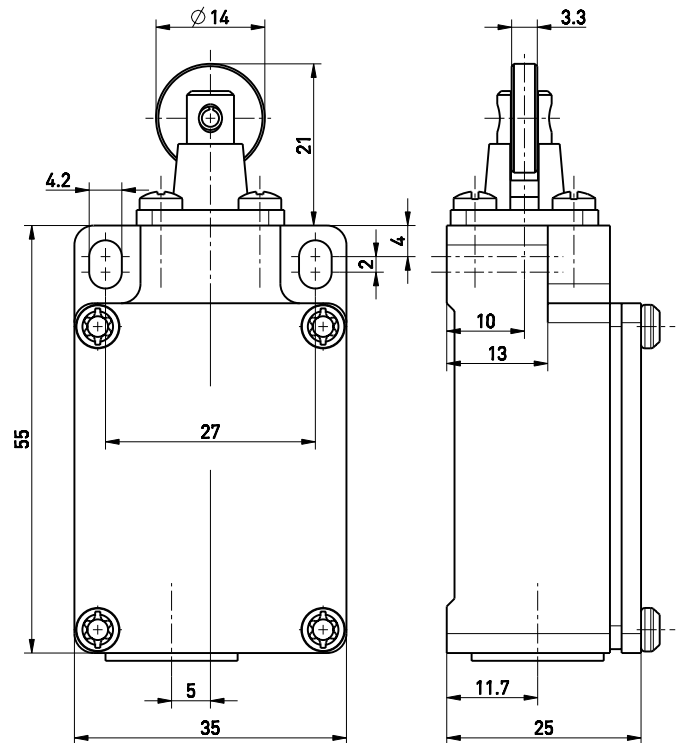
Product features

- Metal enclosure
- Slow action \ominus , change-over contact with double break
- 1 cable entry M16 x 1.5
- Actuator: Roller plunger R
- Actuating speed max. 0.5 m/s with a vertical actuating angle of 30°
- Metal roller
- Actuator can be repositioned by 4 x 90°

Notes

- When used as safety switch, secure the enclosure against slipping with appropriate means, e.g. pinning.

Dimensions



Technical data

Applied standards

EN ISO 13849-1, EN 60947-5-1, EN ISO 14119

Enclosure

aluminium die-cast, powder-coated

Switch type

type 1

Coding level

no coding

Degree of protection

IP65 (IEC/EN 60529)

B_{10d} (10 % load)

2 million

T_M

max. 20 years

Contact material

silver

Switching system

slow action, positive break NC contacts \ominus

Switching elements

1 NC/1 NO contact, type Zb

Connection

screw connection terminals

Cable cross-section

max. 1.5 mm² (incl. conductor ferrules)

Cable entry

1 x M16 x 1.5

Rated impulse withstand voltage U_{imp}

4 kV

Rated insulation voltage U_i

400 V

Conventional thermal current I_{the}

4 A

Utilisation category

AC-15

Rated operating current/voltage I_e/U_e

4 A/400 VAC

Short-circuit protection

4 A gG/gN fuse

Mechanical life

> 1 million operations

Errors and omissions excepted.



Position switch with safety function

ES 51 R 1Ö/1S

Material no.: 1047013 (material no. old: 51009001)

Technical data (contd.)

Operation cycles

max. 3600/h

Ambient temperature

-20 °C ... +80 °C

Repeat accuracy of switching points

± 0.1 mm

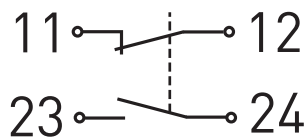
Approvals



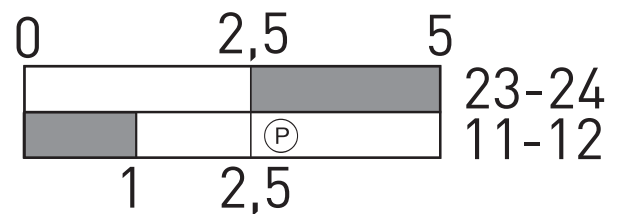
Weight

120 g

Contact diagram



Switching diagram



Ⓟ Positive break travel/angle