

# 732 Series

## Electromechanical Hour Meter



Available with stainless steel bezel

The Model 732 provides a DC Hour Meter with an operating range of 10-80VDC. Models are protected for 2 times battery voltage and/or reverse polarity. Models are available in the standard industry housings, 3-Hole Round, Flush-Rectangular, Flush-Round and 2-Hole Rectangular. A Stirrup and Cup mount are available for applications where high shock and vibration exist. Its quartz time base insures accurate long-term time keeping. The totally sealed case protects against the environment and provides years of reliable service. Most models are NEMA 4X, 12 rated when mounted with optional gasket.

### Key Features

- Operating voltage 10-80VDC
- Totally Sealed
- UL/cUL Recognized, CE & RoHS Compliant
- 6 Figure, 99999.9
- Quartz accuracy
- Options include:
  - Wire leads
  - Gasket kit (for NEMA 4X, 12 rating)
  - Custom lens
  - Terminals up, down, straight

### Applications

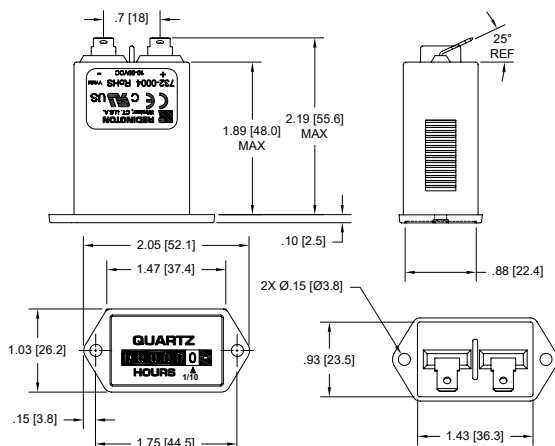
- Material Handling
- Farming Equipment
- Outdoor Power Equipment
- Construction Equipment
- Utility Vehicles

## Specification

<b>Figures</b>	6 - digits, 0.14" [3.6mm] 99999.9 Hours and indicator - white on black Decimal - black on white
<b>Reset</b>	Non-reset
<b>Voltage</b>	10-80VDC
<b>Power</b>	1 watt max.
<b>Mount</b>	Clip, mounting holes, Cup, or Stirrup
<b>Terminations</b>	1/4" [6.3mm] spade terminals
<b>Weight</b>	~2 oz [57 g]
<b>Accuracy</b>	± 0.02% over entire range
<b>Bezel</b>	Stirrup and Cup mount have metallic bezels
<b>Case Material</b>	Black polymer
<b>Lens Material</b>	Cup & Stirrup - glass All other models - polymer
<b>Transient Protection</b>	± 6 times normal for 300msec
<b>Approvals</b>	UL/cUL Recognized, CE, SAE, & RoHS Compliant. All models are NEMA 4X, 12 Compliant except the Cup and Stirrup mount
<b>Overvoltage &amp; Reverse Polarity</b>	Protected for 2 times battery voltage and/or reverse polarity
<b>Environmental</b>	Totally Sealed
<b>Front Panel</b>	NEMA 4X, 12 rated with optional gasket
<b>Temp. Range</b>	-40°F to +185°F [-40°C to + 85°C]
<b>Humidity</b>	95% (SAE J1378)
<b>Vibration</b>	10-80 Hz. 20g max. (SAE J1378)
<b>Shock</b>	55g @ 9 - 13msec (SAE J1378)

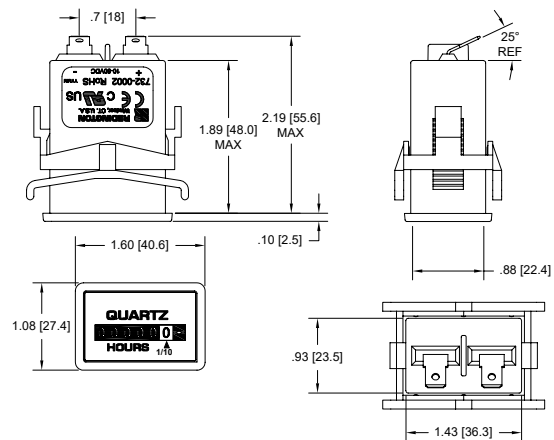
## Dimensions

**2-Hole**

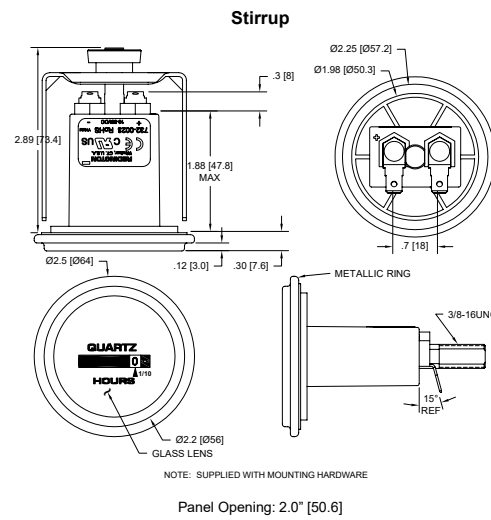
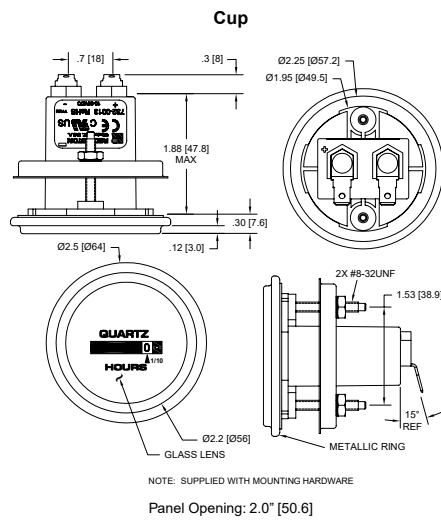
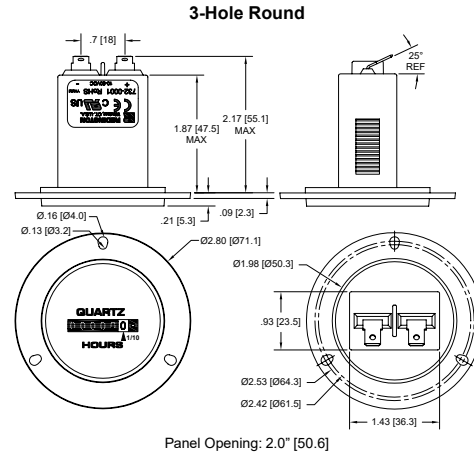
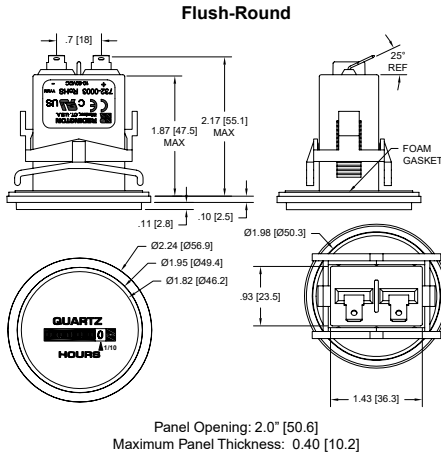


Panel Opening: 1.45" X 0.95" [36.8 X 24.1]

**Flush-Rectangular**

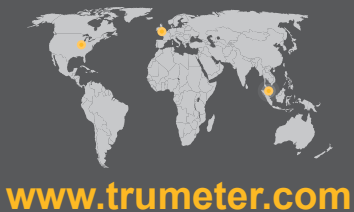


Panel Opening: 1.45" X 0.95" [36.8 X 24.1]  
Maximum Panel Thickness: 0.03 to 0.63 [0.76 to 16.00]



## Part Numbers

- 732-0001** 3-Hole Round, 10-80VDC, 1/4" [6.3mm] spade terminals, hours & 1/10's
- 732-0002** Flush-Rectangular, 10-80VDC, 1/4" [6.3mm] spade terminals, hours & 1/10's
- 732-0003** Flush-Round, 10-80VDC, 1/4" [6.3mm] spade terminals, hours & 1/10's
- 732-0004** 2-Hole Rectangular, 10-80VDC, 1/4" [6.3mm] spade terminals, hours & 1/10's
- 732-0013** Panel mt, Round, Cup, stainless steel bezel, 10-80VDC, 1/4" [6.3mm] spade terminals, hours & 1/10's
- 732-0023** Panel mt, Round, Stirrup, stainless steel bezel, 10-80VDC, 1/4" [6.3mm] spade terminals, hours & 1/10's
- 732-0030** Square 1.9" (48mm), 10-80VDC, 1/4" [6.3mm] spade terminals, hours & 1/10's
- 5003-008** NEMA 4X, 12 Gasket for Models 732-0003, 732-0013 & 732-0023
- 5003-009** NEMA 4X, 12 Gasket for Model 732-0002
- 5003-010** NEMA 4X, 12 Gasket for Model 732-0004
- 5003-011** NEMA 4X, 12 Gasket for Model 732-0001



**Trumeter (Europe)**  
Pilot Mill  
Alfred Street  
Bury,  
BL9 9EF  
Tel: +44 161 674 0960  
Email: sales.uk@trumeter.com

**Trumeter (The Americas)**  
702 S. Military Trail  
Deerfield Beach, Florida  
FL 33442,  
USA  
Tel: +1 954 725 6699  
Email: sales.usa@trumeter.com

**Innovative Design Technologies Sdn. Bhd**  
Lot 5881, Lorong Iks Bukit Minyak 1  
Taman Perindustrian Iks, 14000 Bukit Tengah  
Penang, Malaysia  
Web: www.idtworld.com  
Tel: + 604 5015700  
Email: sales.my@idtworld.com