

12 Accessories (continued)

12.3.3 BKS-S115/S116-PU-___, preassembled

BKS-S115-PU-___

Straight connector, molded-on cable, preassembled
 M12, 8-pin
 Various cable lengths can be ordered, e.g.
 BKS-S115-PU-05: Cable length 5 m

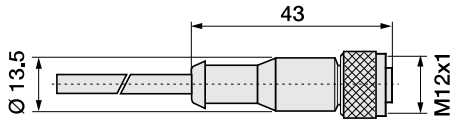


Fig. 12-6: Connector type BKS-S115-PU-___

BKS-S116-PU-___

Angled connector, molded-on cable, preassembled
 M12, 8-pin
 Various cable lengths can be ordered, e.g.
 BKS-S116-PU-05: Cable length 5 m

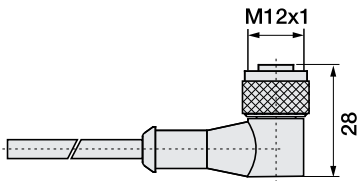


Fig. 12-7: Connector type BKS-S116-PU-___

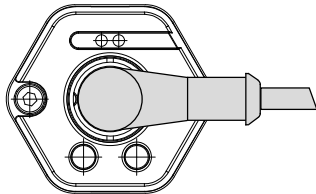


Fig. 12-8: Connector type BKS-S116-PU-___, outlet

Pin	Color
1	YE yellow
2	GY grey
3	PK pink
4	RD red
5	GN green
6	BU blue
7	BN brown
8	WH white

Tab. 12-1: BKS-S115/116-PU-___ pin assignment

12.3.4 BKS-S135/S136M-00, freely configurable

BKS-S135M-00

Straight connector, freely configurable
 M16 per IEC 130-9, 6-pin

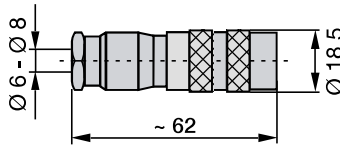


Fig. 12-9: Connector type BKS-S135M-00

BKS-S136M-00

Angled connector, freely configurable
 M16 per IEC 130-9, 6-pin

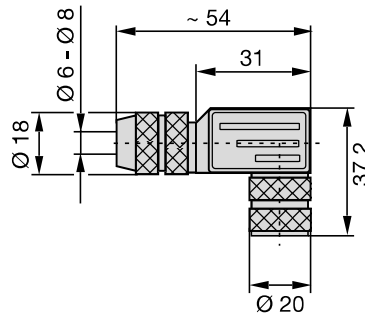


Fig. 12-10: Connector type BKS-S136M-00

12.3.5 BKS-S140-23-00, freely configurable

BKS-S140-23-00

Straight connector, freely configurable
 10-pin

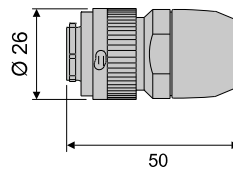


Fig. 12-11: Connector type BKS-S140-23-00