

Y distributor - SAC-3P-M12Y/2XM12FS B PE - 1683413

Please be informed that the data shown in this PDF Document is generated from our Online Catalog. Please find the complete data in the user's documentation. Our General Terms of Use for Downloads are valid (<http://phoenixcontact.com/download>)



Y distributor, 4-position, unshielded, Plug straight M12, A-coded, on Socket straight M12, A-coded, PIN 2+4 bridged and Socket straight M12, A-coded, PIN 2+4 bridged

RoHS

Key Commercial Data

Packing unit	5 pc
Minimum order quantity	5 pc
GTIN	 4 017918 164171
GTIN	4017918164171
Weight per Piece (excluding packing)	29.000 g
Custom tariff number	85366990
Country of origin	Poland

Technical data

Dimensions

Center distance	18 mm
-----------------	-------

Ambient conditions

Ambient temperature (operation)	-25 °C ... 90 °C (Plug / socket)
Degree of protection	IP65
	IP67

General

Note	with center distance of 18 mm, suitable for molded connectors and unshielded connectors that can be assembled with QUICKON IDC terminal block connection technology and a connection range of 0.14 mm ² to 0.34 mm ²
Rated current at 40°C	4 A
Rated voltage	48 V AC
	60 V DC
Number of positions	4

Y distributor - SAC-3P-M12Y/2XM12FS B PE - 1683413

Technical data

General

Insulation resistance	≥ 100 MΩ
Coding	A - standard
Standards/regulations	M12 connector IEC 61076-2-101
Status display	No
Overvoltage category	II
Degree of pollution	3
Insertion/withdrawal cycles	≥ 100
Torque	0.4 Nm (M12 connector)

Material

Flammability rating according to UL 94	HB
Contact material	CuZn
Contact surface material	Ni/Au
Contact carrier material	TPU GF
Material of grip body	TPU, hardly inflammable, self-extinguishing
Material, knurls	Zinc die-cast, nickel-plated
Sealing material	NBR

Standards and Regulations

Standard designation	M12 connector
Standards/regulations	IEC 61076-2-101
Flammability rating according to UL 94	HB

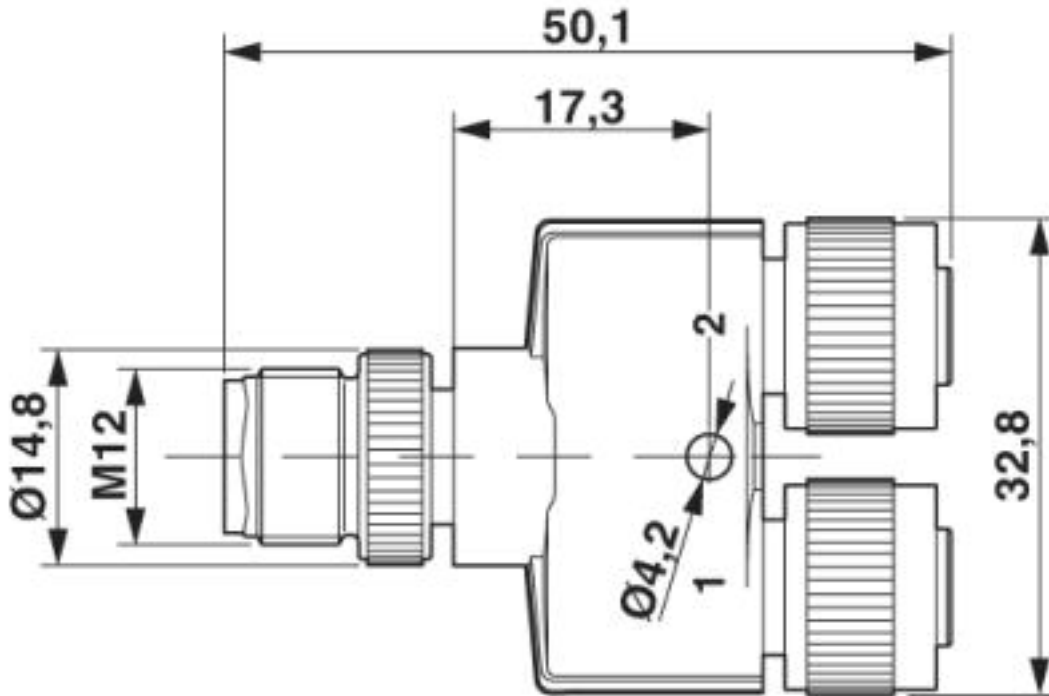
Environmental Product Compliance

REACH SVHC	Lead 7439-92-1
China RoHS	Environmentally Friendly Use Period = 50
	For details about hazardous substances go to tab "Downloads", Category "Manufacturer's declaration"

Drawings

Y distributor - SAC-3P-M12Y/2XM12FS B PE - 1683413

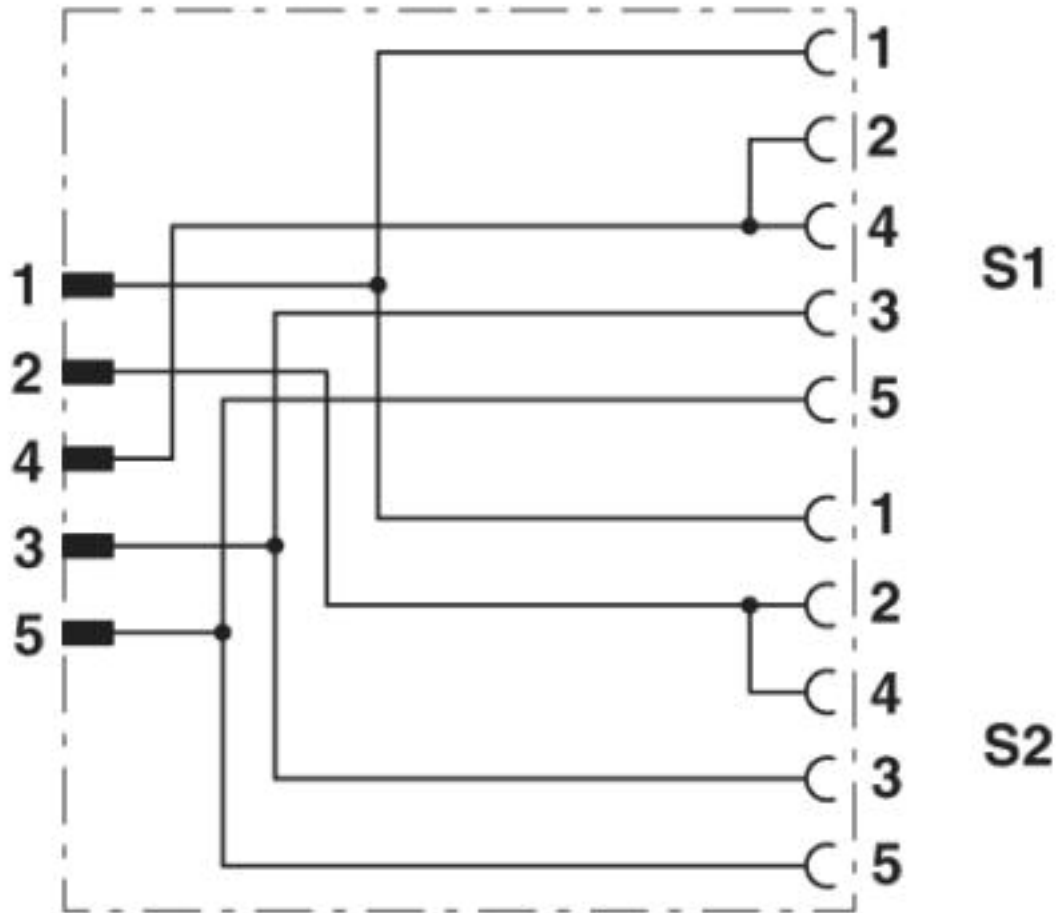
Dimensional drawing



M12 Y distributor

Y distributor - SAC-3P-M12Y/2XM12FS B PE - 1683413

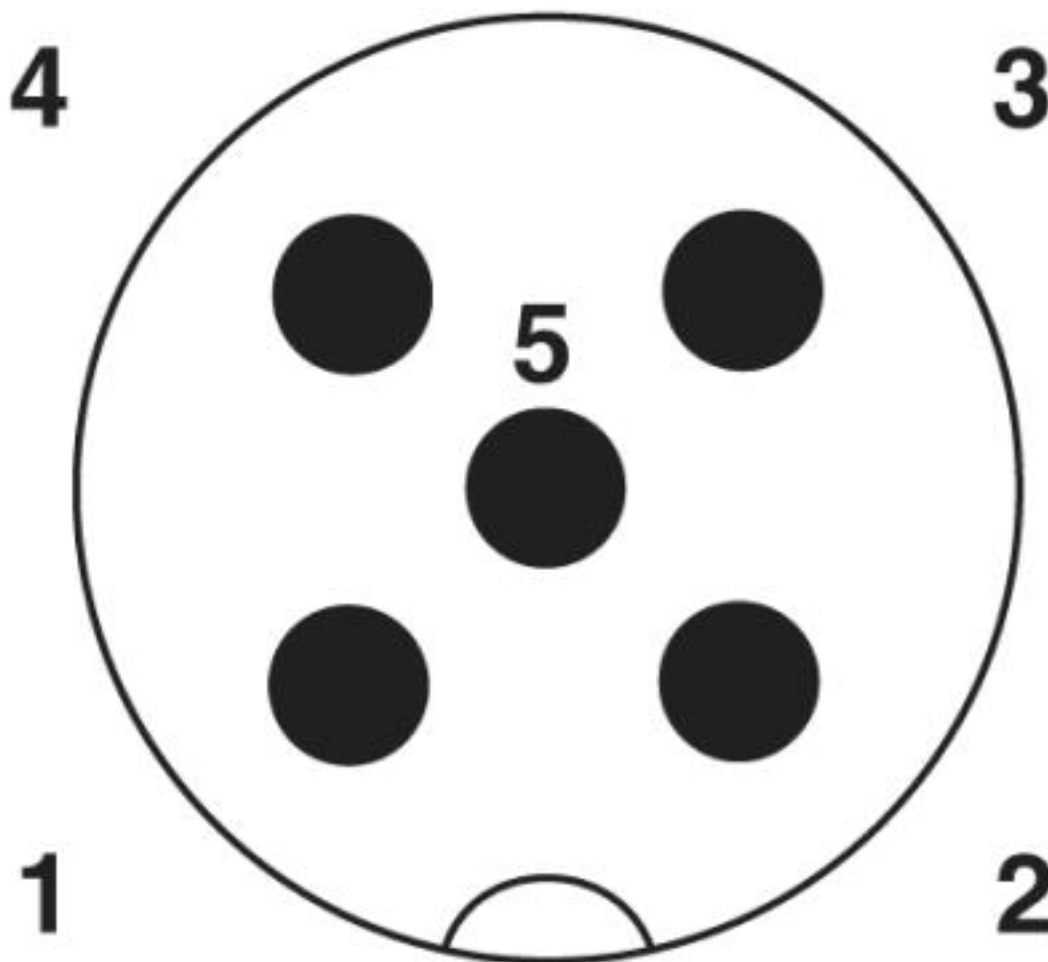
Circuit diagram



Contact assignment of the M12 Y distributor

Y distributor - SAC-3P-M12Y/2XM12FS B PE - 1683413

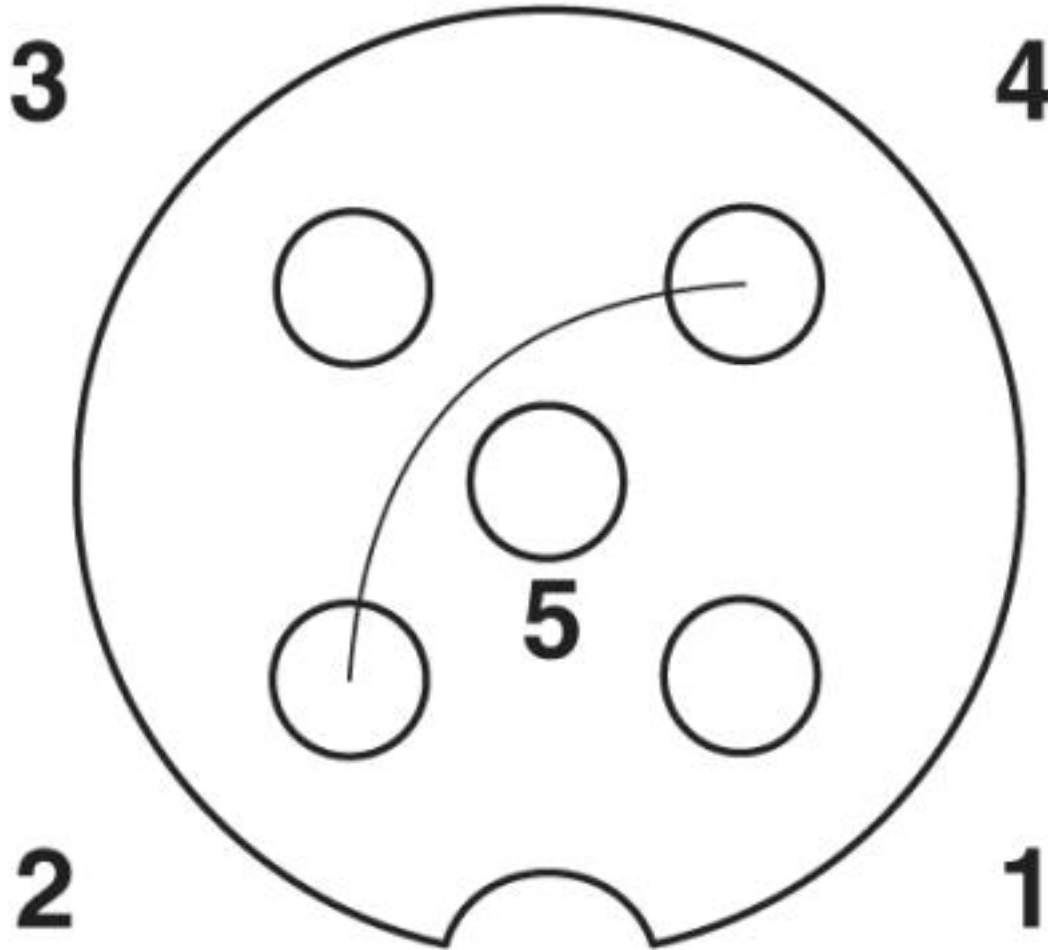
Schematic diagram



Pin assignment M12 male connector, 5-pos., A-coded, male side

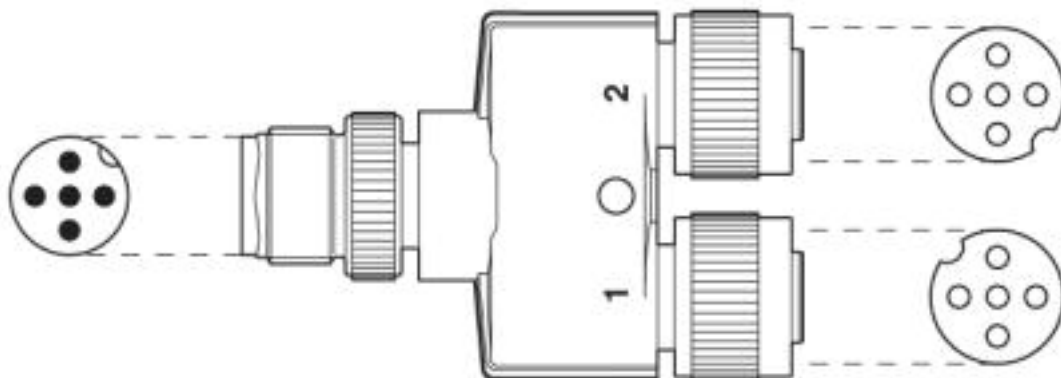
Y distributor - SAC-3P-M12Y/2XM12FS B PE - 1683413

Schematic diagram



Connector pin assignment M12 socket, 3-pos., bridged, with PE, A-coded, female side view

Schematic diagram



Layout of connector pin assignments

Y distributor - SAC-3P-M12Y/2XM12FS B PE - 1683413

Classifications

eCl@ss

eCl@ss 4.0	27060300
eCl@ss 4.1	27060300
eCl@ss 5.0	27061800
eCl@ss 5.1	27061800
eCl@ss 6.0	27279200
eCl@ss 7.0	27440104
eCl@ss 8.0	27440104
eCl@ss 9.0	27440106

ETIM

ETIM 2.0	EC000830
ETIM 3.0	EC001856
ETIM 4.0	EC002585
ETIM 5.0	EC002062
ETIM 6.0	EC002925
ETIM 7.0	EC002925

UNSPSC

UNSPSC 6.01	31251501
UNSPSC 7.0901	31251501
UNSPSC 11	31251501
UNSPSC 12.01	31251501
UNSPSC 13.2	31251501

Approvals


Approvals

Approvals

UL Listed / cUL Listed / EAC / EAC / cULus Listed

Ex Approvals

Approval details

UL Listed		http://database.ul.com/cgi-bin/XYVV/template/LISEXT/1FRAME/index.htm	E221474
Nominal voltage UN	30 V		

Y distributor - SAC-3P-M12Y/2XM12FS B PE - 1683413

Approvals

Nominal current IN	4 A
--------------------	-----

cUL Listed		http://database.ul.com/cgi-bin/XYV/template/LISEXT/1FRAME/index.htm	E221474
Nominal voltage UN	30 V		
Nominal current IN	4 A		

EAC		RU C-DE.AI30.B.01102
-----	--	----------------------

EAC		EAC-Zulassung
-----	--	---------------

cULus Listed	
--------------	--

Accessories

Accessories

Plug for cable screw gland

Screw plug - PROT-M12 - 1680539



An M12 screw plug for the unoccupied M12 sockets of the sensor/actuator cable, boxes and flush-type connectors

Screw plug - PROT-M12 MS-PA-CHAIN - 1430899

M12 sealing cap with fixing band, for sensor cables, for free M12 sockets



Protective cap

Y distributor - SAC-3P-M12Y/2XM12FS B PE - 1683413

Accessories

Sealing cap - PROT-M12 FS - 1560251



M12 sealing cap for unoccupied M12 plugs of the sensor/actuator cable, flush-type plugs and I/O devices in the field

Sealing cap - PROT-M12 FS-PA-CHAIN - 1430873

M12 sealing cap made of plastic with fixing band, for sensor cables, for free M12 plugs



Screwdriver tools

Tool - SAC BIT M12-D15 - 1208432



Nut for assembling sensor/actuator cables with M12 connector and M12 connectors for assembly, with a knurl diameter of 15 mm, for 4 mm hexagonal drive

Torque tool

Torque screwdriver - TSD 04 SAC - 1208429



Torque screwdriver, with preset torque of 0.4 Nm and 4 mm hexagonal drive for M12 connectors
