

AZM300Z-I2-ST-1P2P-T



- Series-wiring
- Compact design
- Manual release
- Emergency exit
- Power to unlock
- Diagnostic output
- Connector M12, 8-pole
- Thermoplastic enclosure
- Guard locking monitored
- 3 different directions of actuation
- 3 LEDs to show operating conditions
- Suitable for hinged and sliding guards
- Suitable for mounting to profile systems
- Coding level "High" according to ISO 14119
- Repeated individual coding with RFID technology
- RFID-technology for needs-based protection against tampering

Data

Ordering data

Product type description	AZM300Z-I2-ST-1P2P-T
Article number (order number)	103006863
EAN (European Article Number)	4030661451077
eCI@ss number, Version 9.0	27-27-26-03

Approval - Standards

Certificates	TÜV cULus ECOLAB EAC FCC IC
--------------	--

General data

Product name	AZM 300
Standards	ISO 13849-1 IEC 61508 IEC 60947-5-3 ISO 14119 IEC 62061

general information	Individual coding, multiple teaching
Coding level according to ISO 14119	High
Active principle	RFID
Enclosure material	Plastic, glass-fibre reinforced thermoplastic, self-extinguishing
Gross weight	639.6 g
Time to readiness, maximum	5,000 ms
Duration of risk, maximum	200 ms

General data - Features

Power to unlock	Yes
Guard locking monitored	Yes
Latching	Yes
Emergency exit	Yes
Short circuit detection	Yes
Short-circuit recognition	Yes
Series-wiring	Yes
Safety functions	Yes
Integral System Diagnostics, status	Yes
Number of safety contacts	2

Safety appraisal

Standards	ISO 13849-1 IEC 62061 IEC 61508
-----------	---------------------------------------

Safety appraisal - Interlocking

Performance level, up to	e
Control category	4
PFH-value	5.20×10^{-10} /h
PFD value	4.50×10^{-5}
Safety Integrity Level (SIL), applicable for	3
Mission Time	20 Year(s)

Safety appraisal - Guard locking

Performance level, up to	d
Control category	2
PFH-value	2.00×10^{-9} /h
PFD value	1.80×10^{-4}
Safety Integrity Level (SIL), applicable for	2
Mission Time	20 Year(s)

Mechanical data

Mechanical life, minimum	1,000,000 Operations
Note (Mechanical lifetime)	When using as door hinge: ≥ 50.000 operations (Türmassen ≤ 5 kg and actuating speed ≤ 0.5 m/s)
Switch distance	2 mm
Ensured switch distance "ON" S _{ao}	1 mm
Ensured switch distance "OFF" S _{ar}	20 mm
Clamping force in accordance with ISO14119 F _{zh}	1,150 N
Clamping force, maximum F _{max}	1,500 N
Latching force	50 N
Tightening torque of the fixing screws, minimum	6 Nm
Tightening torque for the fixing screws, maximum	7 Nm

Mechanical data - Connection technique

Terminal Connector	Connector M12, 8-pole, A-coded
--------------------	--------------------------------

Mechanical data - Dimensions

Height of sensor	126 mm
Length of sensor	35 mm
Width of sensor	85 mm

Ambient conditions

Protection class	IP66 to IEC 60529 IP67 to IEC 60529 IP69 to IEC 60529
Ambient temperature, minimum	+0 °C
Ambient temperature, maximum	+60 °C
Storage and transport temperature, minimum	-10 °C
Storage and transport temperature, maximum	+90 °C
Resistance to vibrations to EN 60068-2-6	10 ... 150 Hz, amplitude 0.35 mm
Resistance to shock	30 g / 11 ms
Protection rating	III

Ambient conditions - Insulation value

Rated impulse withstand voltage	0.8 kV
---------------------------------	--------

Overvoltage category	III
Degree of pollution to VDE 0100	3

Electrical data

Operating voltage, minimum	20.4 VDC
Operating voltage, maximum	26.4 VDC
No-load current	100 mA
Required rated short-circuit current to EN 60947-5-1	100 A
Reaction time of actuator, maximum	100 ms
Reaction time of input, maximum	0.5 ms
Switching frequency, maximum	0.5 Hz
Note	Cable length and cable section alter the voltage drop depending on the output current

Electrical data - Solenoid control

Switching thresholds of magnet inputs	-3 V ... 5 V (Low) 15 V ... 30 V (High)
Current consumption of the magnet control at 24V	10 mA
Classification ZVEI CB24I, Sink	C0 C1
Classification ZVEI CB24I, Source	C2 C3

Electrical data - Fail-safe digital inputs

Switching thresholds of fail-safe inputs	-3 V ... 5 V (Low) 15 V ... 30 V (High)
Current consumption of the safety inputs at 24V	5 mA
Classification ZVEI CB24I, Sink	C1 C1
Classification ZVEI CB24I, Source	C2 C3

Electrical data - Fail-safe digital outputs

Rated operating current (safety outputs)	250 mA
Versions	short-circuit proof, p-type
Voltage drop U_d , maximum	4 V
Current leakage	0.5 mA
Voltage, Utilisation category DC12	24 VDC

Current, Utilisation category DC12	0.3 A
Voltage, Utilisation category DC13	24 VDC
Current, Utilisation category DC13	0.3 A
Classification ZVEI CB24I, Source	C2
Classification ZVEI CB24I, Sink	C1 C2

Electrical data - Diagnostic output

Operating current (diagnostic output)	50 mA
Versions	short-circuit proof, p-type
Voltage drop U_d , maximum	4 V
Voltage, Utilisation category DC12	24 VDC
Current, Utilisation category DC12	0.1 A
Voltage, Utilisation category DC13	24 VDC
Current, Utilisation category DC13	0.1 A

Status indication

Note (LED switching conditions display)	Operating condition: LED green Error / functional defect: LED red Supply voltage UB: LED green
---	--

Pin assignment

PIN 1	A1 Supply voltage UB
PIN 2	X1 Safety input 1
PIN 3	A2 GND
PIN 4	Y1 Safety output 1
PIN 5	OUT Diagnostic output
PIN 6	X2 Safety input 2
PIN 7	Y2 Safety output 2
PIN 8	IN Solenoid control

Scope of delivery

Included in delivery	Actuators must be ordered separately.
----------------------	---------------------------------------

Accessory

Recommendation (actuator)	AZ/AZM300-B1
---------------------------	--------------

Notes

Note (General)

For doors that are flush with the door frame, the optional mounting plate MP-AZ/AZM300-1 can be used.

For glass and Makrolon doors, the optional mounting kit MS-AZ/AZM300-B1-1 can be used.

As long as the actuating unit remains inserted in the solenoid interlock, the unlocked safety guard can be relocked. In this case, the safety outputs are re-enabled, so that the safety guard must not be opened.

Ordering code

Product type description:

AZM300(1)(2)-ST(3)-(4)-(5)

(1)

Z Guard locking monitored

B Actuator monitored

(2)

without Standard coding

I1 Individual coding

I2 Individual coding, multiple teaching

(3)

1P2P 1 p-type diagnostic output and 2 p-type safety outputs

SD2P serial diagnostic output and 2 p-type safety outputs

(4)

without Power to unlock

A Power to lock

(5)

without Manual release

T Emergency exit

N Emergency release

Documents

Operating instructions and Declaration of conformity

(1,6 MB, 09/15/2020)

TÜV certification

(1,4 MB, 11/02/2020)

UL Certificate

(413,5 kB, 08/01/2019)

EAC certification

ECOLAB certification

(92,7 kB, 05/10/2019, Revision A)

Brochure

(5,7 MB, 11/07/2019, Revision 09)

(1.003,0 kB, 10/22/2020)

SISTEMA-VDMA library

(129,2 kB, 01/18/2021)

Pictures

Product picture (catalogue individual photo)



ID: kazm3f29

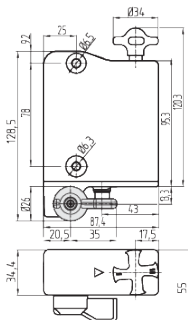
| 38,1 kB | .png | 74.083 x 79.728 mm - 210 x 226

Pixel - 72 dpi

| 578,4 kB | .jpg | 352.425 x 379.942 mm - 999 x 1077

Pixel - 72 dpi

Dimensional drawing basic component



ID: 5azm3g04

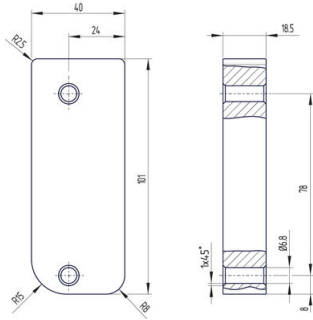
| 17,7 kB | .png | 73.731 x 125.236 mm - 209 x 355

Pixel - 72 dpi

| 253,7 kB | .jpg | 352.778 x 597.606 mm - 1000 x

1694 Pixel - 72 dpi

Dimensional drawing miscellaneous

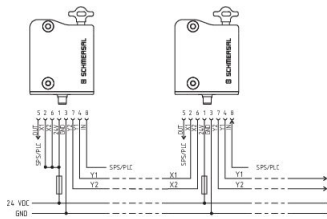


ID: kazm3g01

| 23,7 kB | .cdr |

| 133,3 kB | .jpg | 352.778 x 366.889 mm - 1000 x 1040 Pixel - 72 dpi

Wiring example



ID: kazm3i01

| 37,8 kB | .cdr |

| 111,9 kB | .jpg | 352.778 x 231.422 mm - 1000 x 656 Pixel - 72 dpi

Detail photo



ID: kazm3f30

| 719,9 kB | .jpg | 352.778 x 454.731 mm - 1000 x 1289 Pixel - 72 dpi

System components

AZM 300 Accessories



101210560 A-K8P-M12-S-G-5M-BK-1-X-A-4-69-VA

- Pre-wired cable
- 8-pole
- 5 m



101210561 A-K8P-M12-S-W-5M-BK-1-X-A-4-69-VA

- Pre-wired cable
 - 8-pole
 - 5 m
 - angled
-



103001389 A-K8P-M12-S-G-10M-BK-1-X-A-4-69-VA

- Pre-wired cable
 - 8-pole
 - 10 m
-



103007358 A-K8P-M12-S-G-5M-BK-2-X-A-4-69

- Pre-wired cable
 - 8-pole
 - 5 m
-



103007359 A-K8P-M12-S-G-10M-BK-2-X-A-4-69

- Pre-wired cable
 - 8-pole
 - 10 m
-



103011411 A-K8P-M12-S-G-2,5M-GY-1-X-A-4

- Pre-wired cable
 - 8-pole
 - 2.5 m
-



103011414 A-K8P-M12-S-G-15M-BK-2-X-A-4-69

- Pre-wired cable
 - 8-pole
 - 15
-



103011415 A-K8P-M12-S-G-2,5M-BK-2-X-A-4-69

- Pre-wired cable
- 8-pole
- 2.5 m



103014823 A-K8P-M12-S-G-15M-BK-1-X-A-4-69-VA

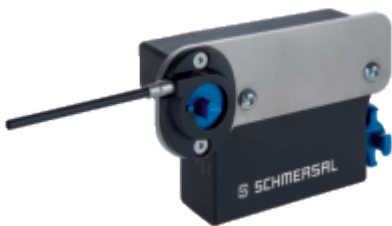
AZM 300 Actuator



101218025 AZ/AZM300-B1

- 3 different directions of actuation

AZM 300 Accessories



103028145 ACC-AZM300-BOW-2-4M-6M

- Remote release via a wire rope
- Can be used as emergency exit or emergency release
- Length of sheathed steel core: 4 m
- total length: 6



103002891 MS-AZ/AZM300-B1-1





103003172 MP-AZ/AZM300-1

K.A. Schmersal GmbH & Co. KG, Möddinghofe 3, D-42279 Wuppertal

The details and data referred to have been carefully checked. Images may diverge from original. Further technical data can be found in the manual. Technical amendments and errors possible.

Generated on 17/02/2021 10:43:59