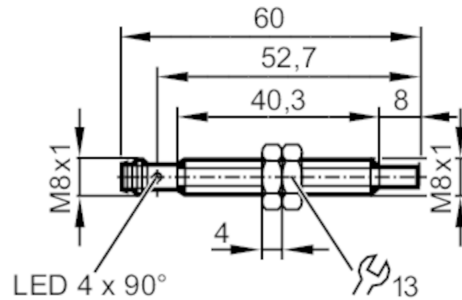


IE5391



Inductive sensor

IEK3004-BPKG/V4A/K1/AS



Product characteristics

| | |
|--------------------|-----------------|
| Electrical design | PNP |
| Output function | normally open |
| Sensing range [mm] | 4 |
| Housing | threaded type |
| Dimensions [mm] | M8 x 1 / L = 60 |

Application

| | |
|-----------------------------------|--|
| Special feature | Gold-plated contacts; Correction factor K = 1; Magnetic-field immune |
| Magnetic-field immune | yes |
| Max. magnetic field immunity [mT] | 300 |

Electrical data

| | |
|-----------------------------|------------|
| Operating voltage [V] | 10...30 DC |
| Current consumption [mA] | < 20 |
| Protection class | III |
| Reverse polarity protection | yes |

Outputs

| | |
|--|---------------|
| Electrical design | PNP |
| Output function | normally open |
| Max. voltage drop switching output DC [V] | 2.5 |
| Permanent current rating of switching output DC [mA] | 100 |
| Switching frequency DC [Hz] | 1000 |
| Short-circuit protection | yes |
| Overload protection | yes |

Detection zone

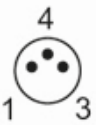
| | |
|----------------------------|----------|
| Sensing range [mm] | 4 |
| Real sensing range Sr [mm] | 4 ± 10 % |
| Operating distance [mm] | 0...3.25 |

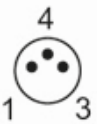
IE5391



Inductive sensor

IEK3004-BPKG/V4A/K1/AS

| Accuracy / deviations | | |
|---|---|---------------------|
| Correction factor | steel: 1 / stainless steel: 1 / brass: 1 / aluminium: 1 / copper: 1 | |
| Hysteresis [% of Sr] | 1...20 | |
| Switch point drift [% of Sr] | -10...10 | |
| Correction factor K = 1 | yes | |
| Operating conditions | | |
| Ambient temperature [°C] | -25...70 | |
| Protection | IP 65; IP 67; (with ifm socket duly screwed on) | |
| Tests / approvals | | |
| EMC | EN 61000-4-2 ESD | 4 kV CD / 8 kV AD |
| | EN 61000-4-3 HF radiated | 10 V/m |
| | EN 61000-4-4 Burst | 2 kV |
| | EN 61000-4-6 HF conducted | 10 V |
| | EN 55011 | class B |
| MTTF [years] | 544 | |
| Mechanical data | | |
| Weight [g] | 19 | |
| Housing | threaded type | |
| Mounting | non-flush mountable | |
| Dimensions [mm] | M8 x 1 / L = 60 | |
| Thread designation | M8 x 1 | |
| Materials | housing: stainless steel (1.4404 / 316L); sensing face: LCP; lock nuts: brass | |
| Displays / operating elements | | |
| Display | switching status | 4 x 90° LED, yellow |
| Accessories | | |
| Accessories (supplied) | lock nuts: 2 | |
| Remarks | | |
| Pack quantity | 1 pcs. | |
| Electrical connection - plug | | |
| Connector: 1 x M8; Locking: snap-fit ; Contacts: gold-plated | | |
|  | | |



IE5391



Inductive sensor

IEK3004-BPKG/V4A/K1/AS

Connection

