



aerospace  
climate control  
electromechanical  
filtration  
fluid & gas handling  
hydraulics  
pneumatics  
process control  
sealing & shielding



## SCPSDi Pressure Switch

The all-purpose electronic pressure switch with many installation options



ENGINEERING YOUR SUCCESS.

# Persuasive Reasons that Speak for Them

The SCPSDi pressure switch:  
Rugged. Pivotal. Versatile. All-purpose.

Customers demand ease of use and the latest measuring technology for their applications - and the new SCPSDi pressure switch from our SensoControl® product line meets these requirements fully. This pressure switch can be installed and positioned as needed, thus ensuring that the display can be read quickly and accurately. It can be used just about anywhere! The compact all-metal housing makes a solid first impression. The sturdy construction of this pressure switch makes it perfect for use under extreme conditions. The housing can be smoothly rotated over the entire 360° to reach the best position for your applications: thanks to our patented Parker coupling. Configuring the switch is particularly simple because of the VDMA-compliant interface. Perfect for the long-term use in production: This switch is a crown jewel of measuring engineering!

## Hardware

- 360° external thread
- Patented coupling
- 180° adjustable display
- Compact metal housing
- Compact installation dimensions
- Rugged and waterproof

## Software

- Pressure display
- VDMA menu
- I/O link
- ECO mode
- Two programmable switching outputs
- Optional analogue output signal

## Handling and ergonomics

- Simple to install and operate
- Top-side or panel mounted
- Can be rotated after the installation
- Locks into position when under pressure
- LOCK and button-lock function
- Raised buttons are simple to operate
- LED display is clearly arranged and illuminated





# selves

Horizontal and vertical versions are available with a display that can be rotated 180° using menu commands. This permits a total of four different display positions. The external threading can be rotated continually and independently from the housing – so you can adjust it to best suit your operations and cable positions. For the inner threading, all components that come into contact with the pressurized media are made from stainless steel. The innovative design of the SCPSDi opens up new possibilities for installation, connection and usage. The many features integrated into this design make this switch a small all-purpose wonder capable of fitting efficiently and affordably into your everyday operations.



The slim shape and the 360° rotary mechanism make the switch simple to install and use. Each switching output can be adjusted individually. The parameters are defined according to VDMA or automatically via the I/O link. Various switch models are available for pressure ranges up to 600 bar, with multiple internal and external threads, and with or without an analogue output.

This is what makes the SCPSDi so attractive for long-term usage in industrial applications. Target applications include the construction of machines and hydraulic systems, presses, tooling machines, hydraulics, pneumatics, pumps and compressors.

# All in one and one for all

The SCPSDi pressure switch is impressively versatile!

## Design

- Ergonomic
- Minimal surface area that can become dirty
- Compact size
- Plug in the front
- Compact installation dimensions
- Sloped display

## Housing

- All-metal case
- Does not wear out
- Not sensitive to external environment
- Waterproof
- Rugged
- Accessible

## Measuring component

- Hermetically sealed and welded stainless steel diaphragm
- Zero-point stability
- Long-term stability
- No wear and tear
- Excellent pressure resistance
- Up to a nominal pressure of 600 bar

## Innovative design external threads

The externally threaded pressure port can be rotated continually and independently from the housing (more than 360°). So you can install the pressure connection without turning the housing.

The housing can be rotated when not under pressure – to best fit the position of your cables.

The unit locks itself into position when under pressure.

Self-contained housing

No force is exerted on the measuring component during installation

Steel CF

BSPP/UNF/NPT

NBR seal

No adapter needed



This outstanding switch offers many versatile installation options and an optimal pressure management system. It is an easy-to-use switch with a high-quality build that delivers superb reliability.

The SCPSDi pressure switch reinforces Parker's reputation as a top-class global systems provider. The SCPSDi is already being used effectively in several applications.

### 45° display

- Active-lit LED display
- Pressure is displayed
- Units are displayed
- Bar/psi/MPa
- Switch status is shown
- 180° rotation when mounted top-side
- ECO mode\*

180° rotation when mounted top-side

ECO mode\*

### Adjustments and settings

- VDMA menu navigation
- Two raised buttons
- LOCK function\*\*

### M12x1

- Threaded metal connection
- Plug cannot be over-rotated or broken off
- VDMA-compliant assignment of pins
- I/O link
- DESINA
- 2 switching outputs
- Switchable analogue output
- 0 – 20mA
- 4 – 20mA
- 0 – 10V
- Excellent interference immunity

### Inner thread

- All components that come into contact with the pressurized media are made from stainless steel
- No internal sealing components
- Wide range of compatible media substances
- Resistant against corrosive and aggressive substances

\* ECO mode (activated via menu): pressure switch is run with minimum power in this mode (dimmed display)

\*\*LOCK function / button lock: Prevents accidental changing of the switch parameters

### Installation options



Orientation	Vertical	Vertical 180°
Order code	SCPSDi-xxx-xx-x7	SCPSDi-xxx-xx-x7
Programming	-	180 ° reverse view



Orientation	Horizontal	Horizontal 180°
Order code	SCPSDi-xxx-xx-x7-H	SCPSDi-xxx-xx-x7-H
Programming	-	180 ° reverse view

SCPSDi-	010	016	025	060	100	250	400	600
<b>Pressure range</b> P <sub>n</sub> , relative (bar)	-1 – 10	-1 – 16	-1 – 25	0 – 60	0 – 100	0 – 250	0 – 400	0 – 600
<b>Overload pressure</b> (2 x P <sub>n</sub> ) P <sub>max</sub> , relative (bar)	20	32	50	120	200	500	800	1200
<b>Bursting pressure</b> (3 x P <sub>n</sub> ) P <sub>burst</sub> , relative (bar)	30	48	75	180	300	750	1200	1800
<b>Display resolution</b> <b>Increment size</b> (bar)	0.01	0.01	0.01	0.1	0.1	1	1	1
<b>Highest switching point (SP)</b> (bar)	10	16	25	60	100	250	400	600
<b>Lowest reset switch point RSP</b> (bar)	-1	-1	-1	0	0	0	0	0
<b>Smallest difference for setting between SP and RSP</b> (SP-RSP) (bar)	0.01	0.01	0.01	0.1	0.1	1	1	1

**Information about selecting the pressure range:**  
The following parameters are relevant when working with pressure switches:

- The system pressure
- The pressure to be used as the switching point

Since a 400-bar pressure switch has a comparable resolution (of 1 bar) as that of a 600-bar pressure switch (also 1 bar), it is possible to use a 600-bar pressure switch even when there is a smaller nominal pressure (for example, 315 bar).

The advantages for you:

- Same resolution with more security
- Higher overload and bursting pressures
- Less product variants needed

Input values	
Switching cycles	≥ 100 million
Polling rate	≤ 10 ms
Fluid connections Inner/outer thread	G1/4 BSPP, 7/16 UNF, NPT
Tightening torque	35 Nm
Parts in contact with the pressurized media	Inner thread Stainless steel 1.4548.4; 1.4301 Outer thread 1.4548.4; steel CF; NBR
Temperature range of media substance	-20 to +105°C

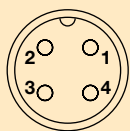
Output values	
Accuracy*	+/- 0.5% FS typ.; +/- 1% FS max.
Temperature drift	+/- 0.03 % FS/K
Long-term stability	+/- 0.2 % FS/a
Repeat accuracy	+/- 0.25 % FS
Switching point accuracy	+/- 0.5 % FS typ.; +/- 1% FS max.
Display accuracy	+/- 0.5 % FS +/- 1 digit typ. +/- 1 % FS +/- 1 digit max.
Max. displayed value	110 % P <sub>n</sub>
Analogue output	+/- 0.5% FS typ.; +/- 1% FS max.

\*Including non-linearity, hysteresis, zero-point and full-scale deviations (corresponds to measurement deviation according to IEC 61298-2)

Response speed	
Switching output	≤ 10 ms
Analogue output	≤ 10 ms

Electrical connection	
Supply voltage	Nominal 24 VDC; 12 – 30 VDC
Electrical connection	M12x1; 4-pole according to DIN EN 61076-2-101
Short-circuit protection	Yes
Protection against wrong insertion	Yes
Overload protection	Yes
Current consumption	< 50 mA; in ECO mode < 40 mA
Switch-on current	< 100 mA

Contact	Function
Pin 1	Supply voltage
Pin 2	Switching output 2 / analogue output
Pin 3	GND
Pin 4	Switching output 1 / I/O link



Outputs	
Switching output 1	High-side/low-side switch (PNP/NPN) Optional
	Switching current: max. 200 mA Short-circuit current: 400 mA (momentary) Short-circuit resistance
	Switching voltage: Supply voltage – 1.5 VDC
Switching output 2	High-side/low-side switch (PNP/NPN) Optional
	Switching current: max. 500 mA Short-circuit current: 800 mA (momentary) Short-circuit resistance
	Switching voltage: Supply voltage – 1.5 VDC
I/O link	Specification V1.0 PNO Order No. 2.802
Analogue output	4 – 20mA, 0 – 20mA, 0 – 10V

Housing	
Rotating	> 360°
Display readability	Programmable 180° rotating view
Display	4-digit 7-segment LED with additional symbols for displaying units and switching status; Height of digits: ~6 mm, Height of units: ~2 mm
Material	Die-cast nickel-plated zinc
Degree of protection	IP67
Weight	148 grams

Ambient conditions	
Ambient temperature range	-25 to +85°C
Storage temperature range	-40 to +85°C
Vibration resistance	20 g; 10 – 500 Hz; IEC60068-2-6
Shock resistance	50 g; 11ms; IEC60068-2-29

EM compatibility	
Disturbance emissions	EN 61000-6-3
Resistance to interference	EN 61000-6-2

General	
MTTfd	> 100 years
Performance level	B
Category	1
RoHS compliant	Yes

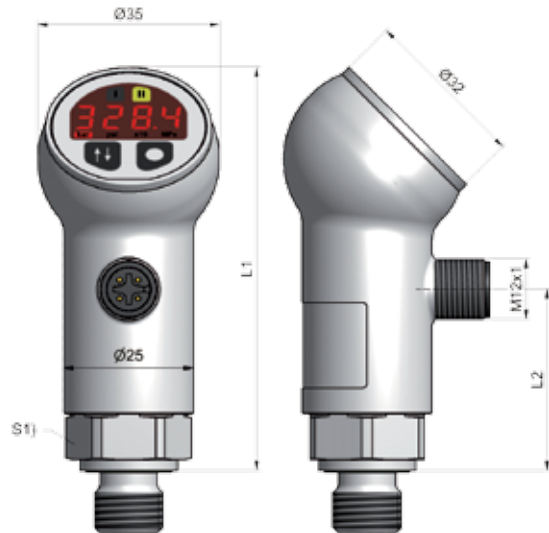


# Take advantage of our all-rounder!

Choose the SCPSDi pressure switch that is right for you: select one of the available configurations.

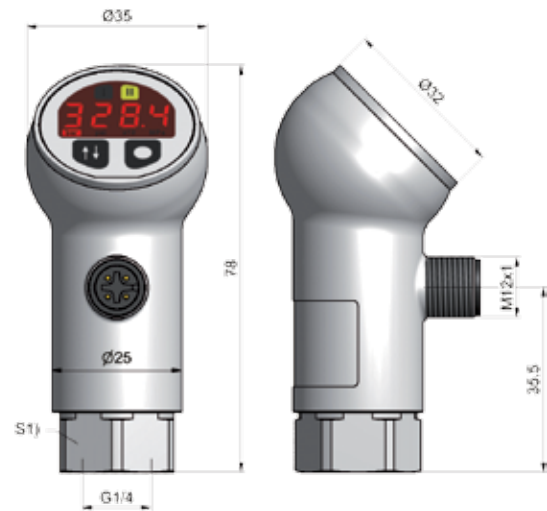
SCPSDi-xxx-xx-17

All specifications in mm



S1) SW22

SCPSDi-xxx-xx-27

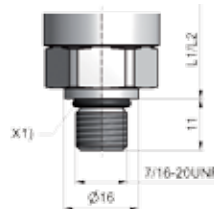


1/4NPT



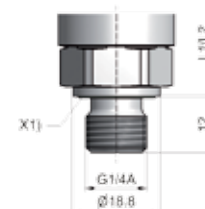
L1) 75.5  
L2) 33

7/16UNF



L1) 78  
L2) 35.5  
X1) OR 8.92x1.83

G1/4ED



L1) 77.5  
L2) 35  
X1) FD seal

SCPSDi-xxx-xx-x7-H



Horizontal version  
Display mounted at 90°  
rotation when delivered

## Order code

SCPSDi- **xxx** - **x** **4** - **x** **7** - **x**

### Pressure range, in bar

010 / 016 / 025 / 060  
100 / 250 / 400 / 600

### Outputs

2 switching outputs without analogue output → 0  
1 switching output + switchable analogue output (0/4 – 20 mA / 0 – 10 V) → 1

### Connection to process

G 1/4 → 4

### Thread type

Outer thread → 1  
Inner thread → 2

### Plug

M12x1 4-pin → 7

### Display orientation

Mounted at 90° rotation when delivered → H

# Parker Worldwide

## Europe, Middle East, Africa

**AE – United Arab Emirates,**  
Dubai

Tel: +971 4 8127100  
parker.me@parker.com

**AT – Austria,** Wiener Neustadt

Tel: +43 (0)2622 23501-0  
parker.austria@parker.com

**AT – Eastern Europe,** Wiener  
Neustadt

Tel: +43 (0)2622 23501 900  
parker.easteurope@parker.com

**AZ – Azerbaijan,** Baku

Tel: +994 50 2233 458  
parker.azerbaijan@parker.com

**BE/LU – Belgium,** Nivelles

Tel: +32 (0)67 280 900  
parker.belgium@parker.com

**BY – Belarus,** Minsk

Tel: +375 17 209 9399  
parker.belarus@parker.com

**CH – Switzerland,** Etoy

Tel: +41 (0)21 821 87 00  
parker.switzerland@parker.com

**CZ – Czech Republic,** Klecany

Tel: +420 284 083 111  
parker.czechrepublic@parker.com

**DE – Germany,** Kaarst

Tel: +49 (0)2131 4016 0  
parker.germany@parker.com

**DK – Denmark,** Ballerup

Tel: +45 43 56 04 00  
parker.denmark@parker.com

**ES – Spain,** Madrid

Tel: +34 902 330 001  
parker.spain@parker.com

**FI – Finland,** Vantaa

Tel: +358 (0)20 753 2500  
parker.finland@parker.com

**FR – France,** Contamine s/Arve

Tel: +33 (0)4 50 25 80 25  
parker.france@parker.com

**GR – Greece,** Athens

Tel: +30 210 933 6450  
parker.greece@parker.com

**HU – Hungary,** Budapest

Tel: +36 1 220 4155  
parker.hungary@parker.com

**IE – Ireland,** Dublin

Tel: +353 (0)1 466 6370  
parker.ireland@parker.com

**IT – Italy,** Corsico (MI)

Tel: +39 02 45 19 21  
parker.italy@parker.com

**KZ – Kazakhstan,** Almaty

Tel: +7 7272 505 800  
parker.easteurope@parker.com

**NL – The Netherlands,** Oldenzaal

Tel: +31 (0)541 585 000  
parker.nl@parker.com

**NO – Norway,** Asker

Tel: +47 66 75 34 00  
parker.norway@parker.com

**PL – Poland,** Warsaw

Tel: +48 (0)22 573 24 00  
parker.poland@parker.com

**PT – Portugal,** Leca da Palmeira

Tel: +351 22 999 7360  
parker.portugal@parker.com

**RO – Romania,** Bucharest

Tel: +40 21 252 1382  
parker.romania@parker.com

**RU – Russia,** Moscow

Tel: +7 495 645-2156  
parker.russia@parker.com

**SE – Sweden,** Spånga

Tel: +46 (0)8 59 79 50 00  
parker.sweden@parker.com

**SK – Slovakia,** Banská Bystrica

Tel: +421 484 162 252  
parker.slovakia@parker.com

**SL – Slovenia,** Novo Mesto

Tel: +386 7 337 6650  
parker.slovenia@parker.com

**TR – Turkey,** Istanbul

Tel: +90 216 4997081  
parker.turkey@parker.com

**UA – Ukraine,** Kiev

Tel: +380 44 494 2731  
parker.ukraine@parker.com

**UK – United Kingdom,** Warwick

Tel: +44 (0)1926 317 878  
parker.uk@parker.com

**ZA – South Africa,** Kempton Park

Tel: +27 (0)11 961 0700  
parker.southafrica@parker.com

## North America

**CA – Canada,** Milton, Ontario

Tel: +1 905 693 3000

**US – USA,** Cleveland

Tel: +1 216 896 3000

## Asia Pacific

**AU – Australia,** Castle Hill

Tel: +61 (0)2-9634 7777

**CN – China,** Shanghai

Tel: +86 21 2899 5000

**HK – Hong Kong**

Tel: +852 2428 8008

**IN – India,** Mumbai

Tel: +91 22 6513 7081-85

**JP – Japan,** Tokyo

Tel: +81 (0)3 6408 3901

**KR – South Korea,** Seoul

Tel: +82 2 559 0400

**MY – Malaysia,** Shah Alam

Tel: +60 3 7849 0800

**NZ – New Zealand,** Mt Wellington

Tel: +64 9 574 1744

**SG – Singapore**

Tel: +65 6887 6300

**TH – Thailand,** Bangkok

Tel: +662 186 7000-99

**TW – Taiwan,** Taipei

Tel: +886 2 2298 8987

## South America

**AR – Argentina,** Buenos Aires

Tel: +54 3327 44 4129

**BR – Brazil,** Sao Jose dos Campos

Tel: +55 800 727 5374

**CL – Chile,** Santiago

Tel: +56 2 623 1216

**MX – Mexico,** Apodaca

Tel: +52 81 8156 6000

### EMEA Product Information Centre

Free phone: 00 800 27 27 5374

(from AT, BE, CH, CZ, DE, DK, EE, ES, FI, FR, IE, IL,  
IS, IT, LU, MT, NL, NO, PL, PT, RU, SE, SK, UK, ZA)

### US Product Information Centre

Toll-free number: 1-800-27 27 537

www.parker.com

