



Belt-alignment switch

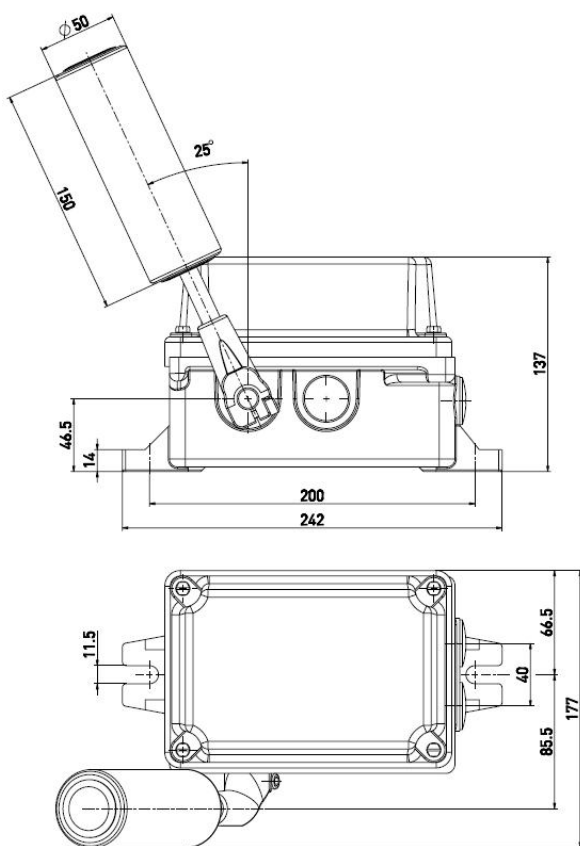
ZS 90 SR 2Ö -40°C +85°C Extreme

Material-number: 1189696 (Material number (old): 76531001)

Features/Options

- Temperature resistant from -40 °C to +85 °C
- Thermoset enclosure
- 2 contacts
- Maximum lever movement on both sides 75°
- Belt-alignment lever continuously adjustable
- Without mechanical latching

Dimensions



Technical Data

Standards	EN 60947-5-1
Enclosure	glass-fibre reinforced, shock-proof thermoset material
Cover	glass-fibre reinforced, shock-proof thermoset material
Degree of protection	IP 67 to IEC/EN 60529
Contact material	silver
Switching elements	2 NC contacts, type Zb
Switching system	snap action, positive break NC contacts ↻
Connection	screw connection terminals
Cable cross-section	max. 2.5 mm ² (incl. conductor ferrules)
Cable entry	2 x M25 x 1.5
U _{imp}	4 kV
U _i	400 V
I _{the}	10 A
Utilisation category	AC-15
I _e / U _e	1 A / 230 VAC
Max. fuse rating	1 A gG/gN fuse
Ambient temperature	- 40° C ... + 85° C
Mechanical life	> 500 000 operations
Approvals	EAC
Weight	2524 g

Errors and omissions excepted.