
NM02WOK-MC2069 (ORDER NO. 095374)

Safety switch NM.WO with rounded plunger, short housing

- ▶ Cable entry M16 x 1.5

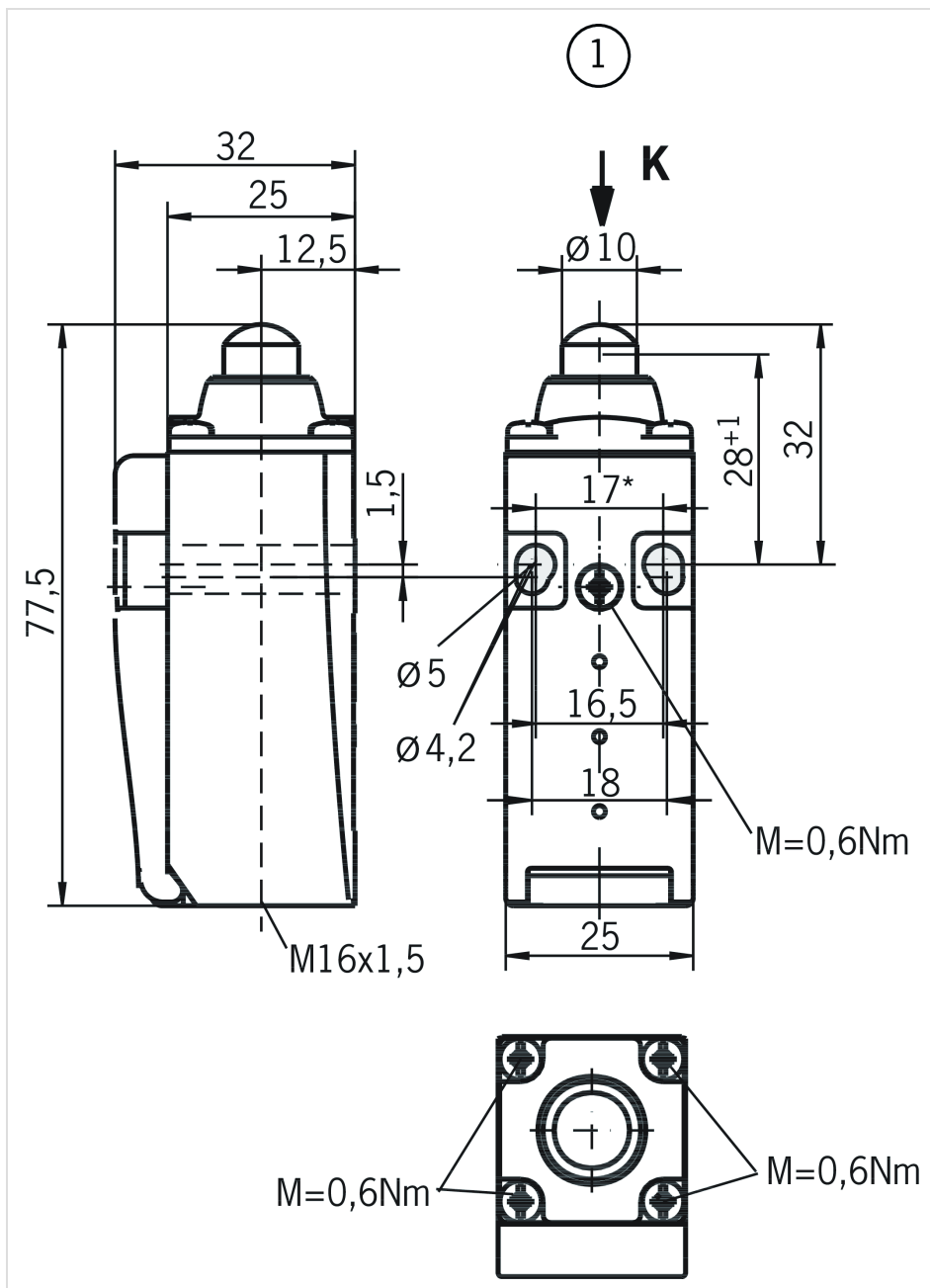


Description

Switching element

ES02 Slow-action contact 2 Ö →

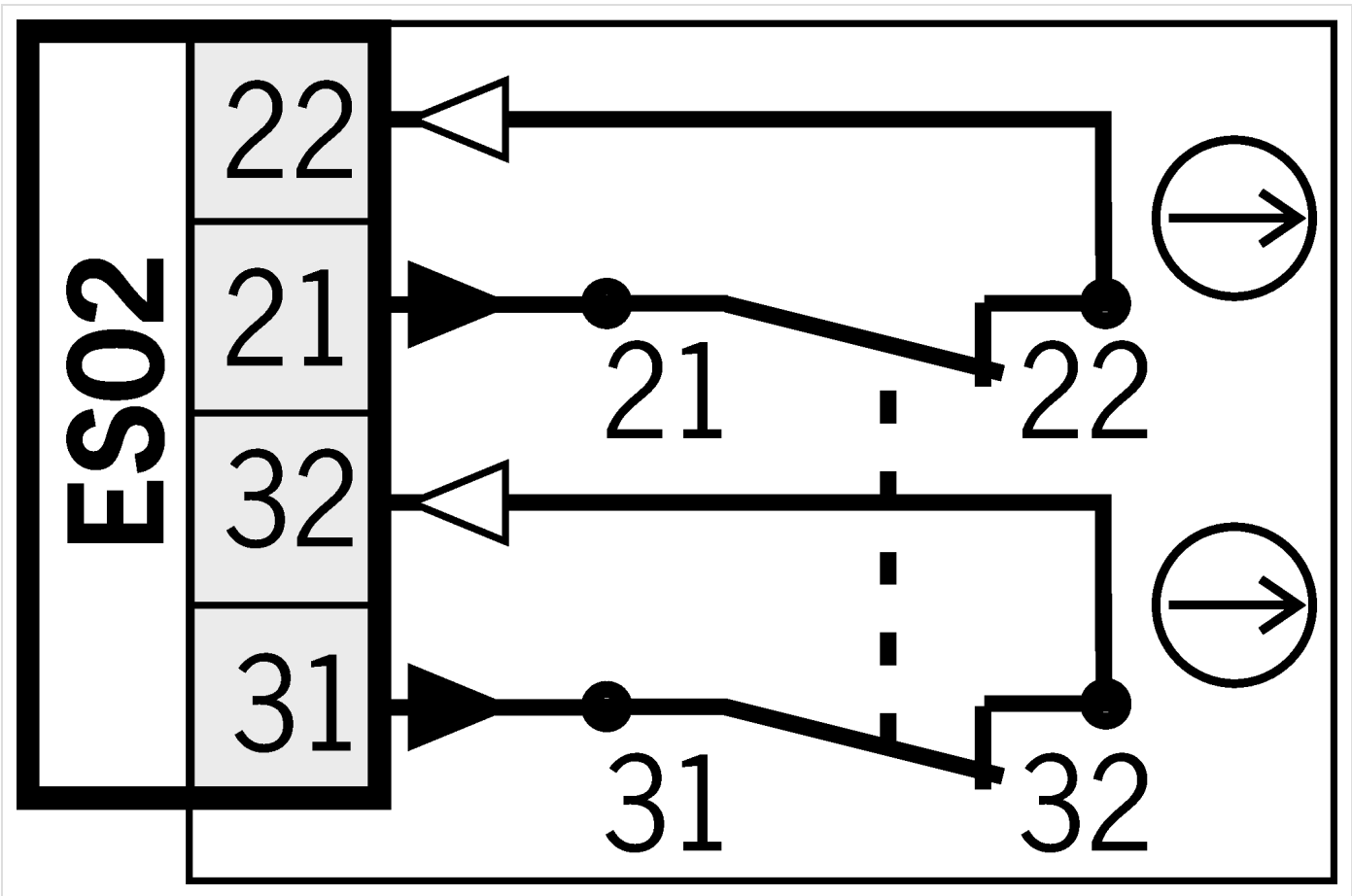
Dimensional drawings



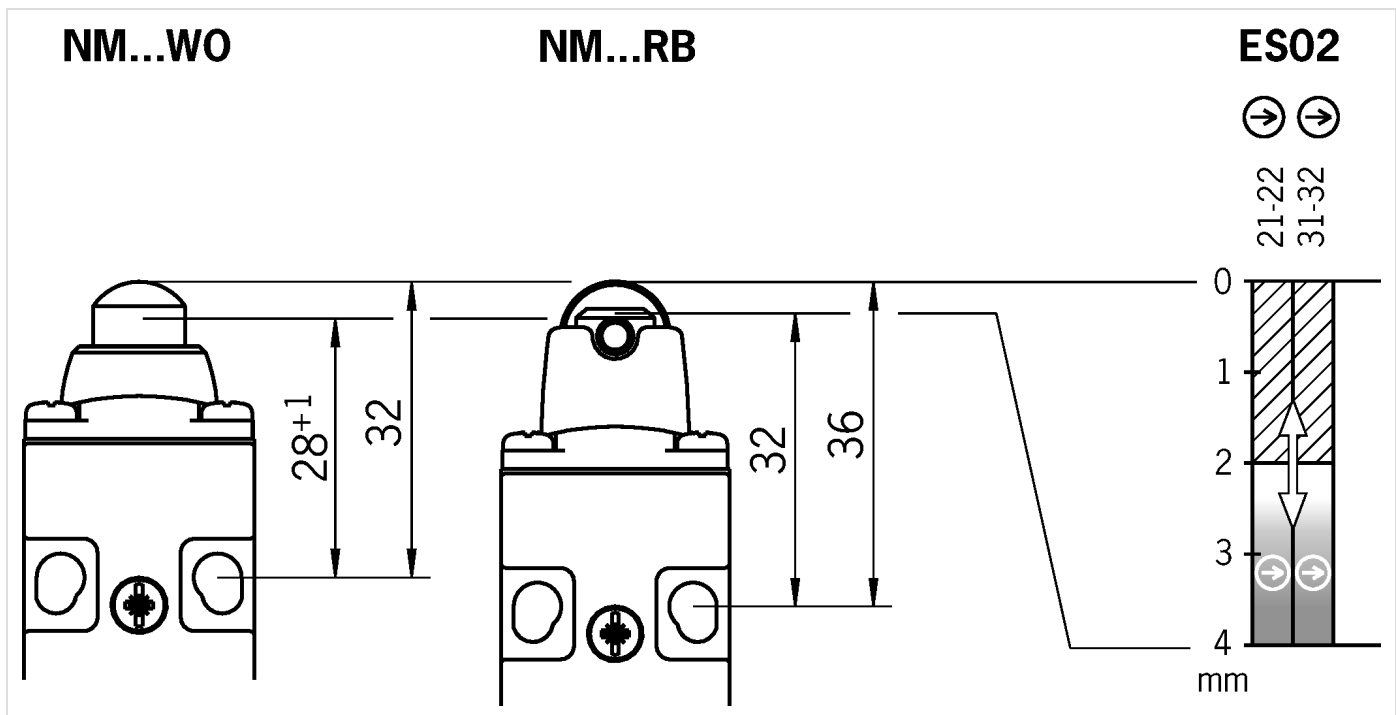
* fixed positioning for safety-related applications (M5)

1 Approach direction

Connection examples



Shift travel diagrams



Technical data

Approvals



Electrical connection values

Connection cross section	0.34 ... 1.5 mm ²
Rated insulation voltage U _i	250 V
Rated impulse withstand voltage U _{imp}	2.5 kV
Utilization category	
	AC-15 4A 230V
	DC-13 4A 24V
Short circuit protection according to IEC 60269-1	4A gG
Switching voltage	
	min. at 10 mA 12 V
Switching current	
	min. at 24 V 1 mA
thermal rated current I _{th}	4 A

Mechanical values and environment

Approach speed	max. 60 m/min
Approach direction	top
Connection type	
	1 x M16 x 1.5
Number of door position positively driven contacts	2
Design	short housing
Actuating element	Rounded plunger
Actuation frequency	max. 5000 1/h
Actuating force	15 N
Installation orientation	any
Mechanical life	30 x 10 ⁶
Switching principle	Slow-action switching contact
Degree of protection	IP67
Ambient temperature	-20 ... +80 °C
Material	
	Housing Reinforced thermoplastic
	Contact Silver alloy, gold flashed

Characteristic values according to EN ISO 13849-1 and EN IEC 62061

	Monitoring of the guard position
B _{10D}	20 x 10 ⁶

Miscellaneous

C number	
	C2069

Accessories

Connection accessories

Cable glands M16x1.5



084572
EKPM16/05

Mounting accessories

Mounting plates EMP-SC for safety switches NM, NP...AS and NZ



085753
EMP-SC

- ▶ For vertical and horizontal mounting of safety switches NM, NP...AS and NZ

Contacts

🏠 EUCHNER GmbH + Co. KG
Kohlhammerstraße 16
70771 Leinfelden-Echterdingen

☎ +49 711 7597-0

📠 +49 711 753316

✉ info(at)euchner.de