

Hour meters / timers, electromechanical

Dual function counters

Pulse + time / 2 x time (AC+DC)

HC 77



The counter combinations HC 77 and HC 77.55 comprise an hour meter and a totalizer. They can be controlled both simultaneously and separately.

These panel mount counters have a reduced mounting depth. They can be used in many different fields of application.

Optionally with 2 hour meters on request.

Characteristics

- Hour meter and totalizer in one single device.
- Without reset.
- High shock resistance.
- Magnified large figures.
- Protection IP52 front side (optional IP65).
- Data retention in case of power failure.
- UL-approved.

Benefits

- Long service life.
- Optional: counters controlled separately.

Applications

General time measurement, maintenance intervals for measuring instruments (respiration units, oxygen, dialysis), small appliances, UV lamps, display panels in vehicles, lifts, heating burners.

Type series

Description	Type	Options
Dual function counter 48 x 48 mm [1.89 x 1.89"]	HC 77	<ul style="list-style-type: none"> - Color of housing grey Art. no. 3.55X.40X.XXX - Flat pin 0.8 x 6.3 mm [0.031 x 0.25"] Art.-No.: 3.55X.40X.XXX.011
With adapter front bezel 55 x 55 mm [2.17 x 2.17"]	HC 77.55	<ul style="list-style-type: none"> - Separate connections for running time meter and adding counter. This model is available for AC or DC (not mixed) - Adding counter max. 10 Hz - Electrical connection: 2 x cable 2 x 0.5 mm² [AWG20], NYFAZ, 0.5 m [1.64'] (hour meter cable red/black, adding counter grey cable) Art. no. 3.55X.40X.XXX.060 - Sealed window (IP65 front side) with: <ul style="list-style-type: none"> - Screw terminal Art. no. 3.55X.40X.XXX.419 - Flat pin 0.8 x 6.3 mm [0.031 x 0.25"] Art. no. 3.55X.40X.XXX.062 - Separated connections (cable) Art. no. 3.55X.40X.XXX.061 - Counter combination with 2 hour meters 10 ... 30 V DC <ul style="list-style-type: none"> - 2 x cable 2 x 0.5 mm² [AWG20] Art. no. 3.554.401.351.060 - Spring-type terminal on request

Order information:

Art. no. (for special voltages etc. indicate exact model, voltage and frequency e.g. HC 77, 120 V AC, 60 Hz)

Accessories

Accessories	Dimensions in mm [inch]	Order no.
Adapter front bezel, 55 x 55 [2.17 x 2.17"]	for cut-out 50 x 50 [1.97 x 1.97] to cut-out ø 50.5 [1.99], with clip mounting for counters 48 x 48 [1.89 x 1.89]	black T008171
Adapter front bezel, 60 x 75 [2.36 x 2.95"]	for cut-out 50 x 50 [1.97 x 1.97] to cut-out 45 x 45 [1.7 x 1.77], with screw mounting for counters 48 x 48 [1.89 x 1.89]	black T008860
Adapter front bezel, 72 x 72 [2.83 x 2.83"]	for cut-out 68 x 68 [2.68 x 2.68] to cut-out 45 x 45 [1.7 x 1.77], (Mating clip T009420 must be ordered separately)	black T008177
Adapter front bezel, ø 72 [2.83"]	for cut-out ø 60 [2.36] to 45 x 45 [1.77 x 1.77], with clip mounting for counters 48 x 48 [1.89 x 1.89]	black N510226

Suitable gaskets as well as further accessories can be found in the accessories section or in the accessories area of our website at: www.kuebler.com/accessories.

Hour meters / timers, electromechanical

Dual function counters	Pulse + time / 2 x time (AC+DC)	HC 77
-------------------------------	--	--------------

Technical data

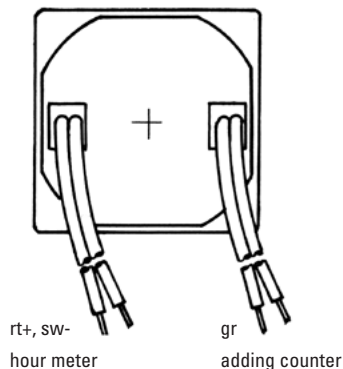
General technical data	
Operating indicator of the running time meter	AC fast rotating wheel with red dashes: 99999.99 h DC 1/100 h display turns continuously by 1 digit in 36 s: 999999.99 h
Height of figures	4 x 1.7 mm [0.16 x 0.067"] optical
Color of figures	hour meter hour: white on black decimal: red on black pulse counter white on black
Operating temperature	-15°C ... +50°C [+5°F ... +122°F] (non-condensing)
Mounting position	any

Mechanical characteristics	
Protection	IP52 (front side) when built in
Color of housing	black (standard)
Weight	HC 77 65 g [2.29 oz] plug in frame 55 8 g [0.28 oz] plug in frame 72 13 g [0.46 oz]

Electrical characteristics	
Electrical connection	screw terminal (tightening torque max. 0.8 Nm)
Power consumption	10 ... 30 V DC approx. 1 W 36 ... 80 V DC approx. 1.65 W 100 ... 130 V DC approx. 1.75 W 20 ... 30 V AC, 50 Hz approx. 0.53 VA 42 ... 48 V AC, 50 Hz approx. 0.53 VA 100 ... 130 V AC, 50 Hz approx. 1.43 VA 187 ... 264 V AC, 50 Hz approx. 3.0 VA
Rated voltages	AC (50 or 60 Hz) 20 ... 30/42 ... 48/100 ... 130/187 ... 264 V DC 10 ... 30/36 ... 80/100 ... 130 V
On time	100 %
Count mode	adding
Accuracy	AC supply frequency + 30 ms DC < 0.003 % (at 24 h)
Reset	no reset
EMC standards	EN 55011 class B EN 61000-6-2, EN 61000-6-3
Device safety	designed to protection class 2 application area pollution level 2
UL approval	file E128604

Terminal assignment

Counter with separate connections (rear view)



Hour meters / timers, electromechanical

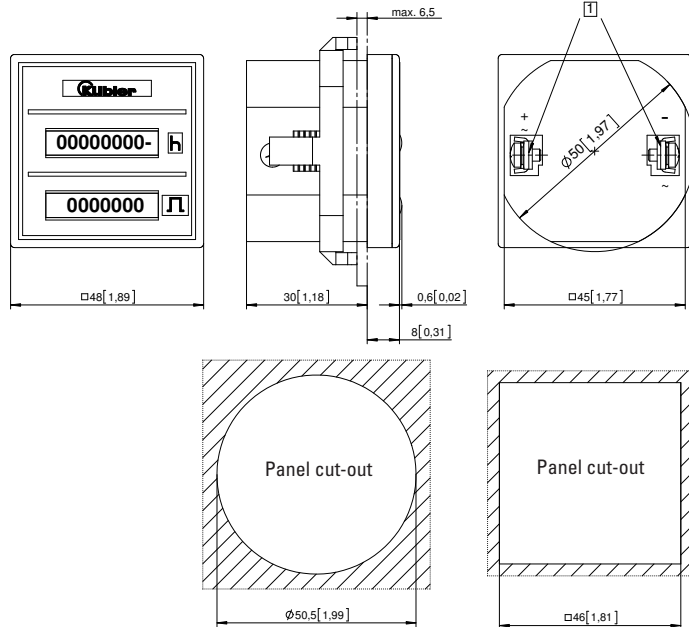
Dual function counters

Pulse + time / 2 x time (AC+DC)

HC 77

Dual function counter 48 x 48 [1.89 x 1.89"]

Type HC 77

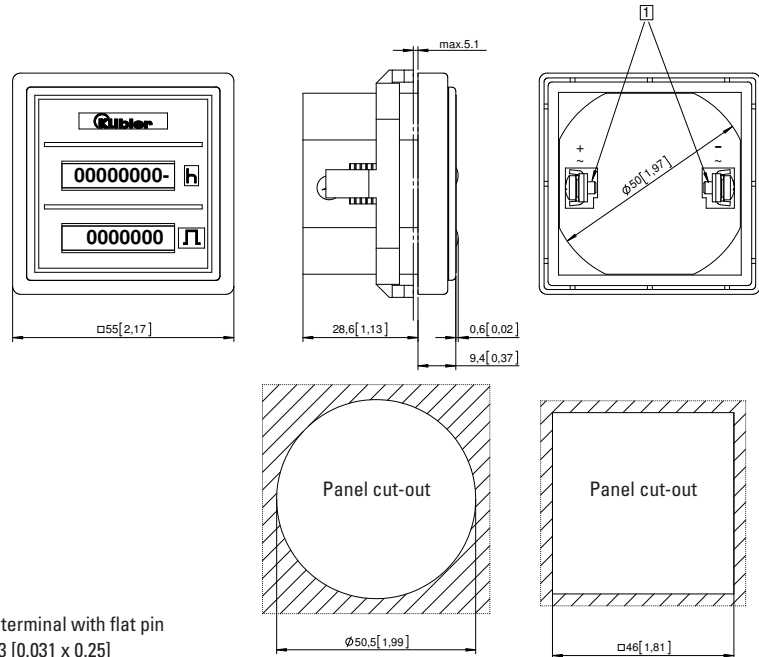


1) Screw terminal with flat pin
0.8 x 6.3 [0.031 x 0.25]

Type	Display	Voltage	Art. no.					
			10 ... 30 V	20 ... 30 V	36 ... 80 V	42 ... 48 V	100 ... 130 V	187 ... 264 V
HC 77	7/8 digits	AC (50 Hz)		3.550.401.071		3.550.401.072	3.550.401.074 ¹⁾	3.550.401.075 ¹⁾
	7/8 digits	AC (60 Hz)		3.550.401.081		3.550.401.082	3.550.401.084	3.550.401.085
	7/8 digits	DC	3.550.401.351 ¹⁾		3.550.401.353		3.550.401.381	
Color of housing grey:			Art. no.		3.550.400.XXX			

Dual function counter 48 x 48 [1.89 x 1.89"] with adapter front bezel 55 x 55 [2.17 x 2.17"]

Type HC 77.55



1) Screw terminal with flat pin
0.8 x 6.3 [0.031 x 0.25]

Type	Display	Voltage	Art. no.					
			10 ... 30 V	20 ... 30 V	36 ... 80 V	42 ... 48 V	100 ... 130 V	187 ... 264 V
HC 77.55	7-/8 digits	AC (50 Hz)		3.551.401.071		3.551.401.072	3.551.401.074	3.551.401.075
	7/8 digits	AC (60 Hz)		3.551.401.081		3.551.401.082	3.551.401.084	3.551.401.085
	7/8 digits	DC	3.551.401.351		on request		3.551.401.381	
Color of housing grey:			Art. no.		3.551.400.XXX			