

Series 10-SQ1000 5 port solenoid valve Plug-in unit

How to Order Manifold

10-SS5Q13-08 FD2-D - - -

● Clean series

● Stations

01	1 station
⋮	⋮
24 <small>Note)</small>	24 stations

Note) The maximum number of stations depends on the type of electrical entries.

● CE-compliant

Nil	—
Q	CE-compliant

● 1(P), 3(R) port size

Nil	1(P), 3(R) port One-touch fittings for ø8
00T	1(P), 3(R) port One-touch fittings for ø5/16"

● Option

Nil	None
02 to 24 <small>Note 1)</small>	DIN rail length specified
B <small>Note 2)</small>	Back pressure check valve
K <small>Note 3)</small>	Special wiring specifications (Except double wiring)
N	With name plate (Side ported only)

● Manifold mounting

D	DIN rail mounting style
E	Direct mounting style

Note 1) Specify DIN rail length with "D□" at the end. (Enter the number of stations inside□.) The number of stations that may be displayed is longer than the manifold number of stations. Example: -D09

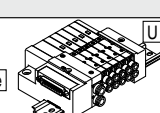
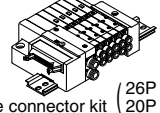
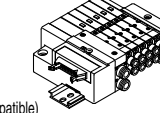
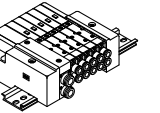
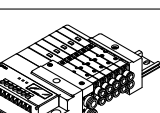
Note 2) When "B" is selected, a back pressure check valve is included in all stations of the manifold. If the back pressure check valve is used only for the station that need it, then specify the station location in the manifold specification. ("B" is not necessary)

Note 3) Specify "K" for wiring specification for cases below. (Except L kit)

- All single wiring
- Single and double mixed wiring.
- When there are stations which do not require wiring (e.g. single SUP spacer), specify the wiring specification in the manifold specification so that the number of solenoids is the maximum number of solenoids or less. (Standard wiring specification is double wiring)

Note 4) For specifying two or more options, enter them alphabetically. Example: -BKN

● Electrical entry

Kit type	Lead wire connector location	Cable/SI unit specifications	Station (Double wiring)	Max. number of solenoids for special wiring specifications <small>Note 2)</small>	CE-compliant				
F kit  D-sub connector kit	FD0 FD1 FD2 FD3 D side	D-sub connector (25P) kit, without cable	1 to 12 stations	24	●				
		D-sub connector (25P) kit, with 1.5 m cable							
		D-sub connector (25P) kit, with 3.0 m cable							
		D-sub connector (25P) kit, with 5.0 m cable							
P kit  Flat ribbon cable connector kit (26P/20P)	PD0 PD1 PD2 PD3 PDC Note 1) D side	Flat ribbon cable (26P) kit, without cable	1 to 12 stations	24	●				
		Flat ribbon cable (26P) kit, with 1.5 m cable							
		Flat ribbon cable (26P) kit, with 3.0 m cable							
		Flat ribbon cable (26P) kit, with 5.0 m cable							
		Flat ribbon cable (20P) kit, without cable							
J kit  Flat ribbon cable (20P) (PC wiring system compatible)	JD0 D side	Flat ribbon cable (20P) PC wiring system compatible	1 to 8 stations	16	●				
L kit <small>Note 3)</small>  Lead wire kit	LD0 (N) LU0 (N) D side U side	Lead wire kit with 0.6 m cable	1 to 12 stations	—	●				
	LD1 (N) LU1 (N) D side U side	Lead wire kit with 1.5 m cable							
	LD2 (N) LU2 (N) D side U side	Lead wire kit with 3.0 m cable							
	S kit  Serial transmission kit EX140 Integrated-type (For Output) Serial Transmission System	SDF SDH SDJ1 SDJ2 SDQ SDR1 SDR2 SDV D side				NKE Corp.: Fieldbus System	1 to 8 stations	16	—
						NKE Corp.: Fieldbus H System			
Panasonic Industrial Devices SUNX Co., Ltd.: S-LINK (16 output points)			1 to 4 stations	8	●				
Panasonic Industrial Devices SUNX Co., Ltd.: S-LINK (8 output points)									
DeviceNet			1 to 8 stations	16					
OMRON Corp.: CompoBus/S (16 output points)									
OMRON Corp.: CompoBus/S (8 output points)	1 to 4 stations	8							
CC-LINK			1 to 8 stations	16					

Note 1) Separately order the 20P type cable assembly for the P kit.

Note 2) Specify the wiring so that the maximum number of solenoids is not exceeded. (The number of solenoids are counted as: 1 for single solenoids and 2 for type 3P double solenoids.)

Note 3) When specifying the negative common specifications of the L kit, suffix "N" to the kit symbol.

Air cylinder
 Rotary actuator
 Air gripper
 Directional control valve
 Flow control equipment
 Filter, Pressure control equipment
 Fittings & Tubing
 Air preparation equipment
 Pressure switch
 Clean gas filter

How to Order Valves

10-SQ1 1 3 1 - 5 1-C6 - - -

• Clean series

• Seal

1	Rubber seal
---	-------------

• CE-compliant

Nil	—
Q	CE-compliant

• Type of actuation

1	2 position single (A)4 2(B) (R1)5 1 3(R2) (P)
2	2 position double (Double solenoid) Note) (A)4 2(B) (R1)5 1 3(R2) (P) Rubber seal
3	3 position closed center (A)4 2(B) (R1)5 1 3(R2) (P)
4	3 position exhaust center (A)4 2(B) (R1)5 1 3(R2) (P)
5	3 position pressure center (A)4 2(B) (R1)5 1 3(R2) (P)

Note) For double solenoid specification, the function symbol below is "D".

• Function

Symbol	Specifications
Nil	Standard type (0.4 W)
B	Quick response type (0.95 W)
D Note 1)	2 position double (Double solenoid specifications)
N Note 2)	Negative common

Note 1) "D" is specified for 2 position double.
 Note 2) For L kit, when the manifold specifies negative common, the valve common should also be negative. The combination of negative common of the valve cannot be specified with S kit (EX140).
 Note 3) When two or more symbols are specified, indicate them alphabetically.

• With/Without manifold block

Nil	M	MB
Without manifold block	With manifold block	With manifold block, built-in back pressure check valve
	 * Lead wire is not included.	 * Lead wire is not included.
<ul style="list-style-type: none"> When ordering with manifolds When only valves are required. 		For adding stations

• Port plug mounting port

Nil	None
A	Port 4(A)
B	Port 2(B)

• Cylinder port

Symbol	Port size	Port location	
C3	With One-touch fittings for ø3.2	Side ported	
C4	With One-touch fittings for ø4		
C6	With One-touch fittings for ø6		
M5	M5 thread	Top ported Note)	
L3	With One-touch fittings for ø3.2		
L4	With One-touch fittings for ø4		
L6	With One-touch fittings for ø6		
L5	M5 thread		

Note) Can be changed to side ported configuration.

• Manual override

Nil	B
Non-locking push type (Tool required)	Locking type (Tool required)

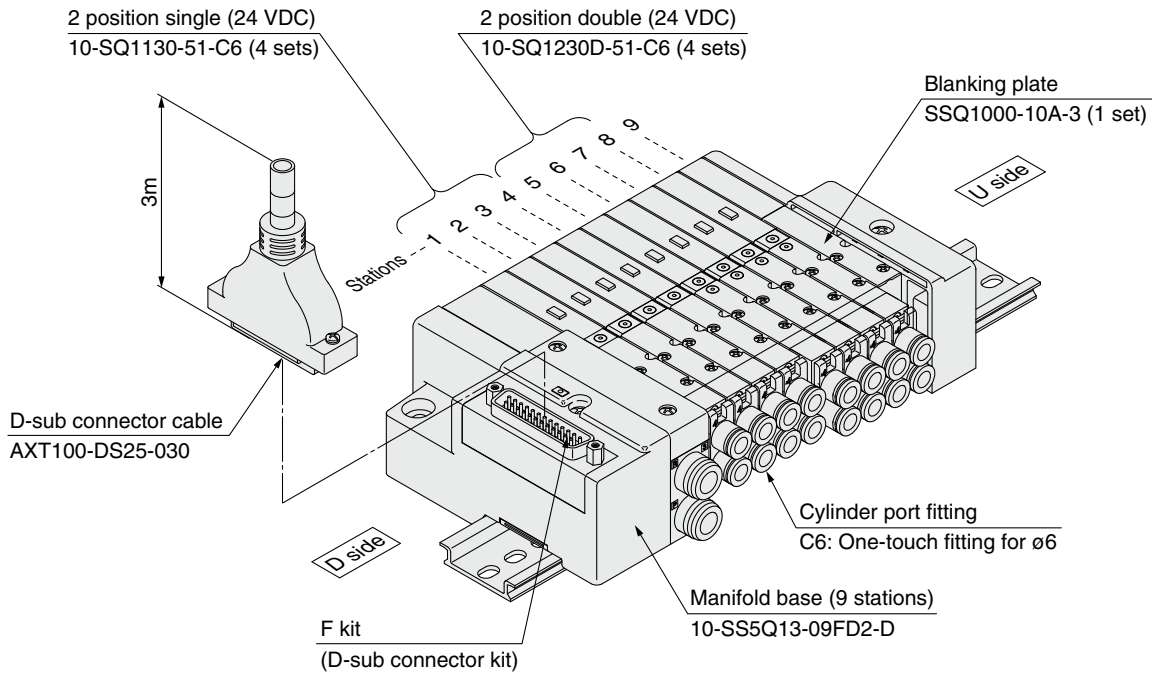
• Rated voltage

5	24 VDC
6	12 VDC

Note 1) Light/surge voltage suppressor is built-in.
 Note 2) S kit: 24 VDC only

How to order manifold assembly (Example)

Example) D-sub connector kit, with cable (3 m)



10-SS5Q13-09FD2-D 1 set (F kit 9-station manifold base)

*** 10-SQ1130-51-C6 4 sets (2 position single)**

*** 10-SQ1230D-51-C6 4 sets (2 position double)**

*** SSQ1000-10A-3 1 set (Blanking plate)**

→ The asterisk denotes the symbol for assembly. Prefix it to the part nos. of the solenoid valve, etc.

Add the valve and option part numbers in order starting from the first station on the D side.

When entry of part numbers becomes complicated, indicate on the manifold specification sheet.

Air cylinder

Rotary actuator

Air gripper

Directional control valve

Flow control equipment

Filter, Pressure control equipment

Fittings & Tubing

Air preparation equipment

Pressure switch

Clean gas filter

5 port solenoid valve Plug-in unit 10-SQ1000

Model

Series	Type of actuation	Seal	Model	Flow characteristic ^{Note 1)}						Response time (ms) ^{Note 2)}		Weight (g)	
				1 → 4/2 (P → A/B)			4 → 5 (A → R1)			Standard (0.4 W)	Quick response (0.95 W)		
				C [dm ³ /(s·bar)]	b	Cv	C [dm ³ /(s·bar)]	b	Cv				
SQ1000	2 position	Single	Rubber seal	10-SQ1131	0.79	0.20	0.19	0.80	0.20	0.19	24 or less	15 or less	80
		Double	Rubber seal	10-SQ1231D	0.79	0.20	0.19	0.80	0.20	0.19	20 or less	15 or less	95
	3 position	Closed center	Rubber seal	10-SQ1331	0.64	0.20	0.15	0.58	0.26	0.16	39 or less	25 or less	100
		Exhaust center	Rubber seal	10-SQ1431	0.64	0.20	0.15	0.80	0.20	0.19	39 or less	25 or less	100
		Pressure center	Rubber seal	10-SQ1531	0.79	0.21	0.19	0.59	0.20	0.14	39 or less	25 or less	100

Note 1) Values for the cylinder port size of C6, CYL → Values of EXH. Flow characteristics of 2 → 3 (B → R2) delines about 30% of 4 → 5 (A → R1).

Note 2) Based on JIS B 8375-1981. (Values with a supply pressure of 0.5 MPa and light/surge voltage suppressor. Values fluctuate depending on the pressure and air quality.)

Specifications



Valve specifications	Valve construction	Rubber seal		
	Fluid	Air/Inert gas		
	Maximum operating pressure	0.7 MPa		
	Min. operating pressure	Single	0.15MPa	
		Double (Double solenoid)	0.1MPa	
		3 position	0.2MPa	
	Ambient and fluid temp.	-10 to 50°C ^{Note 1)}		
	Lubrication	Not required		
	Pilot valve manual override	Push type/Locking type (Tool required)		
	Vibration/Impact resistance ^{Note 2)}	30/150 m/s ²		
Protection structure	Dust tight			
Solenoid specifications	Coil rated voltage	12 VDC, 24 VDC		
	Allowable voltage fluctuation	±10% of rated voltage		
	Coil insulation type	Equivalent to class B		
	Power consumption (Current)	24 VDC	0.4 W DC (17 mA), 0.95 W DC (40 mA) ^{Note 3)}	
12 VDC		0.4 W DC (34 mA), 0.95 W DC (80 mA) ^{Note 3)}		

Note 1) Use dry air to prevent condensation when operating at low temperatures.

Note 2) Vibration resistance: No malfunction occurred in a one-sweep test between 45 and 2000 Hz. Test was performed at both energized and de-energized states in the axial direction and at the right angles to the main valve and armature. (Values at the initial period)

Impact resistance: No malfunction occurred when it is tested with a drop tester in the axial direction and at the right angles to the main valve and armature in both energized and deenergized states every once for each condition.

Note 3) Value for quick response type

Symbol

2 position single	2 position double (Double solenoid)	3 position closed center	3 position exhaust center	3 position pressure center
(A)4 2(B)	(A)4 2(B)	(A)4 2(B)	(A)4 2(B)	(A)4 2(B)
(R1)5 13(R2)	(R1)5 13(R2)	(R1)5 13(R2)	(R1)5 13(R2)	(R1)5 13(R2)
(P)	(P)	(P)	(P)	(P)

Manifold specifications

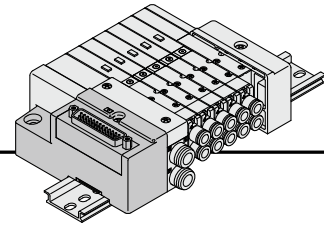
Base model	Piping specifications		Applicable solenoid valve	Connection type	Applicable stations ^{Note 3)}	5 station weight (g) ^{Note 4)}	1 station weight (g) ^{Note 4)}
	Port size ^{Note 1)}						
	P, R	A, B					
10-SS5Q13-□□-□	C8 (For ø8)	Side	C3 (For ø3.2) C4 (For ø4) C6 (For ø6) M5 (M5 thread)	F kit: D-sub connector	1 to 12 stations	420	20
		Top ^{Note 2)}	L3 (For ø3.2) L4 (For ø4) L6 (For ø6) L5 (M5 thread)	P kit: Flat ribbon cable	26P 20P	1 to 12 stations 1 to 9 stations	420
	J kit: Flat ribbon cable PC wiring system compatible			1 to 8 stations	420	20	
				L kit: Lead wire	1 to 12 stations	460	35
			S kit: Serial transmission	1 to 8 stations	475	20	

Note 1) One-touch fittings in inch sizes are also available.

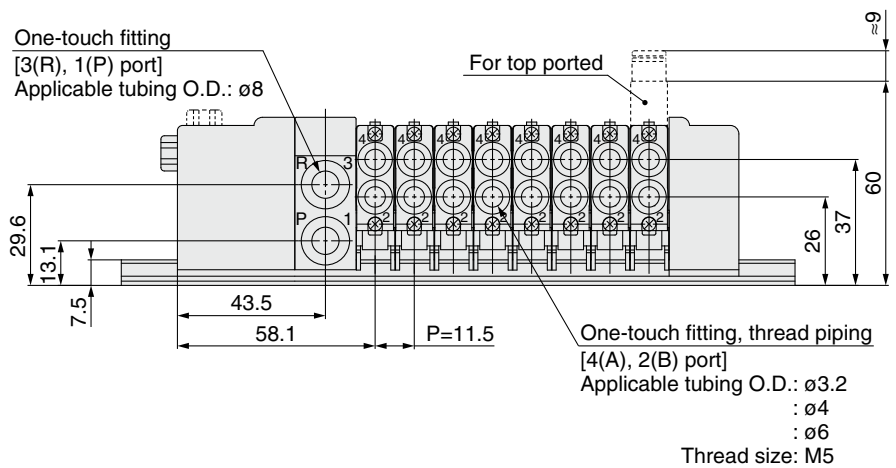
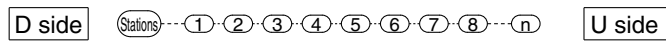
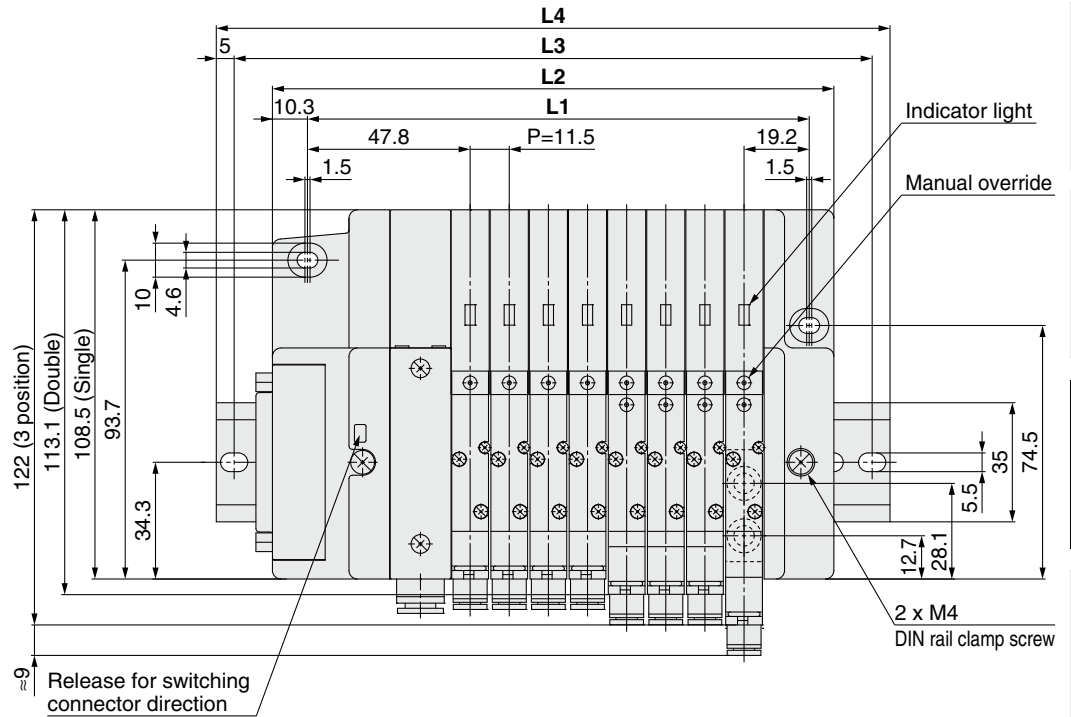
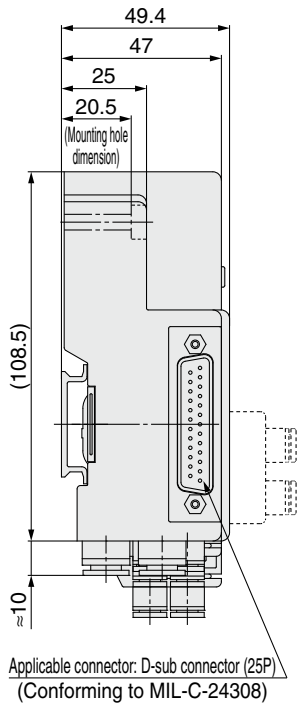
Note 2) Can be changed to side ported configuration.

Note 3) An optional specification for special wiring is available to increase the maximum number of stations.

Note 4) Except valves.



F Kit (D-sub connector kit)

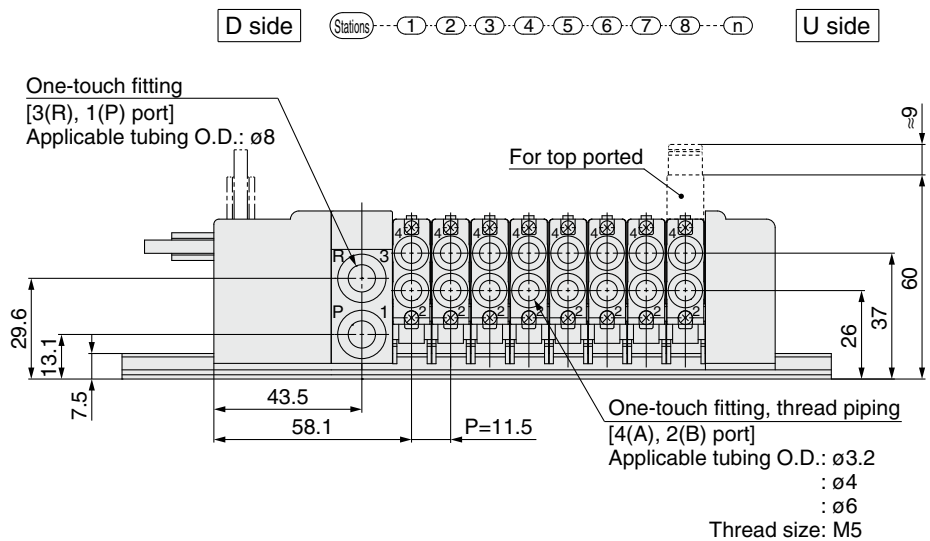
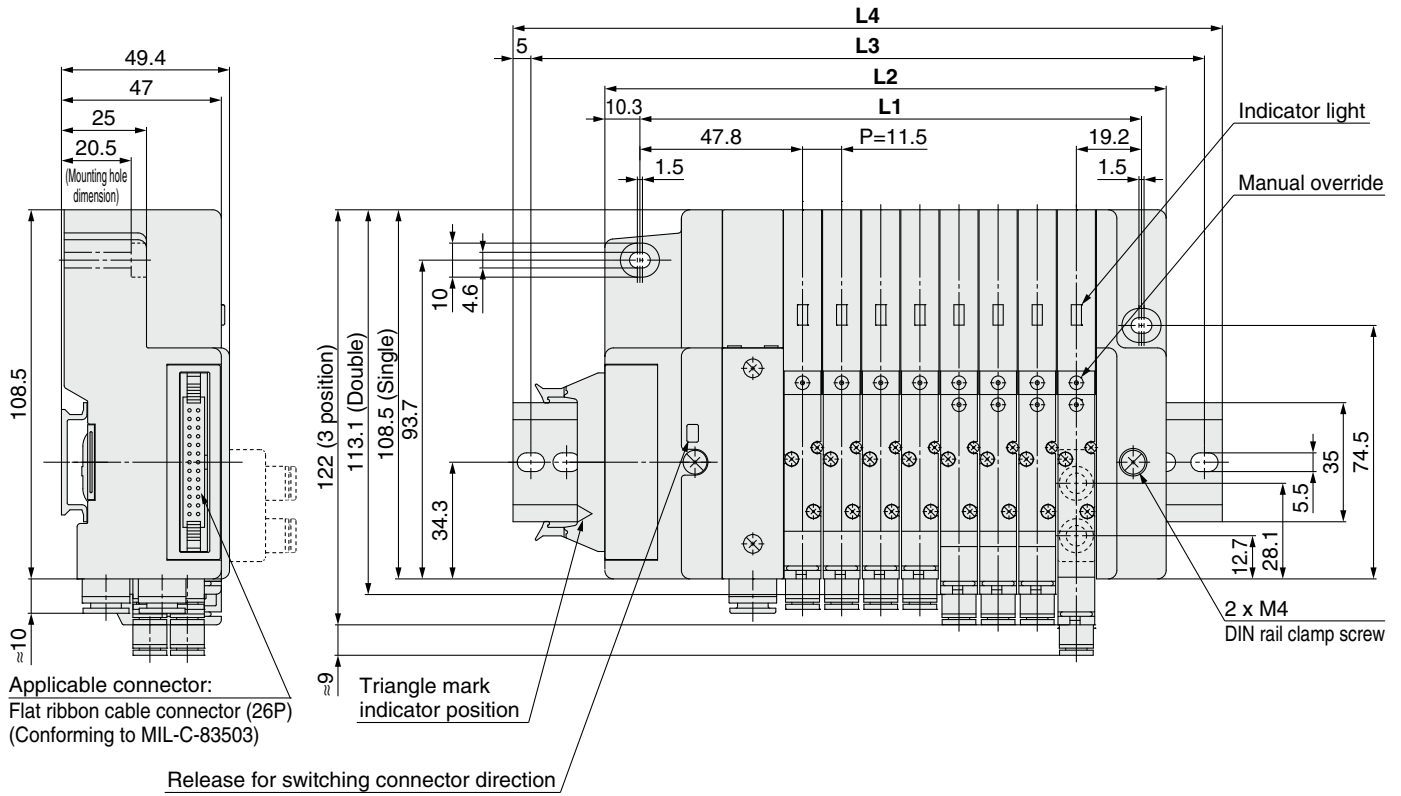
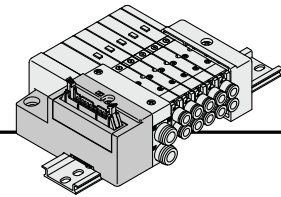


Dimensions

Formula $L1 = 11.5n + 55.5$ $L2 = 11.5n + 73$ n: Stations (Max. 24 stations)

L \ n	1	2	3	4	5	6	7	8	9	10	11	12	13	14	15	16	17	18	19	20	21	22	23	24
L1	67	78.5	90	101.5	113	124.5	136	147.5	159	170.5	182	193.5	205	216.5	228	239.5	251	262.5	274	285.5	297	308.5	320	331.5
L2	84.5	96	107.5	119	130.5	142	153.5	165	176.5	188	199.5	211	222.5	234	245.5	257	268.5	280	291.5	303	314.5	326	337.5	349
L3	112.5	125	137.5	150	150	162.5	175	187.5	200	212.5	225	237.5	250	262.5	275	287.5	300	300	312.5	325	337.5	350	362.5	375
L4	123	135.5	148	160.5	160.5	173	185.5	198	210.5	223	235.5	248	260.5	273	285.5	298	310.5	310.5	323	335.5	348	360.5	373	385.5

P Kit (Flat ribbon cable connector)

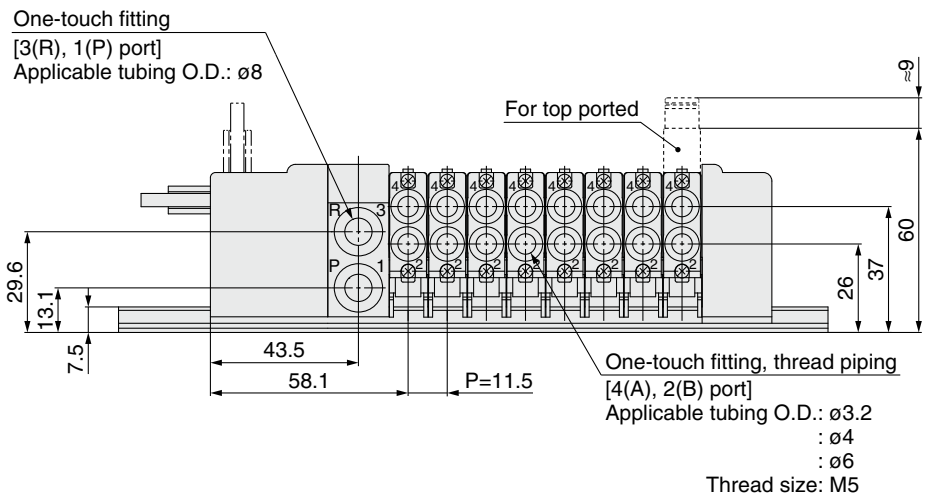
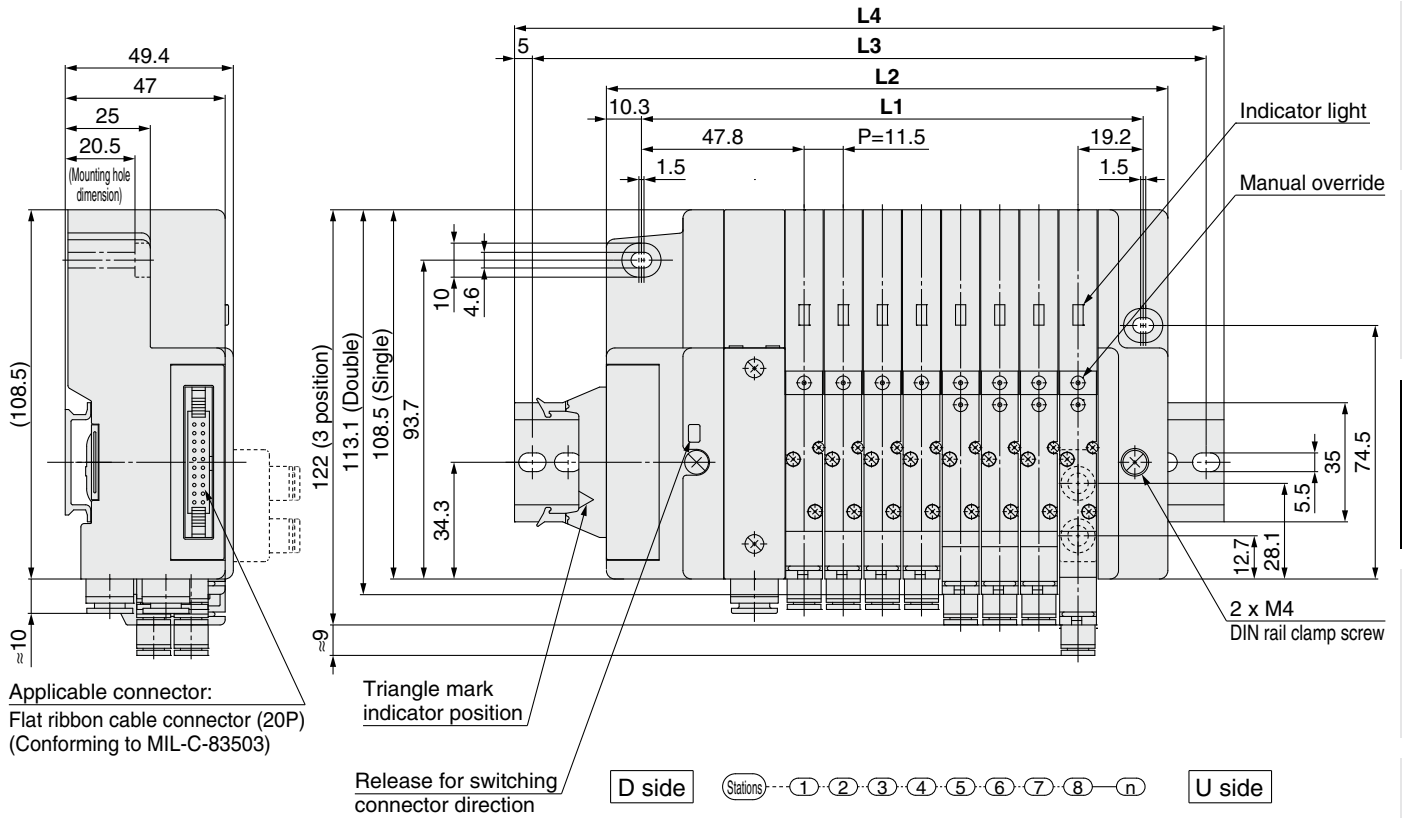
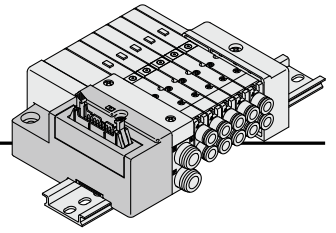


Dimensions

Formula $L1 = 11.5n + 55.5$ $L2 = 11.5n + 73$ n: Stations (Max. 24 stations)

L \ n	1	2	3	4	5	6	7	8	9	10	11	12	13	14	15	16	17	18	19	20	21	22	23	24
L1	67	78.5	90	101.5	113	124.5	136	147.5	159	170.5	182	193.5	205	216.5	228	239.5	251	262.5	274	285.5	297	308.5	320	331.5
L2	84.5	96	107.5	119	130.5	142	153.5	165	176.5	188	199.5	211	222.5	234	245.5	257	268.5	280	291.5	303	314.5	326	337.5	349
L3	112.5	125	137.5	150	162.5	175	187.5	200	212.5	225	237.5	250	262.5	275	287.5	300	312.5	325	337.5	350	362.5	375		
L4	123	135.5	148	160.5	173	185.5	198	210.5	223	235.5	248	260.5	273	285.5	298	310.5	323	335.5	348	360.5	373	385.5		

J Kit (PC wiring system compatible flat ribbon cable kit)



Dimensions Formula L1 = 11.5n + 55.5 L2 = 11.5n + 73 n: Stations (Max. 16 stations)

L \ n	1	2	3	4	5	6	7	8	9	10	11	12	13	14	15	16
L1	67	78.5	90	101.5	113	124.5	136	147.5	159	170.5	182	193.5	205	216.5	228	239.5
L2	84.5	96	107.5	119	130.5	142	153.5	165	176.5	188	199.5	211	222.5	234	245.5	257
L3	112.5	125	137.5	150	150	162.5	175	187.5	200	212.5	225	237.5	250	262.5	275	287.5
L4	123	135.5	148	160.5	160.5	173	185.5	198	210.5	223	235.5	248	260.5	273	285.5	298

Air cylinder

Rotary actuator

Air gripper

Directional control valve

Flow control equipment

Filter, Pressure control equipment

Fittings & Tubing

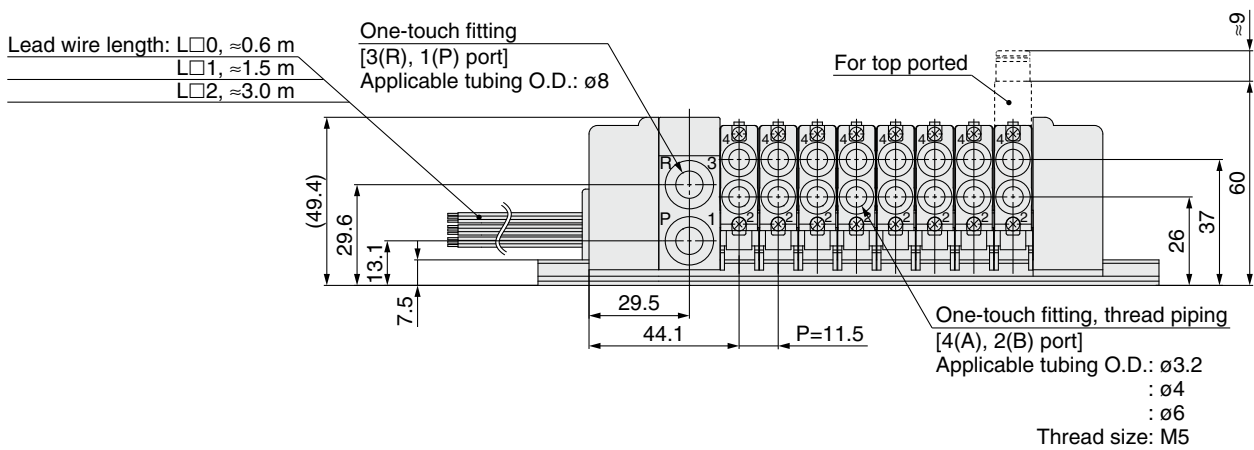
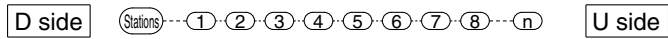
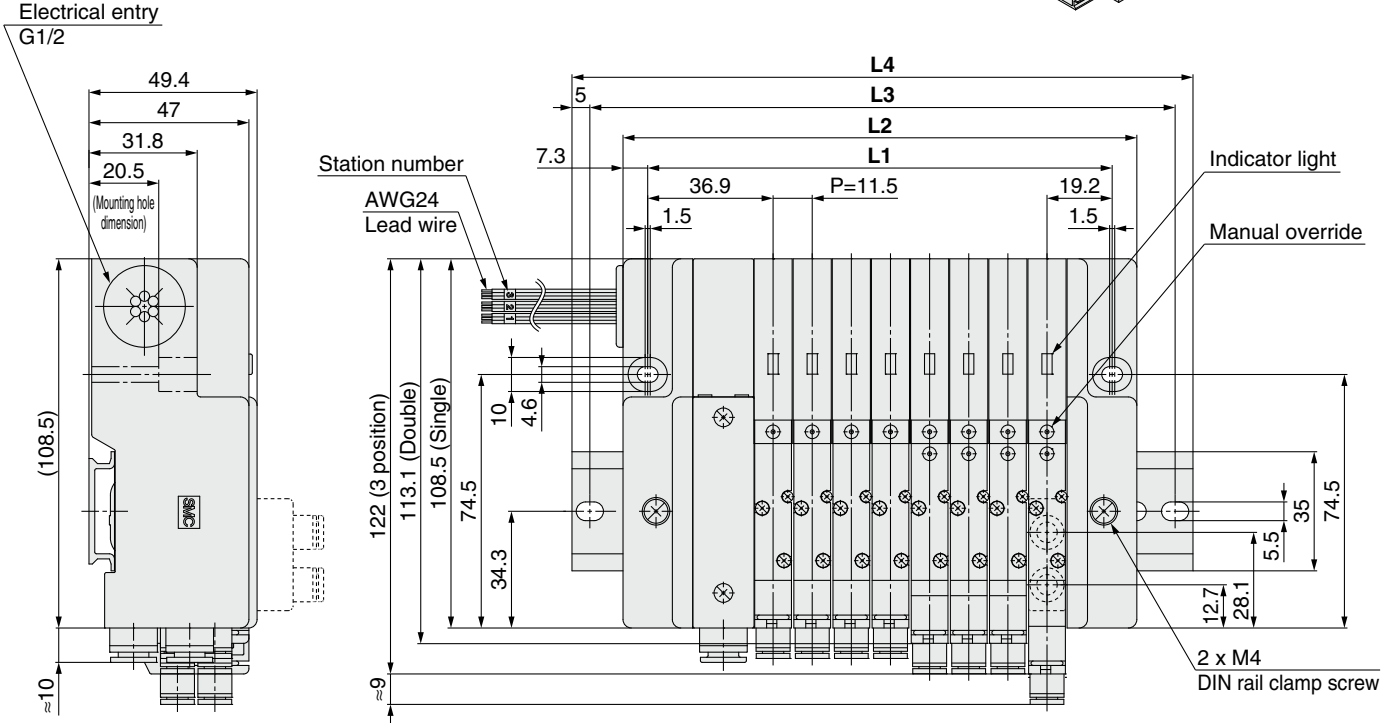
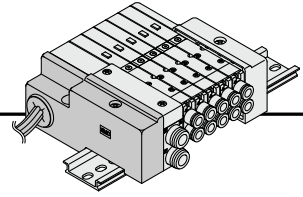
Air preparation equipment

Pressure switch

Clean gas filter

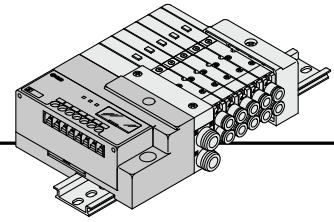
5 port solenoid valve Plug-in unit **10-SQ1000**

L Kit (Lead wire cable)

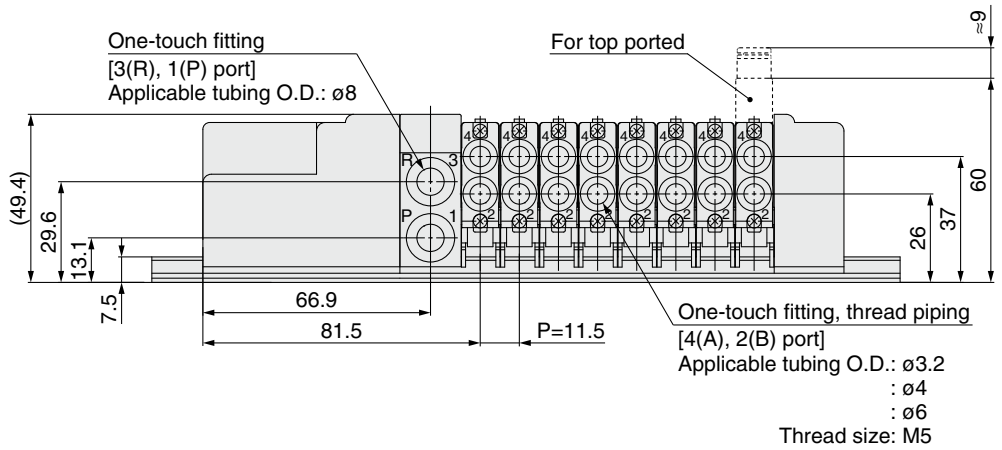
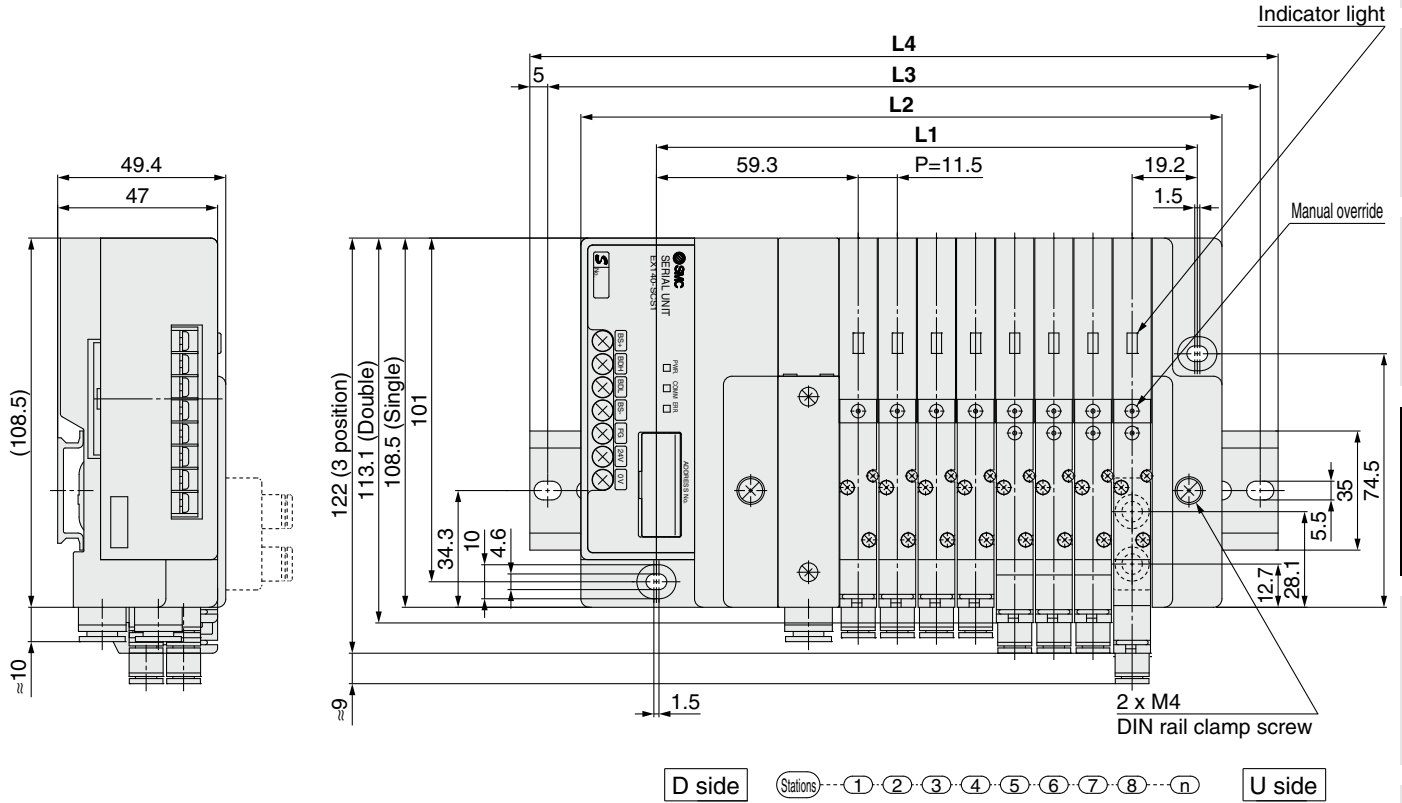


Dimensions Formula $L1 = 11.5n + 44.5$ $L2 = 11.5n + 59$ n: Stations (Max. 12 stations)

L \ n	1	2	3	4	5	6	7	8	9	10	11	12
L1	56	67.5	79	90.5	102	113.5	125	136.5	148	159.5	171	182.5
L2	70.5	82	93.5	105	116.5	128	139.5	151	162.5	174	185.5	197
L3	100	112.5	125	125	137.5	150	162.5	175	187.5	200	212.5	225
L4	110.5	123	135.5	135.5	148	160.5	173	185.5	198	210.5	223	235.5



S Kit (Serial transmission unit)



Dimensions

Formula $L1 = 11.5n + 67$ $L2 = 11.5n + 96.5$ n: Stations (Max. 16 stations)

L \ n	1	2	3	4	5	6	7	8	9	10	11	12	13	14	15	16
L1	78.5	90	101.5	113	124.5	136	147.5	159	170.5	182	193.5	205	216.5	228	239.5	251
L2	108	119.5	131	142.5	154	165.5	177	188.5	200	211.5	223	234.5	246	257.5	269	280.5
L3	137.5	150	162.5	175	187.5	200	212.5	225	237.5	250	262.5	275	287.5	300	310	320.5
L4	148	160.5	173	185.5	198	210.5	223	235.5	248	260.5	273	285.5	298	310.5	323	335.5

- Air cylinder
- Rotary actuator
- Air gripper
- Directional control valve
- Flow control equipment
- Filter, Pressure control equipment
- Fittings & Tubing
- Air preparation equipment
- Pressure switch
- Clean gas filter

Series 10-SQ2000

5 port solenoid valve
Plug-in unit

How to Order Manifold

10-SS5Q23-08 FD2-D

• Clean series

Stations	
01	1 station
⋮	⋮
16 (Note)	16 stations

Note) The maximum number of stations depends on the type of electrical entries.

• CE-compliant

Nil	—
Q	CE-compliant

• 1(P), 3(R) port size

Nil	1(P), 3(R) port One-touch fittings for ø10
00T	1(P), 3(R) port One-touch fittings for ø3/8"

• Option

Nil	None
02 to 16 (Note 1)	DIN rail length specified
B (Note 2)	Back pressure check valve
K (Note 3)	Special wiring specifications (Except double wiring)
N	With name plate (Side ported only)

Note 1) Specify DIN rail length with "D□" at the end. (Enter the number of stations inside □.)
The number of stations that may be displayed is longer than the manifold number of stations.
Example: -D09

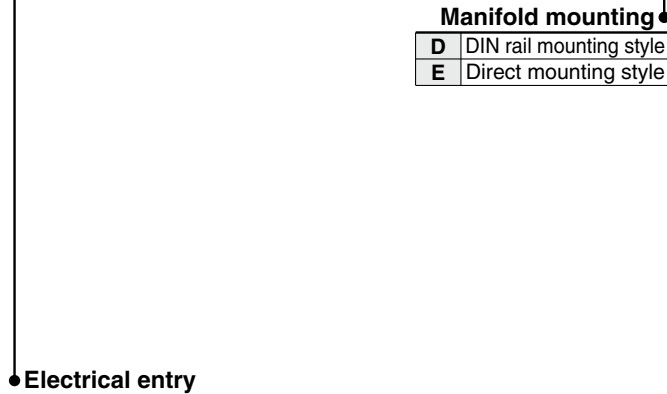
Note 2) When "-B" is selected, a back pressure check valve is included in all stations of the manifold.
If the back pressure check valve is used only for the station that need it, then specify the station location in the manifold specification. ("-B" is not necessary)

Note 3) Specify "-K" for wiring specification for cases below. (Except L kit)

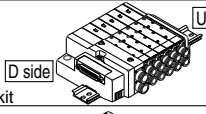
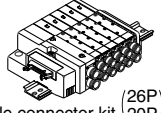
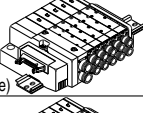
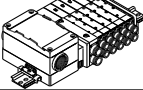
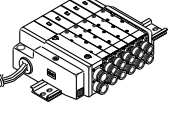
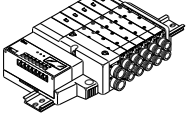
- All single wiring
- Single and double mixed wiring.

- When there are stations which do not require wiring (e.g. single SUP spacer), specify the wiring specification in the manifold specification so that the number of solenoids is the maximum number of solenoids or less. (Standard wiring specification is double wiring)

Note 4) For specifying two or more options, enter them alphabetically. Example: -BKN



• Electrical entry

Kit type	Lead wire connector location	Cable/SI unit specifications	Station (Double wiring)	Max. number of stations for special wiring specifications	Max. number of solenoids for special wiring specifications (Note 2)	CE-compliant	
F kit  D-sub connector kit	D side	FD0	D-sub connector (25P) kit, without cable	1 to 12 stations	16 stations	●	
		FD1	D-sub connector (25P) kit, with 1.5 m cable				
		FD2	D-sub connector (25P) kit, with 3.0 m cable				
		FD3	D-sub connector (25P) kit, with 5.0 m cable				
P kit  Flat ribbon cable connector kit (26P/20P)	D side (Note 1)	PD0	Flat ribbon cable (26P) kit, without cable	1 to 12 stations	16 stations	●	
		PD1	Flat ribbon cable (26P) kit, with 1.5 m cable				
		PD2	Flat ribbon cable (26P) kit, with 3.0 m cable				
		PD3	Flat ribbon cable (26P) kit, with 5.0 m cable				
PDC	Flat ribbon cable (20P) kit, without cable	1 to 9 stations	18				
J kit  Flat ribbon cable (20P) (PC Wiring System compatible)	D side	JD0	Flat ribbon cable (20P) PC wiring system compatible	1 to 8 stations	16 stations	16	●
T kit  Terminal block box kit	D side	TD0	Terminal block box kit	1 to 10 stations	16 stations	16	●
L kit Note 3)  Lead wire kit	D side	LD0 (N)	Lead wire kit with 0.6 m cable	1 to 12 stations	—	—	●
	U side	LU0 (N)					
	D side	LD1 (N)					
	U side	LU1 (N)					
	D side	LD2 (N)					
U side	LU2 (N)	Lead wire kit with 3.0 m cable					
S kit  Serial transmission kit EX140 Integrated-type (For Output) Serial Transmission System	D side	SDF	NKE Corp.: Fieldbus System	1 to 8 stations	16 stations	16	—
		SDH	NKE Corp.: Fieldbus H System				
		SDJ1	Panasonic Industrial Devices SUNX Co., Ltd.: S-LINK (16 output points)				
		SDJ2	Panasonic Industrial Devices SUNX Co., Ltd.: S-LINK (8 output points)				
		SDQ	DeviceNet				
		SDR1	OMRON Corp.: CompoBus/S (16 output points)				
		SDR2	OMRON Corp.: CompoBus/S (8 output points)				
SDV	CC-LINK	1 to 8 stations	16 stations	16	●		

Note 1) Separately order the 20P type cable assembly for the P kit.

Note 2) Specify the number of the solenoid so that the maximum station number is not exceeded. (The number of solenoids are counted as: 1 for single solenoids and 2 for type 3P double solenoids.)

Note 3) When specifying the negative common specifications of the L kit, suffix "N" to the kit symbol. For details, refer to page 1370.

How to Order Valves



• Clean series

• CE-compliant

Nil	—
Q	CE-compliant

• Seal

1	Rubber seal
---	-------------

• Type of actuation

1	2 position single (A)4 2(B) (R1)5 1 3(R2) (P)
2	2 position double (Double solenoid) Note (A)4 2(B) (R1)5 1 3(R2) (P) Rubber seal
3	3 position closed center (A)4 2(B) (R1)5 1 3(R2) (P)
4	3 position exhaust center (A)4 2(B) (R1)5 1 3(R2) (P)
5	3 position pressure center (A)4 2(B) (R1)5 1 3(R2) (P)

Note) For double solenoid specification, the function symbol below is "D".

• Function

Symbol	Specifications
Nil	Standard type (0.4 W)
B	Quick response type (0.95 W)
D Note 1)	2 position double (Double solenoid specifications)
N Note 2)	Negative common

Note 1) "D" is specified for 2 position double.
 Note 2) For L kit, when the manifold specifies negative common, the valve common should also be negative.
 The combination of negative common of the valve cannot be specified with S kit (EX140).
 Note 3) When two or more symbols are specified, indicate them alphabetically.

• With/Without manifold block

Nil	M	MB
Without manifold block	With manifold block	With manifold block, built-in back pressure check valve
	 * Lead wire is not included.	 * Lead wire is not included.
<ul style="list-style-type: none"> When ordering with manifolds When only valves are required. 		For adding stations

• Port plug mounting port

Nil	None
A	Port 4(A)
B	Port 2(B)

• Cylinder port

Symbol	Port size	Port location
C4	With One-touch fittings for ø4	Side ported
C6	With One-touch fittings for ø6	
C8	With One-touch fittings for ø8	
L4	With One-touch fittings for ø4	Top ported Note)
L6	With One-touch fittings for ø6	
L8	With One-touch fittings for ø8	

Note) Can be changed to side ported configuration.

• Manual override

Nil	B	D
Non-locking push type (Tool required)	Locking type (Tool required)	Slide locking type (Manual type) * Only side ported type applicable

• Rated voltage

5	24 VDC
6	12 VDC

Note 1) Light/surge voltage suppressor is built-in.
 Note 2) S kit: 24 VDC only

Air cylinder

Rotary actuator

Air gripper

Directional control valve

Flow control equipment

Filter, Pressure control equipment

Fittings & Tubing

Air preparation equipment

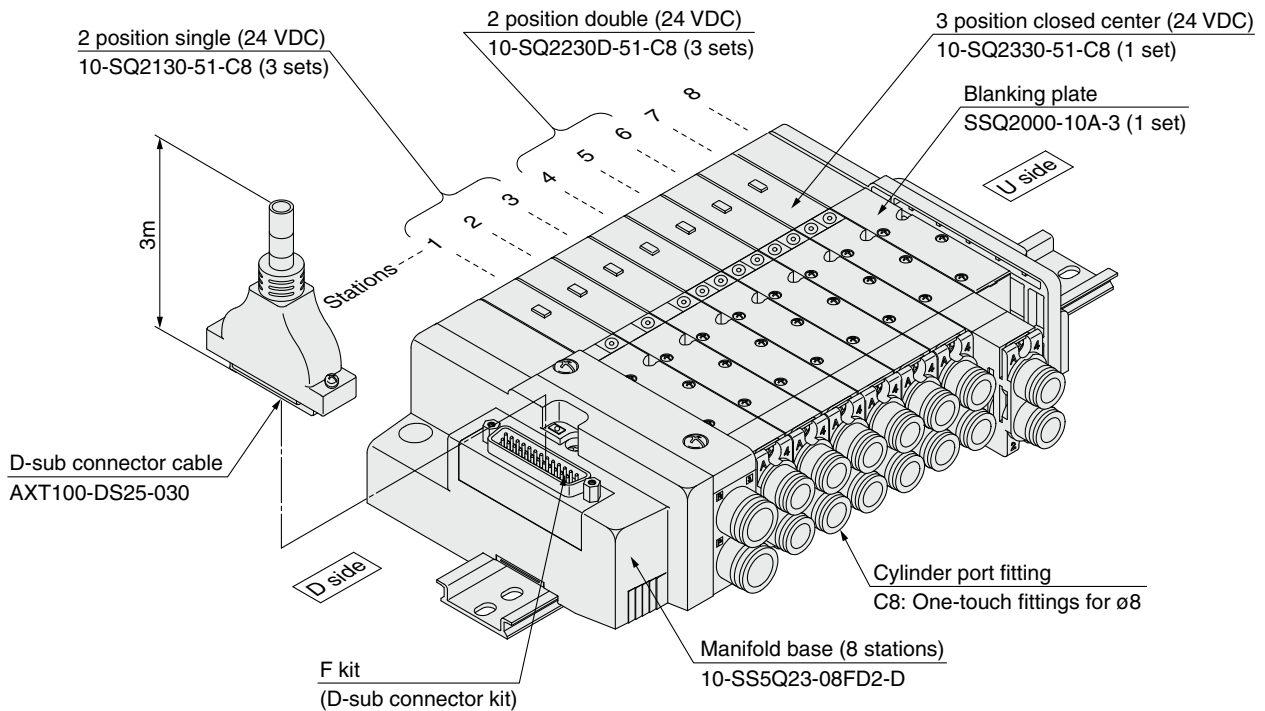
Pressure switch

Clean gas filter

5 port solenoid valve / Plug-in unit **10-SQ2000**

How to Order Manifold Assembly (Example)

Example) D-sub connector kit, with cable (3 m)



10-SS5Q23-08FD2-D ... 1 set (F kit 8-station manifold base)

- * 10-SQ2130-51-C8 3 sets (2 position single)
- * 10-SQ2230D-51-C8 ... 3 sets (2 position double)
- * 10-SQ2330-51-C8 1 set (3 position closed center)
- * SSQ2000-10A-3 1 set (Blanking plate)

→ The asterisk denotes the symbol for assembly. Prefix it to the part nos. of the solenoid valve, etc.

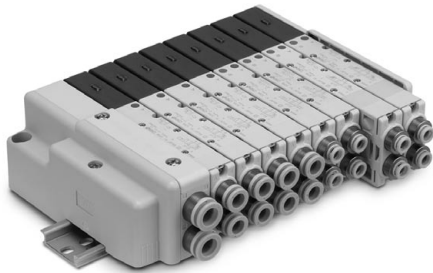
Add the valve and option part numbers in order starting from the first station on the D side.
When entry of part numbers becomes complicated, indicate on the manifold specification sheet.

Model

Series	Type of actuation	Seal	Model	Flow characteristic Note 1)						Response time (ms) Note 2)		Weight (g)	
				1→4/2 (P→A/B)			4/2→5/3 (A/B→R1/R2)			Standard (0.4 W)	Quick response (0.95 W)		
				C [dm ³ /(s·bar)]	b	Cv	C [dm ³ /(s·bar)]	b	Cv				
SQ2000	2 position	Single	Rubber seal	10-SQ2131	2.3	0.17	0.51	3.1	0.18	0.71	31 or less	24 or less	140
		Double	Rubber seal	10-SQ2231D	2.3	0.17	0.51	3.1	0.18	0.71	26 or less	20 or less	155
	3 position	Closed center	Rubber seal	10-SQ2331	1.9	0.17	0.46	1.8	0.29	0.47	44 or less	34 or less	175
		Exhaust center	Rubber seal	10-SQ2431	1.9	0.17	0.46	3.1	0.14	0.65	44 or less	34 or less	175
		Pressure center	Rubber seal	10-SQ2531	2.5	0.17	0.56	1.8	0.30	0.47	44 or less	34 or less	175

Note 1) Values for the top ported cylinder port size of C8. CYL → Values of EXH. The side ported type will be about 10% less.

Note 2) Based on JIS B 8375-1981. (Values with a supply pressure of 0.5 MPa and light/surge voltage suppressor. Values fluctuate depending on the pressure and air quality.)



Specifications

Valve specifications	Valve construction	Rubber seal	
	Fluid	Air/Inert gas	
	Maximum operating pressure	0.7 MPa	
	Min. operating pressure	Single	0.15 MPa
		Double (Double solenoid)	0.1 MPa
		3 position	0.2 MPa
	Ambient fluid temperature	-10 to 50°C Note 1)	
	Lubrication	Not required	
	Pilot valve manual override	Push type (Tool required)/Locking type (Tool required)/Slide locking type (Manual type)	
	Vibration/Impact resistance Note 2)	30/150 m/s ²	
Protection structure	Dust tight		
Solenoid specifications	Coil rated voltage	12 VDC, 24 VDC	
	Allowable voltage fluctuation	±10% of rated voltage	
	Coil insulation type	Equivalent to class B	
	Power consumption (Current)	24 VDC	0.4 W DC (17 mA), 0.95 W DC (40 mA) Note 3)
12 VDC		0.4 W DC (34 mA), 0.95 W DC (80 mA) Note 3)	

Note 1) Use dry air to prevent condensation when operating at low temperatures.

Note 2) Vibration resistance: No malfunction occurred in a one-sweep test between 45 and 2000 Hz. Test was performed at both energized and de-energized states in the axial direction and at the right angles to the main valve and armature. (Values at the initial period)

Impact resistance: No malfunction occurred when it is tested with a drop tester in the axial direction and at the right angles to the main valve and armature in both energized and de-energized states every once for each condition.

Note 3) Value for quick response type.

Symbol

2 position single	2 position double (Double solenoid)	3 position closed center	3 position exhaust center	3 position pressure center
(A)4 2(B)	(A)4 2(B)	(A)4 2(B)	(A)4 2(B)	(A)4 2(B)
(R1)5 1 3(R2) (P)	(R1)5 1 3(R2) (P)	(R1)5 1 3(R2) (P)	(R1)5 1 3(R2) (P)	(R1)5 1 3(R2) (P)

Manifold specifications

Base model	Piping specifications			Applicable solenoid valve	Connection type	Applicable stations Note 3)	5 stations weight (g) Note 4)	1 station weight (g) Note 4)
	Port size Note 1)							
	P, R	A, B	Port size					
Series 10-SQ2000	C10 (For ø10)	Side	C4 (For ø4)	10-SQ2□31	F kit: D-sub connector	1 to 12 stations	580	35
			C6 (For ø6)		P kit: Flat ribbon cable	26P	1 to 12 stations	580
10-SS5Q23-□□-□	C10 (For ø10)	Top Note 2)	C4 (For ø4)	10-SQ2□31	J kit: Flat ribbon cable PC wiring system compatible	1 to 8 stations	580	35
			C6 (For ø6)		L. Kit: Lead wire	1 to 12 stations	620	50
			C8 (For ø8)		S Kit: Serial transmission	1 to 8 stations	650	35

Note 1) One-touch fittings in inch sizes are also available.

Note 2) Can be changed to side ported configuration.

Note 3) An optional specification for special wiring is available to increase the maximum number of stations.

Note 4) Except valves.

Air cylinder

Rotary actuator

Air gripper

Directional control valve

Flow control equipment

Filter, Pressure control equipment

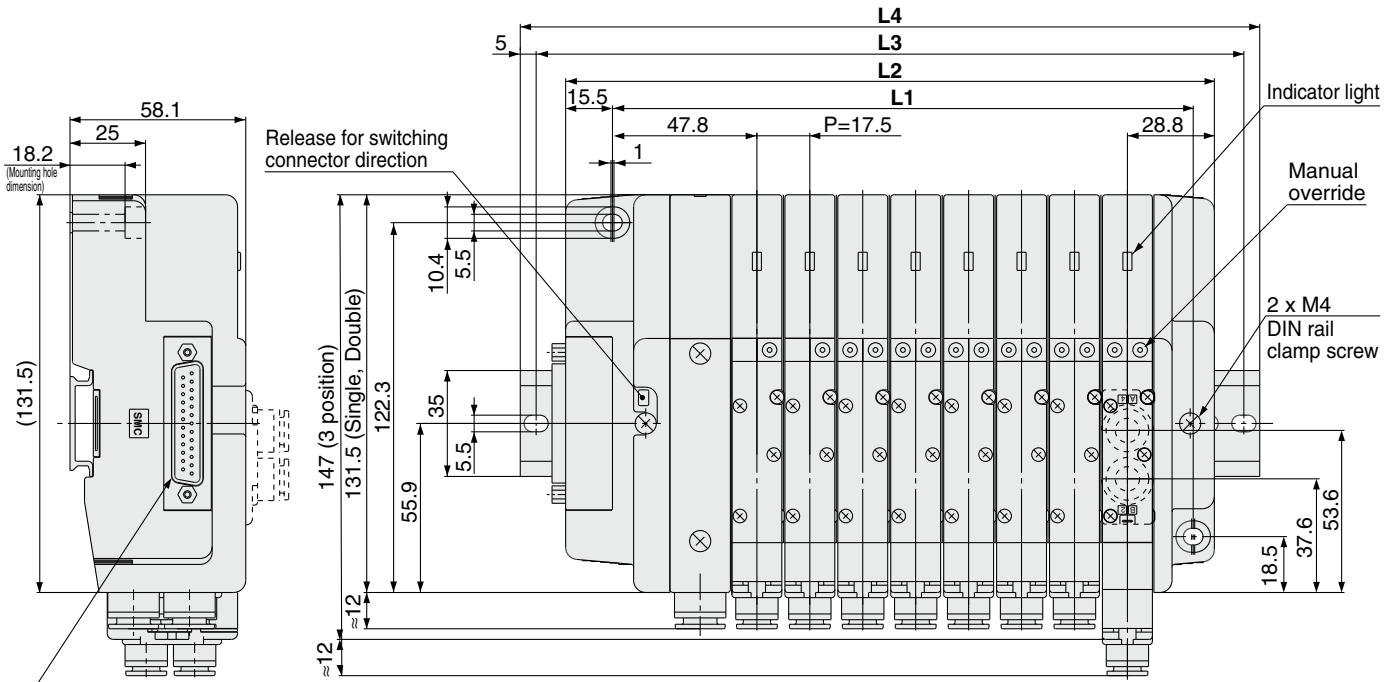
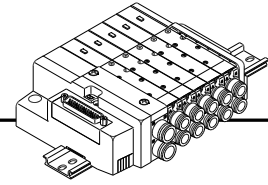
Fittings & Tubing

Air preparation equipment

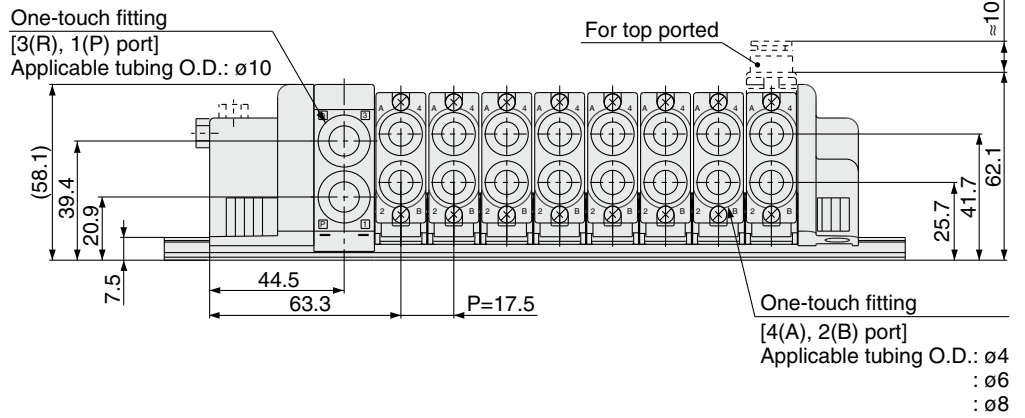
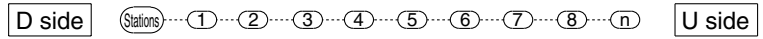
Pressure switch

Clean gas filter

F Kit (D-sub connector kit)



Applicable connector: D-sub connector (25P)
(Conforming to MIL-C-24308)

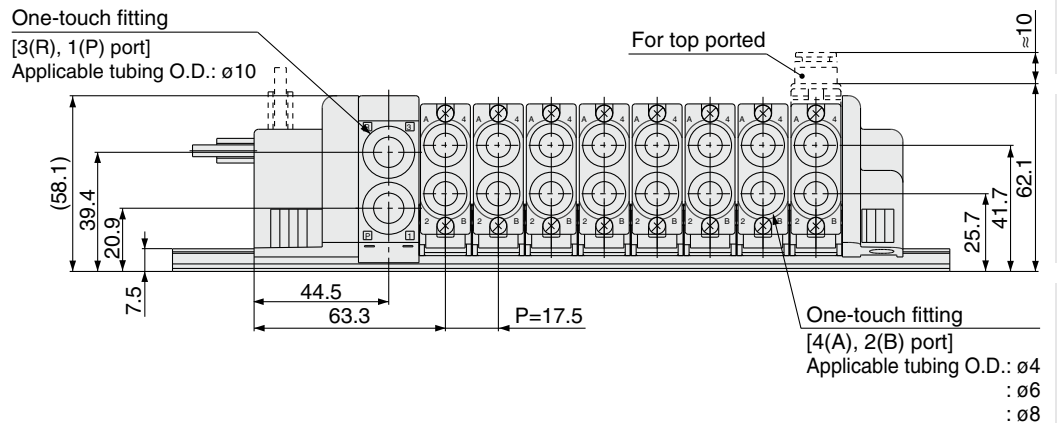
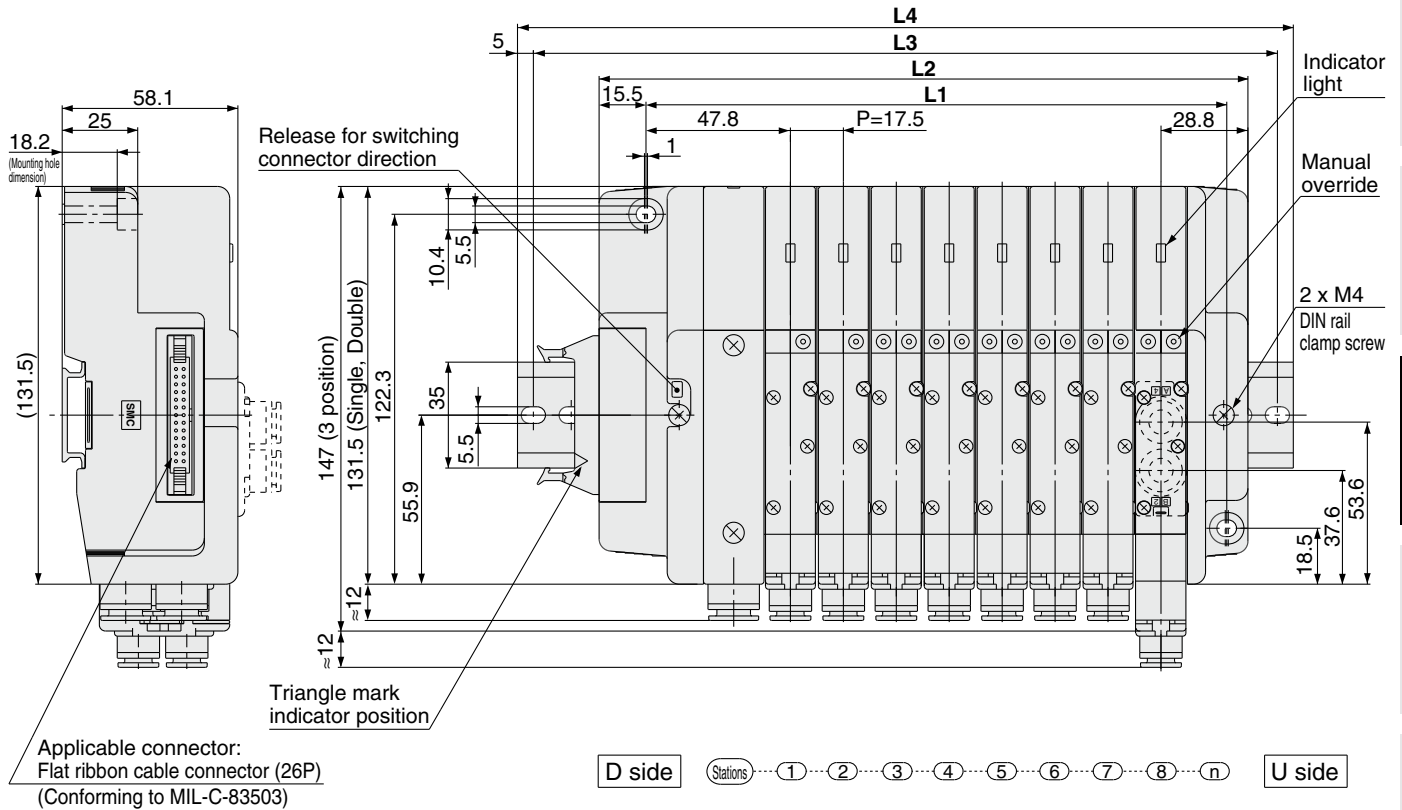
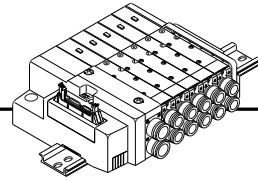


Dimensions

Formula: $L1 = 17.5n + 52$, $L2 = 17.5n + 74.5$ n: Stations (Max. 16 stations)

L \ n	1	2	3	4	5	6	7	8	9	10	11	12	13	14	15	16
L1	69.5	87	104.5	122	139.5	157	174.5	192	209.5	227	244.5	262	279.5	297	314.5	332
L2	92	109.5	127	144.5	162	179.5	197	214.5	232	249.5	267	284.5	302	319.5	337	354.5
L3	112.5	137.5	150	175	187.5	200	225	237.5	262.5	275	287.5	312.5	325	350	362.5	375
L4	123	148	160.5	185.5	198	210.5	235.5	248	273	285.5	298	323	335.5	360.5	373	385.5

P Kit (Flat ribbon cable kit)

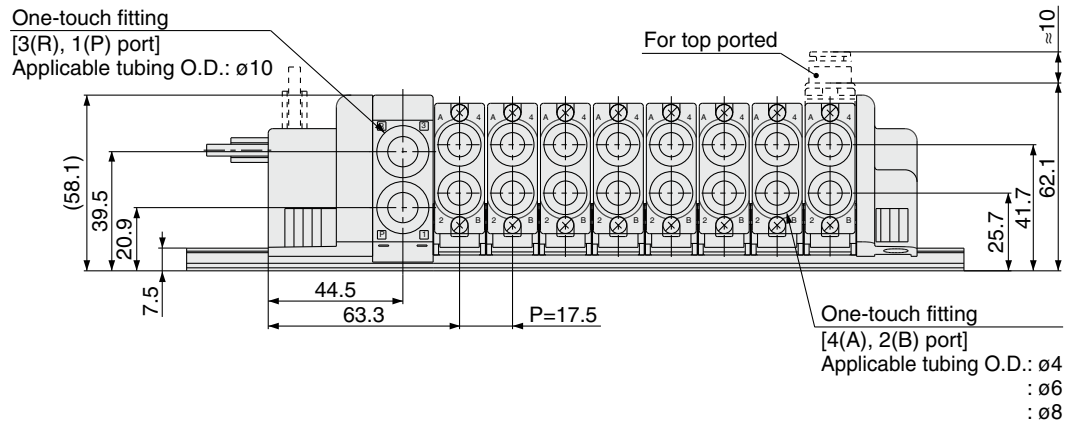
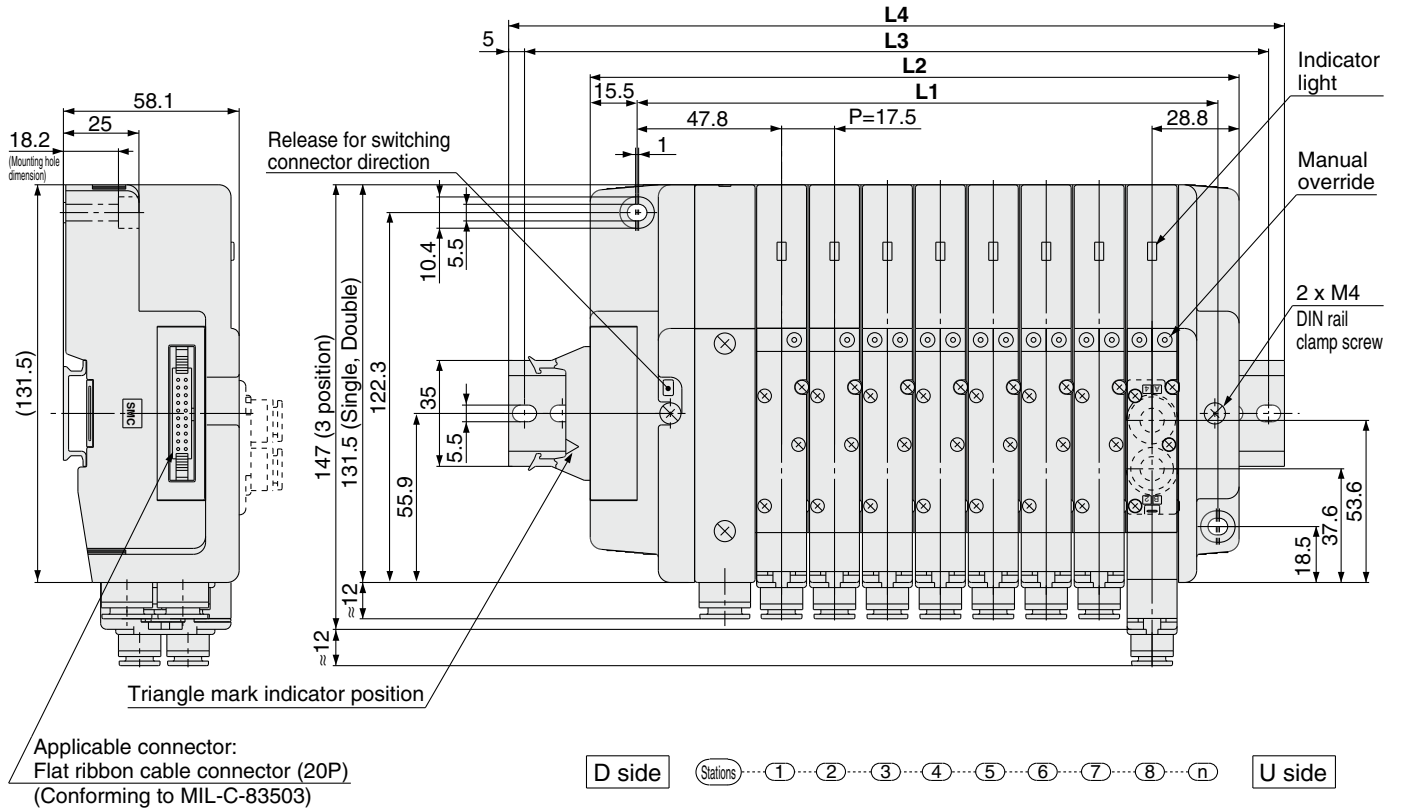
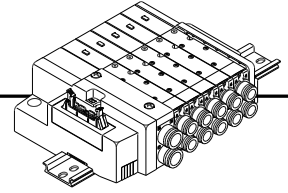


Dimensions

Formula: $L1 = 17.5n + 52$, $L2 = 17.5n + 74.5$ n: Stations (Max. 16 stations)

L \ n	1	2	3	4	5	6	7	8	9	10	11	12	13	14	15	16
L1	69.5	87	104.5	122	139.5	157	174.5	192	209.5	227	244.5	262	279.5	297	314.5	332
L2	92	109.5	127	144.5	162	179.5	197	214.5	232	249.5	267	284.5	302	319.5	337	354.5
L3	112.5	137.5	150	175	187.5	200	225	237.5	262.5	275	287.5	312.5	325	350	362.5	375
L4	123	148	160.5	185.5	198	210.5	235.5	248	273	285.5	298	323	335.5	360.5	373	385.5

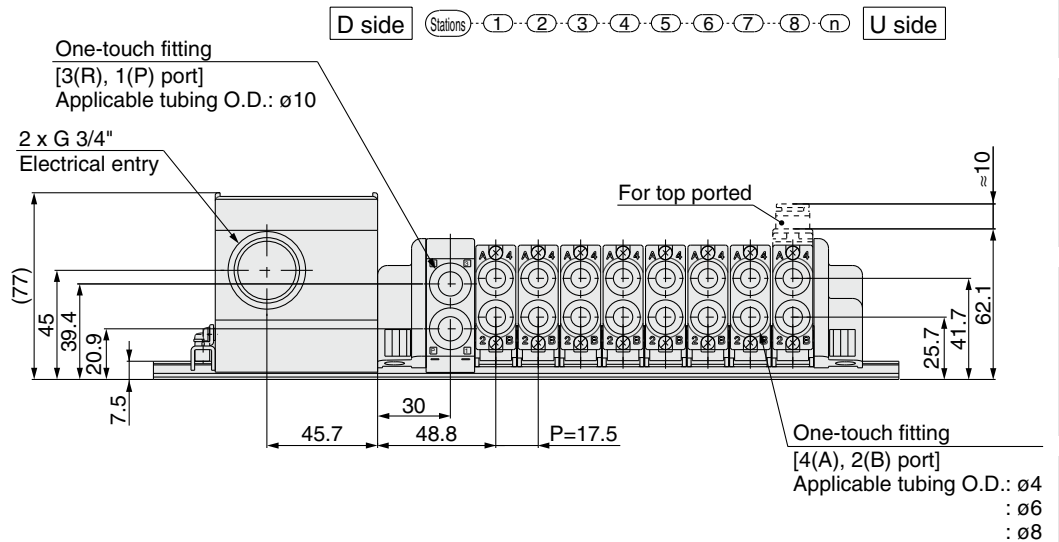
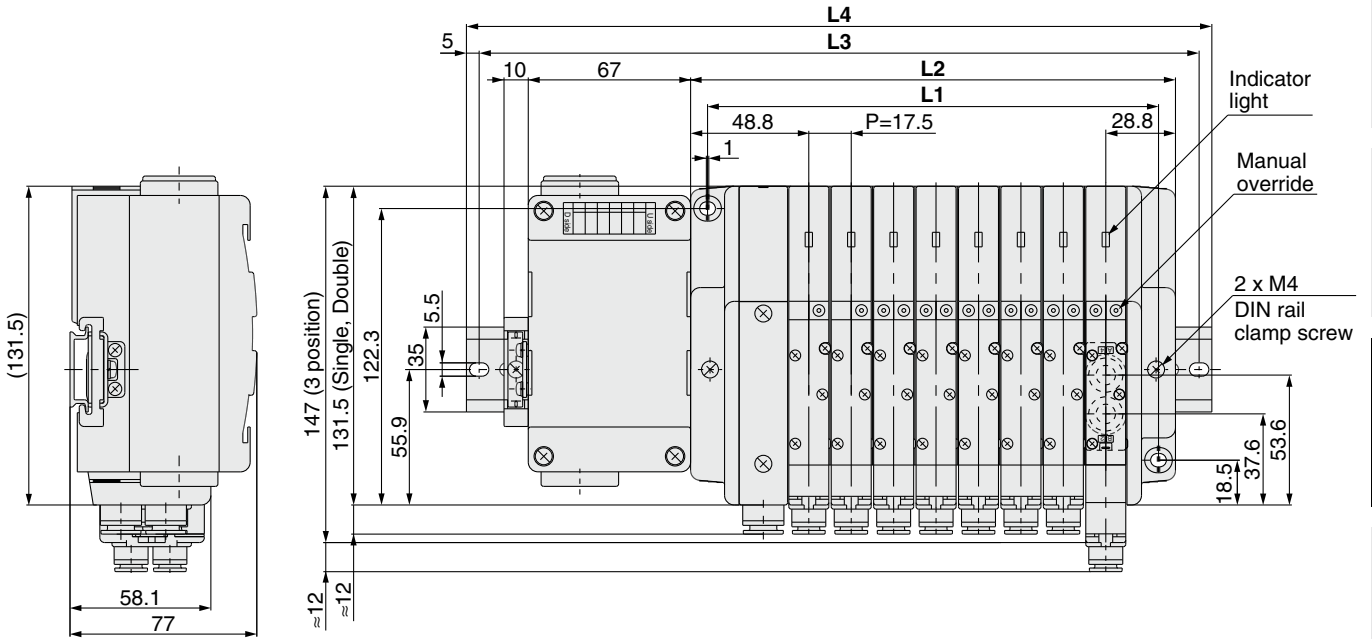
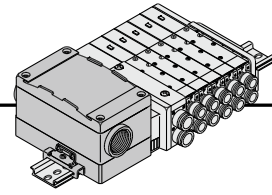
J Kit (PC wiring system compatible flat ribbon cable kit)



Dimensions Formula: L1 = 17.5n + 52, L2 = 17.5n + 74.5 n: Stations (Max. 16 stations)

L \ n	1	2	3	4	5	6	7	8	9	10	11	12	13	14	15	16
L1	69.5	87	104.5	122	139.5	157	174.5	192	209.5	227	244.5	262	279.5	297	314.5	332
L2	92	109.5	127	144.5	162	179.5	197	214.5	232	249.5	267	284.5	302	319.5	337	354.5
L3	112.5	137.5	150	175	187.5	200	225	237.5	262.5	275	287.5	312.5	325	350	362.5	375
L4	123	148	160.5	185.5	198	210.5	235.5	248	273	285.5	298	323	335.5	360.5	373	385.5

T Kit (Terminal block box kit)



Dimensions

Formula: $L1 = 17.5n + 46$, $L2 = 17.5n + 60$ n: Stations (Maximum 16 stations)

L	n	1	2	3	4	5	6	7	8	9	10	11	12	13	14	15	16
L1		63.5	81	98.5	116	133.5	151	168.5	186	203.5	221	238.5	256	273.5	291	308.5	326
L2		77.5	95	112.5	130	147.5	165	182.5	200	217.5	235	252.5	270	287.5	305	322.5	340
L3		175	200	212.5	237.5	250	262.5	287.5	300	325	337.5	350	375	387.5	412.5	425	437.5
L4	DIN rail mounting	185.5	210.5	223	248	260.5	273	298	310.5	335.5	348	360.5	385.5	398	423	435.5	448
	Direct mounting	160.5	173.0	198.0	210.5	235.5	248.0	260.5	285.5	298.0	323.0	335.5	348.0	373.0	385.5	410.5	423.0

Air cylinder

Rotary actuator

Air gripper

Directional control valve

Flow control equipment

Filter, Pressure control equipment

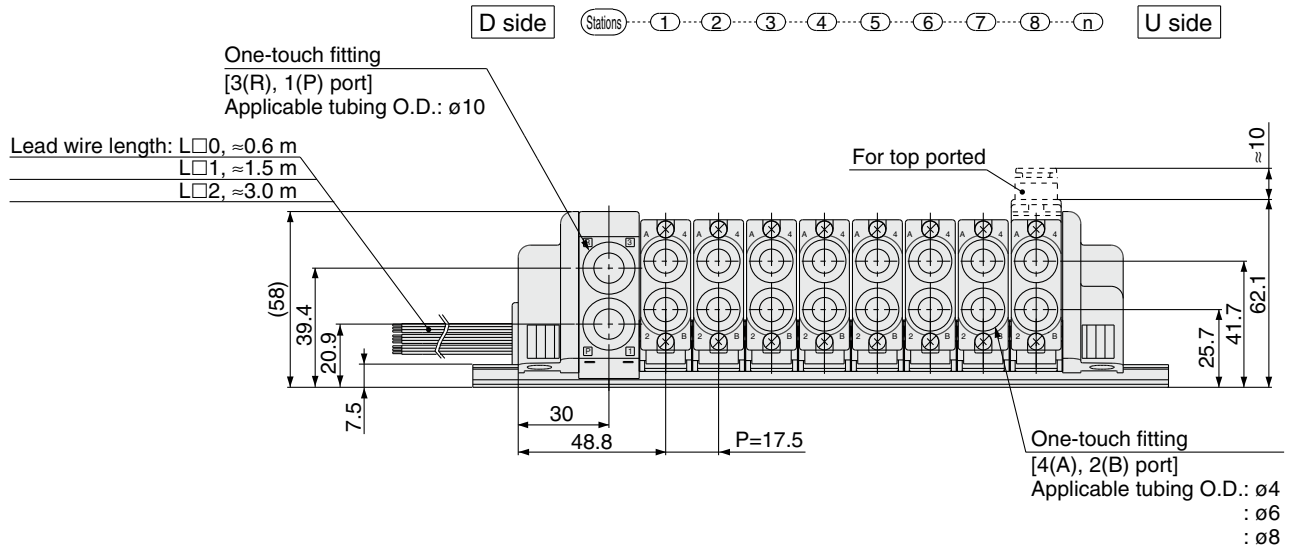
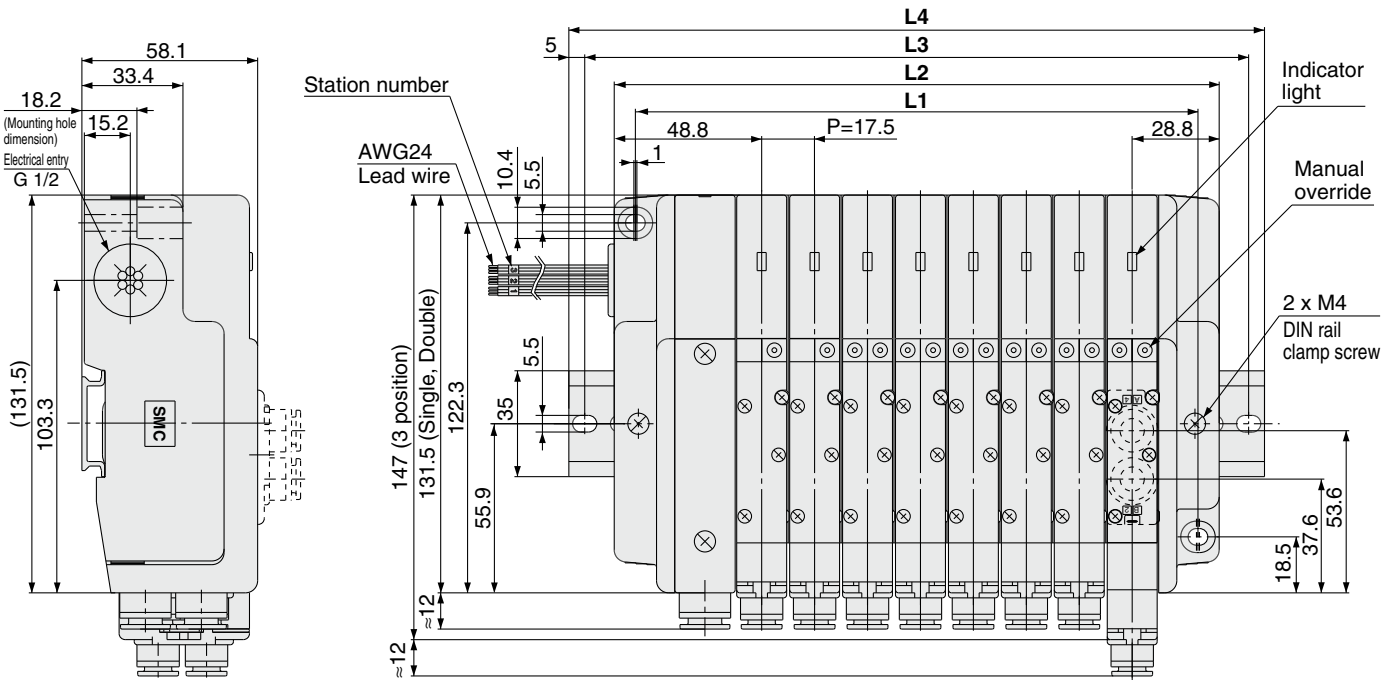
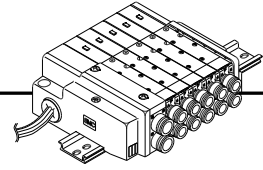
Fittings & Tubing

Air preparation equipment

Pressure switch

Clean gas filter

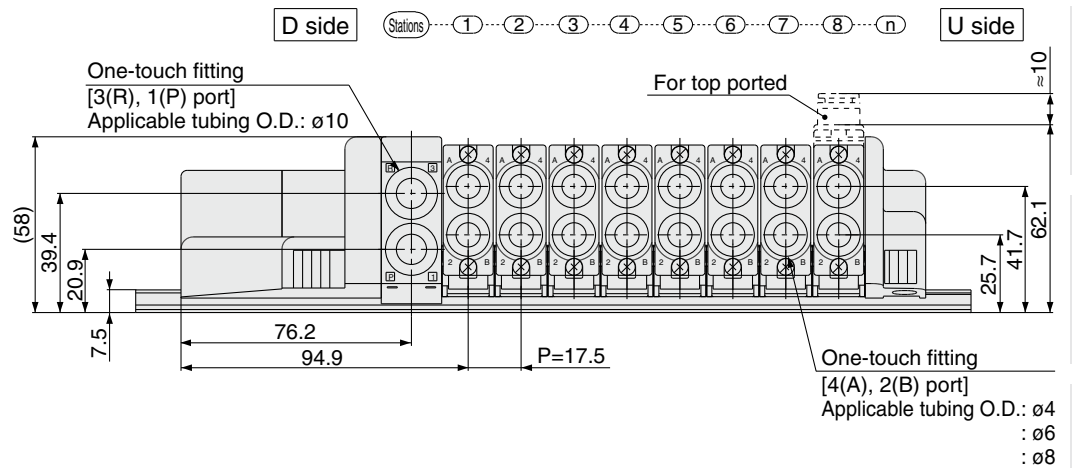
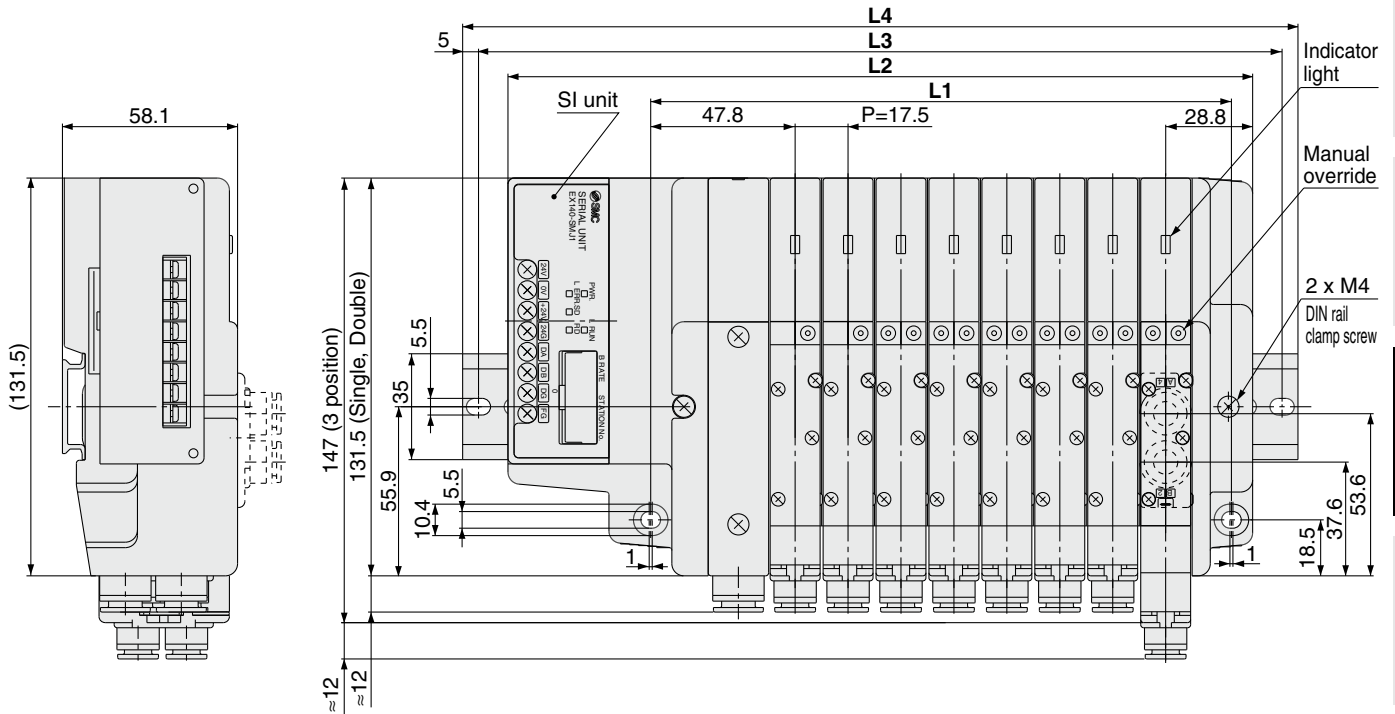
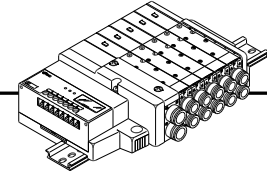
L Kit (Lead wire kit)



Dimensions Formula: L1 = 17.5n + 46, L2 = 17.5n + 60 n: Stations (Max. 12 stations)

L \ n	1	2	3	4	5	6	7	8	9	10	11	12
L1	63.5	81	98.5	116	133.5	151	168.5	186	203.5	221	238.5	256
L2	77.5	95	112.5	130	147.5	165	182.5	200	217.5	235	252.5	270
L3	100	125	137.5	150	175	187.5	212.5	225	237.5	262.5	275	300
L4	110.5	135.5	148	160.5	185.5	198	223	235.5	248	273	285.5	310.5

S Kit (Serial transmission kit)



Dimensions

Formula: $L1 = 17.5n + 52$, $L2 = 17.5n + 106$ n: Stations (Max. 16 stations)

L \ n	1	2	3	4	5	6	7	8	9	10	11	12	13	14	15	16
L1	69.5	87	104.5	122	139.5	157	174.5	192	209.5	227	244.5	262	279.5	297	314.5	332
L2	123.5	141	158.5	176	193.5	211	228.5	246	263.5	281	298.5	316	333.5	351	368.5	386
L3	150	162.5	187.5	200	225	237.5	250	275	287.5	312.5	325	337.5	362.5	375	400	412.5
L4	160.5	173	198	210.5	235.5	248	260.5	285.5	298	323	335.5	348	373	385.5	410.5	423