

Loadlimiter 63 RCBO

Single Module RCBOs

- Exceeds the requirements of EN 61009
- 10kA rated breaking capacity
- Type A and Type AC RCBOs available
- Single module width = 17.5mm
- Outgoing terminal capacity is 10mm²
- Busbar side terminal capacity is 35mm²

Current Rating (A)	Sensitivity (mA)	Type A RCBO		Type AC RCBO	
		B Type Product Code	C Type Product Code	B Type Product Code	C Type Product Code
6	30	KR1PB0630A	KR1PC0630A	KR1PB0630	KR1PC0630
10	30	KR1PB1030A	KR1PC1030A	KR1PB1030	KR1PC1030
16	30	KR1PB1630A	KR1PC1630A	KR1PB1630	KR1PC1630
20	30	KR1PB2030A	KR1PC2030A	KR1PB2030	KR1PC2030
32	30	KR1PB3230A	KR1PC3230A	KR1PB3230	KR1PC3230
40	30	-	-	KR1PB4030	KR1PC4030
45	30	-	-	KR1PB4530	KR1PC4530
6	100	-	-	-	KR1PC06100
10	100	-	-	-	KR1PC10100
16	100	-	-	-	KR1PC16100
20	100	-	-	-	KR1PC20100
32	100	-	-	-	KR1PC32100
40	100	-	-	-	KR1PC40100

Double Module RCBOs

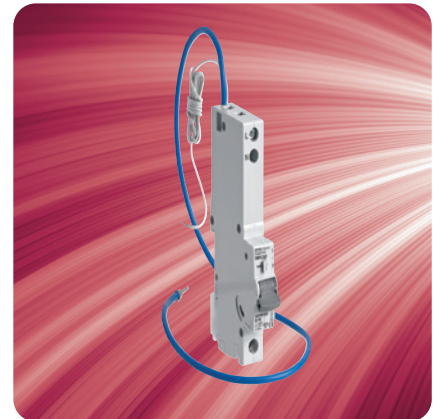
- Exceeds the requirements of EN 61009
- 10kA rated breaking capacity
- SP&SwN configuration
- Contact position indicator
- Rated voltage Ue 230V
- Rated frequency is 50Hz
- Energy limiting class 3
- Type AC
- Maximum cable termination is 35mm²

Current Rating (A)	Sensitivity (mA)	B Type Product Code	C Type Product Code
6	30	KR2PB0630	KR2PC0630
10	30	KR2PB1030	KR2PC1030
16	30	KR2PB1630	KR2PC1630
20	30	KR2PB2030	KR2PC2030
32	30	KR2PB3230	KR2PC3230
40	30	KR2PB4030	KR2PC4030

Note: Please be advised that some double module RCBOs have a minimum order quantity. Please check availability with the Customer Service Team before ordering.

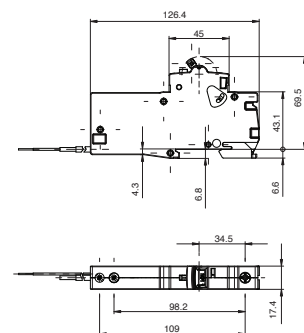
Accessories for Single Module RCBOs

Device Type	Product Code
Locking Devices	
RCBO Dolly locking device	KDL
Padlock for dolly locking device	XPL



Dimensions

Single Module



Double Module

