



# UE4215-14CA200

UE4215

NETWORK SOLUTIONS

**SICK**  
Sensor Intelligence.



### Ordering information

Type	Part no.
UE4215-14CA200	1025687

Other models and accessories → [www.sick.com/UE4215](http://www.sick.com/UE4215)



### Detailed technical data

#### Safety-related parameters

<b>Category</b>	Category 4 (EN ISO 13849)
<b>Performance level</b>	EN ISO 13849
<b>PFH<sub>D</sub> (mean probability of a dangerous failure per hour)</b>	$9.0 \times 10^{-9}$
<b>T<sub>M</sub> (mission time)</b>	20 years

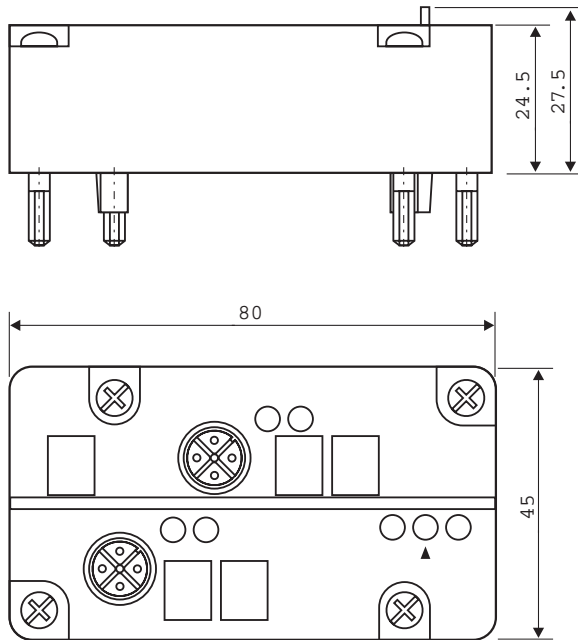
#### Mechanical data

<b>Weight</b>	100 g
---------------	-------

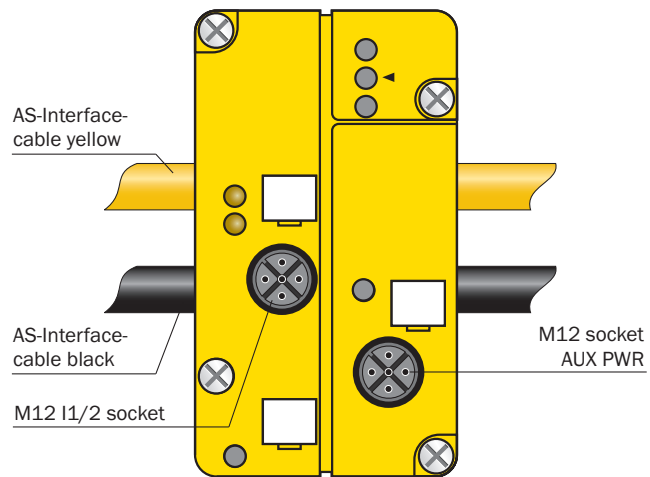
#### Classifications

<b>ECl@ss 5.0</b>	27371990
<b>ECl@ss 5.1.4</b>	27371990
<b>ECl@ss 6.0</b>	27371819
<b>ECl@ss 6.2</b>	27371819
<b>ECl@ss 7.0</b>	27371819
<b>ECl@ss 8.0</b>	27371819
<b>ECl@ss 8.1</b>	27371819
<b>ECl@ss 9.0</b>	27371819
<b>ETIM 5.0</b>	EC001449
<b>ETIM 6.0</b>	EC001449
<b>UNSPSC 16.0901</b>	41113704

Dimensional drawing (Dimensions in mm (inch))



Connection diagram



## SICK AT A GLANCE

SICK is one of the leading manufacturers of intelligent sensors and sensor solutions for industrial applications. A unique range of products and services creates the perfect basis for controlling processes securely and efficiently, protecting individuals from accidents and preventing damage to the environment.

We have extensive experience in a wide range of industries and understand their processes and requirements. With intelligent sensors, we can deliver exactly what our customers need. In application centers in Europe, Asia and North America, system solutions are tested and optimized in accordance with customer specifications. All this makes us a reliable supplier and development partner.

Comprehensive services complete our offering: SICK LifeTime Services provide support throughout the machine life cycle and ensure safety and productivity.

For us, that is “Sensor Intelligence.”

## WORLDWIDE PRESENCE:

Contacts and other locations –[www.sick.com](http://www.sick.com)