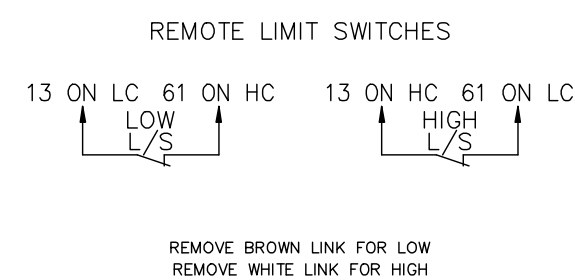
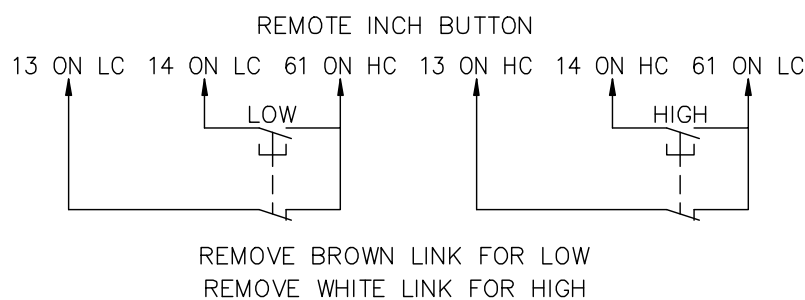
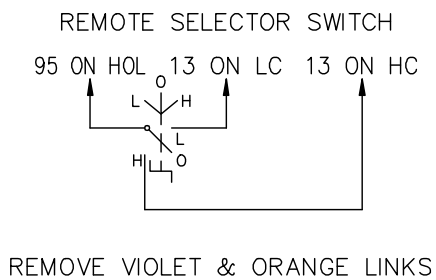
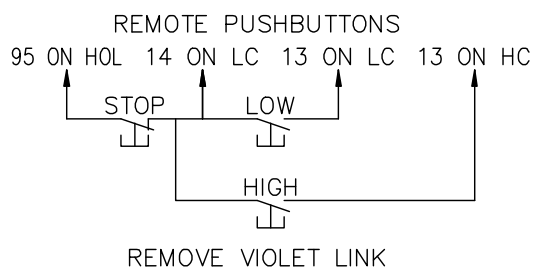


SEPARATE NO-VOLT SUPPLY
 REMOVE LINKS BETWEEN 1 ON LC & 96 ON LOL AND 5 ON LC & A1 ON LC.
 CONNECT SEPARATE NO-VOLT SUPPLY TO 96 ON LOL AND A1 ON LC.

LINE & NEUTRAL CONTROL.
 REMOVE LINK BETWEEN 5 ON LC & A1 ON LC. CONNECT NEUTRAL TO A1 ON LC.

MOTOR RUNNING IF REQ'D



ISO 9001, QUALITY IS YOUR RESPONSIBILITY, IF IN DOUBT ASK.

MATERIAL
 FINISH

TITLE
 C.D. FOR 3PC1/4-S

CURRENT REVISION No

ALT
 CKD
 DATE



DRAWING NUMBER
 A3/3331/12

RECORDED ISSUE No. 390
 DRN C.Hill CKD MK APPD AC
 DATE 16/06/10 SCALE