

**M12 Bu. D-cod. / RJ45 Ethernet adapter 0° 4-pol.**

Ethernet CAT5  
Control cabinet entry system  
Female straight – female straight  
M12 – RJ45, 4-pole  
D-coded  
shielded

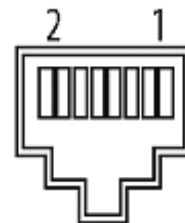
Plastic housings with good resistance against chemicals and oils. The resistance to aggressive media should be individually tested for your application. Further details on request.

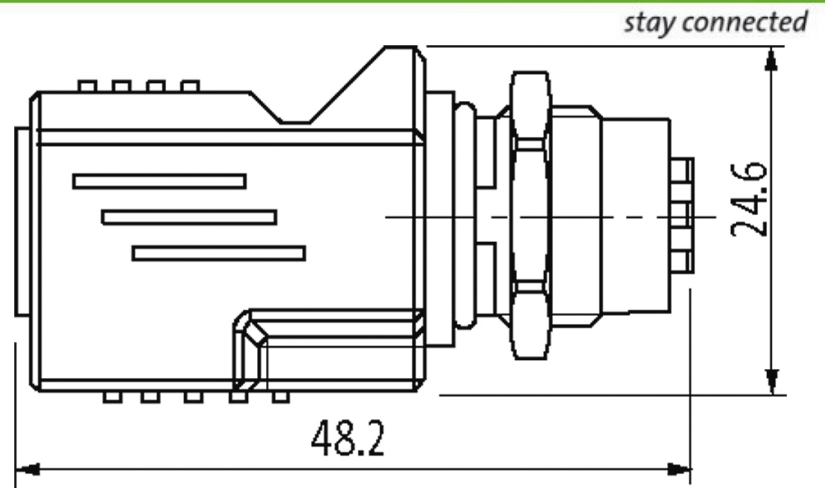
[Link to Product](#)**Illustration**

Female

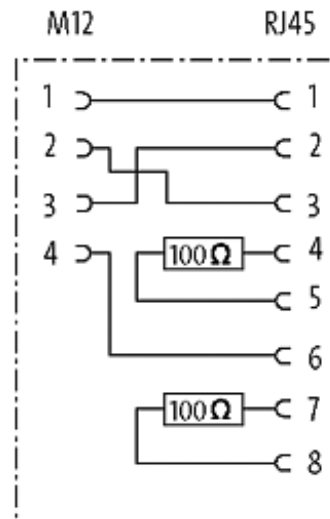


Female





Depth: 23 mm



Product may differ from Image

### More Info



EtherNet/IP



### Form

Form 44671

### Technical Data

Operating voltage	max. 60 V DC
Operating current per contact	max. 1.76 A
Transfer parameters	CAT5, Class D (ISO/IEC 11801:2002), (EN 50173-1)
Transfer rate	up to 100 Mbit/s full duplex
Coding	M12, D-coded
Protection	IP68 (M12) - IP20 (RJ45)
Locking material	Brass, chrome plated

The information in this brochure has been compiled with the utmost care.

Liability for the correctness completeness and topicality of the information is restricted to gross negligence. Version: 08/19

Murrelektronik GmbH | Falkenstraße 3 | 71570 Oppenweiler | Fon +49 (71 91) 47-0 | Fax +49 (71 91) 47-491000 | shop@murrelektronik.com | shop.murrelektronik.com

Material PUR

**General data**

Temperature range -25...+85 °C

**Commercial data**

country of origin CZ

customs tariff number 85366990

EAN 4048879566896

eClass 27143423

Packaging unit 1