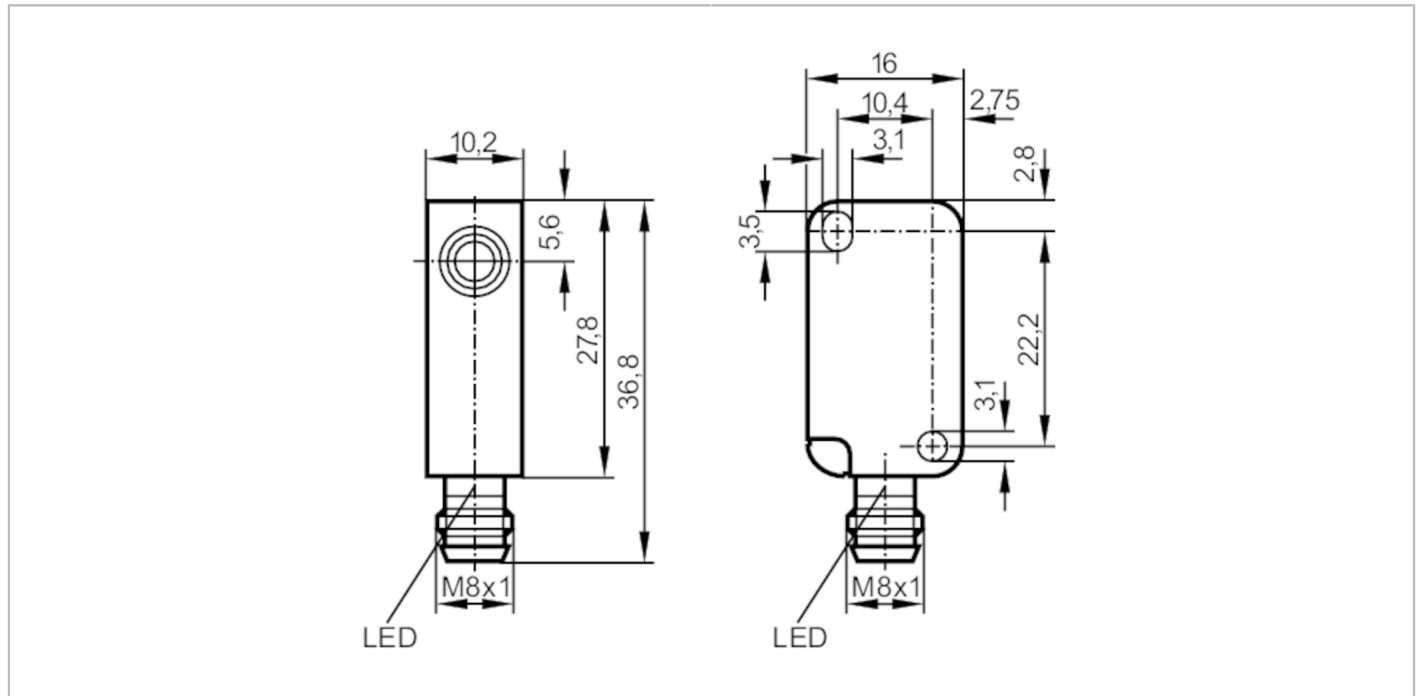


IS5035



Inductive sensor

IS-3002-BPOG/AS-510



Made in Germany

Electrical data

Operating voltage	[V]	10...36 DC; ("supply class 2" to cULus)
Current consumption	[mA]	15; (24 V)
Protection class		III
Reverse polarity protection		no

Outputs

Output function		normally open
Max. voltage drop switching output DC	[V]	1
Permanent current rating of switching output DC	[mA]	200
Switching frequency DC	[Hz]	800
Electrical design		PNP
Short-circuit protection		no
Overload protection		no

Range

Sensing range	[mm]	2
Real sensing range Sr	[mm]	2 ± 10 %
Operating distance	[mm]	0...1.6

Accuracy / deviations

Correction factor		steel: 1 / stainless steel: 0.7 / brass: 0.4 / aluminium: 0.3 / copper: 0.2
Hysteresis	[% of Sr]	1...15
Switch point drift	[% of Sr]	-10...10

IS5035



Inductive sensor

IS-3002-BPOG/AS-510

Operating conditions		
Ambient temperature	[°C]	-25...80
Protection		IP 67
Tests / approvals		
EMC	EN 60947-5-2	
	EN 55011	class B
MTTF	[years]	3523
Mechanical data		
Weight	[g]	11
Housing		rectangular
Mounting		flush mountable
Dimensions	[mm]	28 x 10 x 16
Materials		PBT
Tightening torque	[Nm]	< 0.5; (with washer)
Displays / operating elements		
Display	switching status	1 x LED, yellow
Remarks		
Pack quantity		1 pcs.
Electrical connection - plug		

Connector: 1 x M8



Connection

