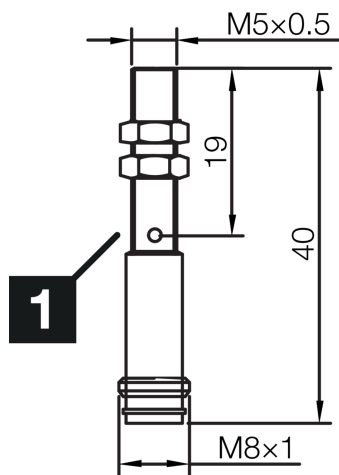




213205
INSM-M05-B0.8PS-T3
Inductive proximity sensor

- Single switching distance
- Metal connector M8
- Short-circuit protection
- LED switching status display
- High protection type



1) LED

BK: black

BN: brown

BU: blue

Function



Technical data (typ.)

+20°C, 24 V DC

Service voltage	10 ... 30 V DC
No-load current (max.)	10 mA
Insulation voltage endurance	500 V
Installation type	Flush
Thread	M5 x 0,5
Housing material	Stainless steel (V2A)
Protection class	III, operation on protective low voltage
Operating principle	inductive
Evaluation	digital
Design	Thread
Characteristics	Single switching distance
Product series	INSM Standard Miniature
Switching output	pnp, < 200 mA, NO
Voltage drop (max.)	1,5 V
Switching distance (SN)	0,8 mm
Standardized measuring plate	8 x 8 x 1 mm
Switching hysteresis (max.)	< 10 %
LED Anzeige	Yes
Switching frequency	2.000 Hz
Ambient temperature during operation	-25 ... +70 °C



213205
INSM-M05-B0.8PS-T3
Inductive proximity sensor

Technical data (typ.)

+20°C, 24 V DC

Protection type

IP 67

Connection

Connector, M8, 3-pin

More information / accessories

<https://www.di-soric.com/213205>