

**M 12 x 1****2 mm (0.08")**

●/-	●/-	-
NPN	PNP	AC

KIB-M12NS/ 002-KL2	KIB-M12PS/ 002-KL2	-
-----------------------	-----------------------	---

693.2303.001	693.2903.001	
---------------------	---------------------	--

263/4	263/1	
-------	-------	--

●/-	●/-	
-----	-----	--

-	-	-
---	---	---

M 12 x 1**2 mm (0.08")**

●/-	●/-	-
NPN	PNP	AC

KIB-M12NS/ 002-KLS12	KIB-M12PS/ 002-KLS12	-
-------------------------	-------------------------	---

693.2343.001	693.2943.001	
---------------------	---------------------	--

263/4	263/1	
-------	-------	--

●/-	●/-	
-----	-----	--

-	-	-
---	---	---

M 12 x 1**4 mm (0.16")**

-/●	-/●	-
NPN	PNP	AC

KIN-M12NS/ 004-KL2	KIN-M12PS/ 004-KL2	-
-----------------------	-----------------------	---

693.2304.001	693.2904.001	
---------------------	---------------------	--

263/4	263/1	
-------	-------	--

●/-	●/-	
-----	-----	--

-	-	-
---	---	---

10-36 V

-200 mA

800 Hz

●

●/-

-

-25 °C/+70 °C

-13 °F/+158 °F

IP 67/NEMA 4

-

PVC 3x0.14

-

-

10-36 V

-200 mA

800 Hz

●

●/-

-

-25 °C/+70 °C

-13 °F/+158 °F

IP 67/NEMA 4

-

PVC 3x0.14

-

-

10-36 V

-200 mA

800 Hz

●

●/-

-

-25 °C/+70 °C

-13 °F/+158 °F

IP 67/NEMA 4

-

284/285/286

-

-

10-36 V

-200 mA

800 Hz

●

●/-

-

-25 °C/+70 °C

-13 °F/+158 °F

IP 67/NEMA 4

-

284/285/286

-

-

10-36 V

-200 mA

400 Hz

●

●/-

-

-25 °C/+70 °C

-13 °F/+158 °F

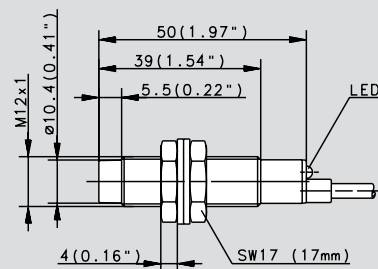
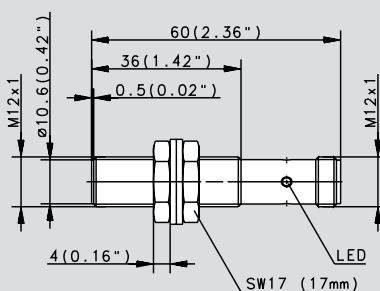
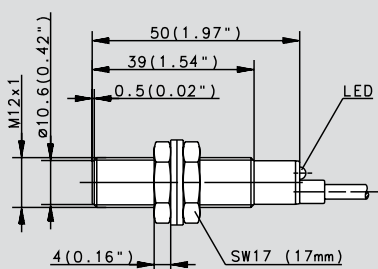
IP 67/NEMA 4

-

PVC 3x0.14

-

-



Inductive sensors Globaline

M 12 x 1
M 18 x 1



Rated operating distance	
Mounting	flush /non-flush
Switching functions	
	Model description
	Part number
Normally-open (NO)	Wiring diagram (page/pos.)
Stock status: Ex stock/Built to order	
	Model description
	Part number
Normally-closed (NC)	Wiring diagram (page/pos.)
Stock status: Ex stock/Built to order	
	Model description
	Part number
Normally-closed/open (NC/NO) selectable	Wiring diagram (page/pos.)
Stock status: Ex stock/Built to order	
	Model description
	Part number
Complementary	Wiring diagram (page/pos.)
Stock status: Ex stock/Built to order	
Electrical data	
Voltage range	
Output current	min./max.
Switching frequency	max.
Short-circuit protection	
LED: yellow = switched / green = power	
Sensitivity adjustment	
Mechanical data	
Temperature range	min./max.
Protection type after installation	
Housing material	
Termination	plug (page/Pos.)
Accessories	(page/Pos.)

M 12 x 1

4 mm (0.16")

-/●	-/●	-
NPN	PNP	AC
KIN-M12NS/ 004-KLS12	KIN-M12PS/ 004-KLS12	-
693.2344.001	693.2944.001	
263/4	263/1	
●/-	●/-	

M 18 x 1

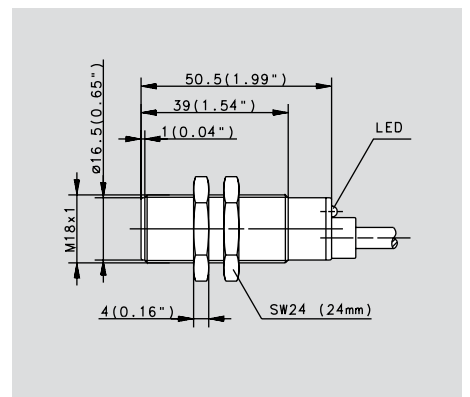
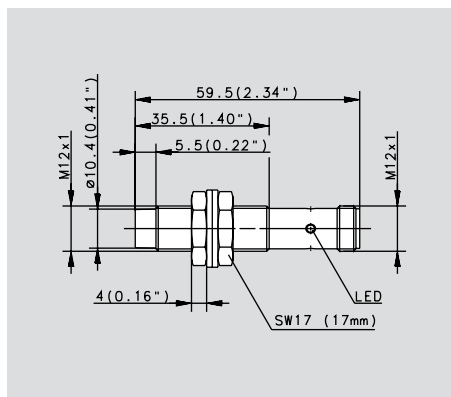
5 mm (0.20")

●/-	●/-	-
NPN	PNP	AC
KIB-M18NS/ 005-KL2	KIB-M18PS/ 005-KL2	-
693.2305.001	693.2905.001	
263/4	263/1	
●/-	●/-	

-	-	-	-	-	-
-	-	-	-	-	-
-	-	-	-	-	-
10-36 V	10-36 V	-	10-36 V	10-36 V	-
-200 mA	-200 mA	-	-200 mA	-200 mA	-
400 Hz	400 Hz	-	500 Hz	500 Hz	-
●	●	-	●	●	-
●/-	●/-	-	●/-	●/-	-
-	-	-	-	-	-
-25 °C/+70 °C	-25 °C/+70 °C	-	-25 °C/+70 °C	-25 °C/+70 °C	-
-13 °F/+158 °F	-13 °F/+158 °F	-	-13 °F/+158 °F	-13 °F/+158 °F	-
IP 67/NEMA 4	IP 67/NEMA 4	-	IP 67/NEMA 4	IP 67/NEMA 4	-
-	-	-	-	-	-
-	-	-	PVC 3x0.5	PVC 3x0.5	-
284/285/286	284/285/286	-	-	-	-
-	-	-	266/6	266/6	-

Dimension diagrams

All dimensions in mm (inch)



**M 18 x 1****5 mm (0.20")**

●/-	●/-	-
NPN	PNP	AC

KIB-M18NS/ 005-KLS12	KIB-M18PS/ 005-KLS12	-
-------------------------	-------------------------	---

693.2305.004	693.2905.004	
---------------------	---------------------	--

263/4	263/1	
-------	-------	--

●/-	●/-	-
-	-	-

M 18 x 1**8 mm (0.32")**

-/●	-/●	-
NPN	PNP	AC

KIN-M18NS/ 008-KL2	KIN-M18PS/ 008-KL2	-
-----------------------	-----------------------	---

693.2306.001	693.2906.001	
---------------------	---------------------	--

263/4	263/1	
-------	-------	--

●/-	●/-	-
-	-	-

M 18 x 1**8 mm (0.32")**

-/●	-/●	-
NPN	PNP	AC

KIN-M18NS/ 008-KLS12	KIN-M18PS/ 008-KLS12	-
-------------------------	-------------------------	---

693.2306.004	693.2906.004	
---------------------	---------------------	--

263/4	263/1	
-------	-------	--

●/-	●/-	-
-	-	-

10-36 V	10-36 V	-
-/200 mA	-/200 mA	-
500 Hz	500 Hz	-

●	●	-
●/-	●/-	-

-	-	-
---	---	---

-25 °C/+70 °C	-25 °C/+70 °C	-
-13 °F/+158 °F	-13 °F/+158 °F	-

IP 67/NEMA 4	IP 67/NEMA 4	-
--------------	--------------	---

-	-	-
---	---	---

-	-	-
---	---	---

284/285/286	284/285/286	-
-------------	-------------	---

266/6	266/6	-
-------	-------	---

10-36 V	10-36 V	-
-/200 mA	-/200 mA	-
200 Hz	200 Hz	-

●	●	-
●/-	●/-	-

-	-	-
---	---	---

-25 °C/+70 °C	-25 °C/+70 °C	-
-13 °F/+158 °F	-13 °F/+158 °F	-

IP 67/NEMA 4	IP 67/NEMA 4	-
--------------	--------------	---

-	-	-
---	---	---

PVC 3x0.5	PVC 3x0.5	-
-----------	-----------	---

-	-	-
---	---	---

266/6	266/6	-
-------	-------	---

10-36 V	10-36 V	-
-/200 mA	-/200 mA	-
200 Hz	200 Hz	-

●	●	-
●/-	●/-	-

-	-	-
---	---	---

-25 °C/+70 °C	-25 °C/+70 °C	-
-13 °F/+158 °F	-13 °F/+158 °F	-

IP 67/NEMA 4	IP 67/NEMA 4	-
--------------	--------------	---

-	-	-
---	---	---

284/285/286	284/285/286	-
-------------	-------------	---

-	-	-
---	---	---

