

Features

- Carbon loaded, antistatic glass fiber reinforced polyester
- Installation in Zone 1, Zone 2, Zone 21 and Zone 22
- Ex e, Ex ia and Ex tb certified
- 129 mm x 179 mm x 91 mm
- Modern design with high impact resistance
- Easy installation due to easily accessible mounting points
- Easy cover opening without damage due to multiple pry points
- Bottom face cable glands polyamide, 6x M20; left side cable gland polyamide, 1x M20; right side cable gland polyamide, 1x M20
- Blue marking for use with Ex i circuits

Assembly



Technical data

Electrical specifications

Operating voltage	690 V AC max.
Operating current	350 A max.

Mechanical specifications

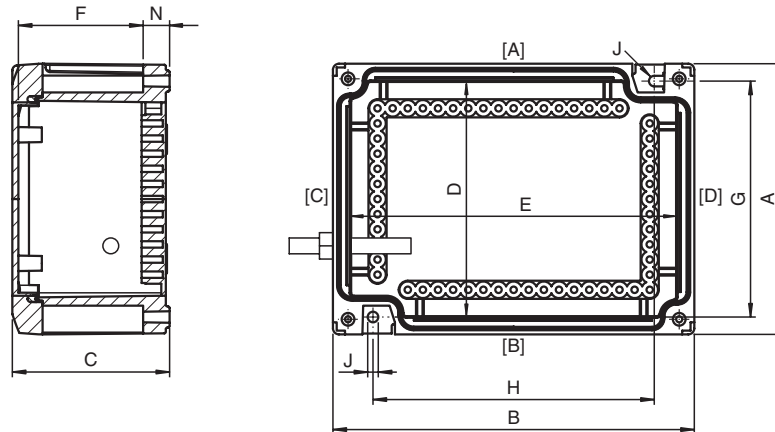
Enclosure cover	fully detachable
Cover fixing	
Screws	M6 stainless steel combination Phillips and slotted screw
Number	2
Tightening torque	3.5 Nm
Cover seal	foamed silicone
Degree of protection	IP66
Cable entry	thru-holes
Cable entry face B	
M20 quantity	6
M20 series	Cable Glands, Plastic
M20 type	CG.PIDS.M20.*
M20 clamping range	6 ... 12 mm
Cable entry face C	
M20 quantity	1
M20 series	Cable Glands, Plastic
M20 type	CG.PIDS.M20.*
M20 clamping range	6 ... 12 mm
Cable entry face D	
M20 quantity	1
M20 series	Cable Glands, Plastic
M20 type	CG.PIDS.M20.*
M20 clamping range	6 ... 12 mm

Release date 2020-02-12 09:20 Date of issue 2020-02-12 320193_eng.xml

Refer to "General Notes Relating to Pepperl+Fuchs Product Information".

Terminal assembly	
Rail orientation	horizontal
Number of horizontal rails	1
Usable length per horizontal rail	101.5 mm
Terminal type	20 x WDU 2.5 blue 2 x WPE 2.5
Terminal capacity	2.5 mm ²
Number of terminals per horizontal rail	20
Material	
Enclosure	carbon loaded, antistatic glass fiber reinforced polyester (GRP)
Finish	inherent color black
Grounding plate	2 mm brass optional
Mass	approx. 1 kg
Dimensions	
External dimension (A)	129 mm
External dimension (B)	179 mm
External dimension (C)	91.5 mm
Internal dimension (D)	106 mm
Internal dimension (E)	156 mm
Internal dimension (F)	69 mm
Mounting holes distance (G)	106 mm
Mounting holes distance (H)	126 mm
Mounting holes diameter (J)	7 mm
Thickness of mounting brackets (N)	18 mm
Mounting	2 screws
Grounding	none as standard optional M6 or M8 internal/external brass nickel-plated grounding bolt optional M6 or M8 internal/external stainless steel grounding bolt
Ambient conditions	
Ambient temperature	-60 ... 85 °C (-76 ... 185 °F)
Data for application in connection with hazardous areas	
EU-type examination certificate	CML 17 ATEX 3255X
Marking	⊕ II 2 GD Ex eb IIC T* Gb Ex ia IIC T* Gb Ex tb IIIC T** °C Db T6/T80 °C @ Ta +40 °C T5/T95 °C @ Ta +55 °C T4/T130 °C @ Ta +65 °C
International approvals	
IECEX approval	IECEX CML 17.0144X
EAC approval	RU C-DE.BH02.B.00016/18
CCoE approval	PESO A/P/HQ/KA/104/5627 (P432459)
IA approval	MASC S/18-1639X
Conformity	
Degree of protection	EN 60529
CE marking	0102
General information	
Supplementary information	EC-Type Examination Certificate, Statement of Conformity, Declaration of Conformity, Attestation of Conformity and instructions have to be observed where applicable. For information see www.pepperl-fuchs.com .
Accessories	
Optional accessories	M6 or M8 internal/external brass nickel-plated grounding bolts M6 or M8 internal/external stainless steel grounding bolts

Dimensions



Legend

A	Height
B	Width
C	Depth
D	Internal height
E	Internal width
F	Internal depth
G	Mounting holes distance, vertical
G1	Mounting holes distance to middle hole 1, vertical (not with all variants)
G2	Mounting holes distance to middle hole 2, vertical (not with all variants)
H	Mounting holes distance, horizontal
H1	Mounting holes distance to middle hole 1, horizontal (not with all variants)
H2	Mounting holes distance to middle hole 2, horizontal (not with all variants)
J	Mounting holes diameter
N	Thickness of mounting brackets
[A] ... [D]	Entry faces

Dimension values see technical data table.

The drawing is generic for this enclosure type and may deviate from the specific variant.