

## Remote Switch IK 8800, IL 8800



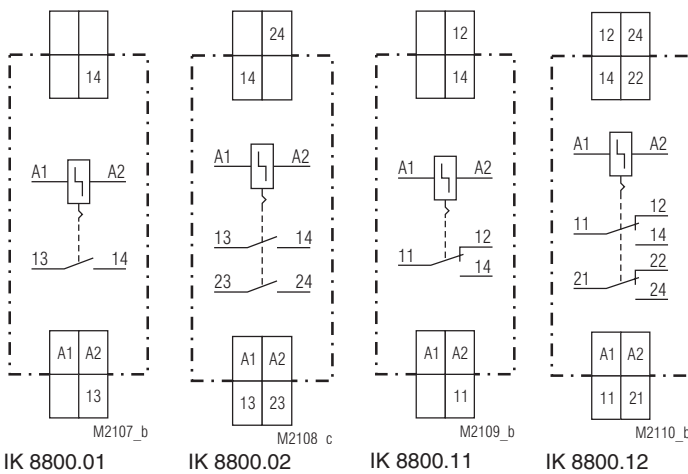
### Your Advantages

- Optionally with up to max. 4 changeover contacts
- Low energy consumption by impulse operation
- Small amount of wiring required at installations with several local push buttons

### Features

- According to IEC/EN 60 669
- Impulse operation
- Pushbutton for manual actuation of the contacts
- Operating position display
- Optionally contacts with up to a maximum of 4 changeover contacts
- Width 17.5 mm or 35 mm

### Circuit Diagram

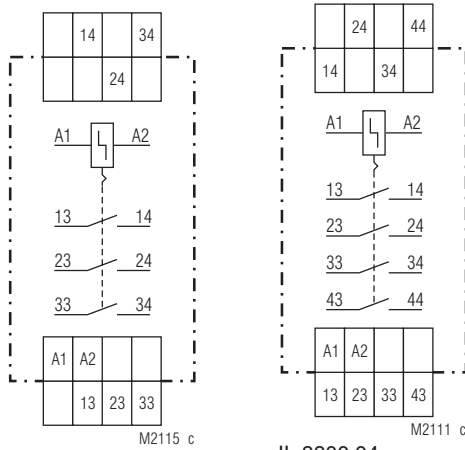


IK 8800.01

IK 8800.02

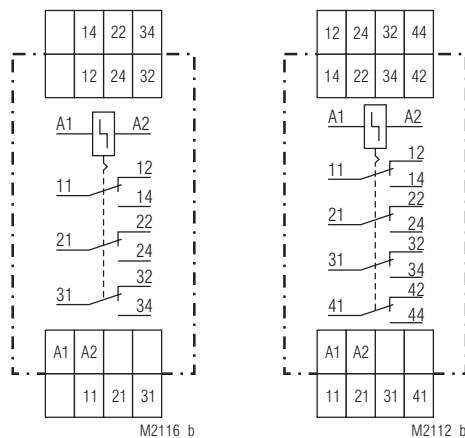
IK 8800.11

IK 8800.12



IL 8800.03

IL 8800.04



IL 8800.13

IL 8800.14

### Approvals and Markings



### Function

The contacts are actuated with every current pulse and they stay in the operating position they have adopted in each case until the next pulse occurs. It is possible to actuate the contacts manually by pressing a pushbutton provided on the unit. The contact position is shown by an indicator. The units can be installed in rows close next to each other for pulse operation. The gap between the relays is 7 mm when they are on permanently.

### Indicators

red indicator: is visible when output contacts are activated

### Connection Terminals

Terminal designation	Signal designation
A1	Control signal L resp. DC+
A2	neutral N resp. DC-
13/14, 23/24, 33/34, 43/44	NO contact LOAD
11/12/14, 21/22/24, 31/32/34, 41/42/44	C/O LOAD

## Technical Data

### Input

<b>Nominal voltage <math>U_N</math>:</b>	AC 8, 24, 42, 230 V DC 12, 24 V, other voltages on request
<b>Voltage range:</b>	0.9 ... 1.1 $U_N$
<b>Nominal consumption:</b>	1.2 contacts                      4 contacts
apparent power:	5.2 VA                              10.4 VA
actual power:	4.2 W                                8.4 W
<b>Nominal frequency:</b>	50 or 60 Hz
<b>Frequency range:</b>	± 5 %
<b>Glow lamp parallel to the pushbutton:</b>	max. 8 lamps à 0.5 mA (corresponds to 4 mA residual current)
<b>Minimum on time</b>	> 50 ms

### Output

#### Contacts

IK 8800.01:	1 NO contact
IK 8800.02:	2 NO contacts
IL 8800.03:	3 NO contacts
IL 8800.04:	4 NO contacts
IK 8800.11:	1 changeover contact
IK 8800.12:	2 changeover contacts
IL 8800.13:	3 changeover contacts
IL 8800.14:	4 changeover contacts

#### Operate time:

< 30 ms

#### Nominal output voltage:

AC 230 V / 400 V

#### Electrical life

with resistive load AC 230 V  
and 500 switching cycles / h:

6 A	150 x 10 <sup>4</sup> switching cycles
10 A	75 x 10 <sup>4</sup> switching cycles
16 A	10 x 10 <sup>4</sup> switching cycles

#### Switching capacity

##### with lamp load:

fluorescent lamp load: 20 lamps with 58 W / contact each  
with electronic series reactor: 58 lamps with 18 W / contact each  
duo circuit

(series compensated): 2 x 20 lamps with 58 W / contact each  
5 x 10<sup>4</sup> switching cycles

The starting current levels can be very high in parallel compensation configurations and when electronic ballast units are being used.

Automatic fuses must be incorporated in the circuit if necessary.

bulb load:

2 000 W  
5 x 10<sup>4</sup> switching cycles

#### Nominal switching-off capacity:

cos.  $\varphi$  1 ... 0.7, AC 230 V: 16 A

Thermal current  $I_{th}$ : 16 A

#### Permissible switching frequency:

1 000 switching cycles / h

#### Short circuit strength

max. fuse rating: 16 A gG / gL IEC/EN 60 947-5-1

Mechanical life: 3 x 10<sup>6</sup> switching cycles

## Technical Data

### General Data

**Operating mode:** Pulse operation  
in case of failure 100 % to duty cycle possible

#### Temperature range

Operation: - 20 ... + 45°C

Storage: - 25 ... + 55°C

**Altitude:** < 2.000 m

#### Clearance and creepage distances

rated impulse voltage /  
pollution degree: 4 kV / 2 IEC 60 664-1

#### EMC

Electrostatic discharge: 8 kV (air) IEC/EN 61 000-4-2

HF-Einstrahlung: 80 MHz ... 2.7 GHz: 10 V / m IEC/EN 61 000-4-3

Fast transients: 4 kV IEC/EN 61 000-4-4

Surge voltages  
between

wires for power supply: 1 kV IEC/EN 61 000-4-5

between wire and ground: 2 kV IEC/EN 61 000-4-5

HF wire guided: 10 V IEC/EN 61 000-4-6

Interference suppression: Limit value class B EN 55 011

#### Degree of protection:

Housing: IP 30 IEC/EN 60 529

Terminals: IP 20 IEC/EN 60 529

**Housing:** Thermoplastic with V0 behaviour

according to UL subject 94

**Vibration resistance:** Amplitude 0.35 mm

frequency 10 ... 55 Hz IEC/EN 60 068-2-6

Humid heat IEC/EN 60 068-2-30

**Climate resistance:** EN 50 005

**Terminal designation:** 2 x 2.5 mm<sup>2</sup> solid or

2 x 1.5 mm<sup>2</sup> stranded ferruled

DIN 46 228-1/-2/-3/-4 or

2 x 1 mm<sup>2</sup> stranded ferruled

DIN 46 228-1/-2/-3/-4

**Wire connection:** Flat terminals with self-lifting

clamping piece IEC/EN 60 999-1

0.8 Nm

DIN rail IEC/EN 60 715

**Wire fixing:**

**Fixing torque:** 0.8 Nm

**Mounting:** DIN rail IEC/EN 60 715

**Weight**

IK 8800: 110 g

IL 8800: 210 g

### Dimensions

**Width x height x depth**

IK 8800: 17.5 x 89 x 58 mm

IL 8800: 35 x 89 x 58 mm

### Standard Type

IK 8800.01 AC 230 V 50 Hz

Article number: 0009273

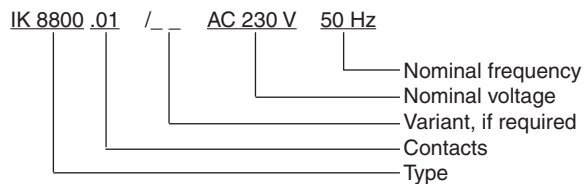
• Output: 1 NO contact

• Nominal voltage  $U_N$ : AC 230 V

• Width: 17.5 mm

### Variant

#### Ordering Example for Variant





## Safety Notes



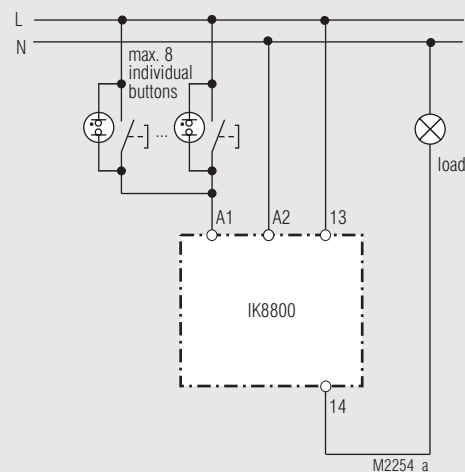
**Dangerous voltage.**  
**Electric shock will result in death or serious injury.**



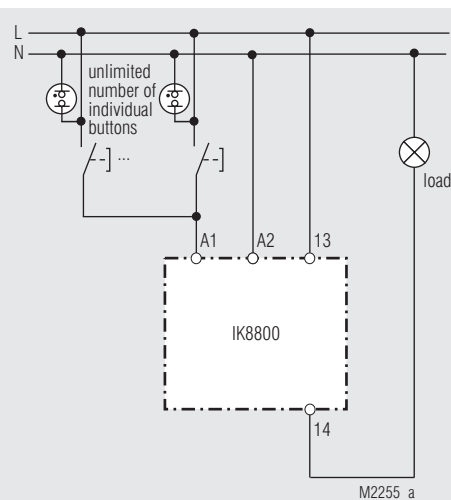
Disconnect all power supplies before servicing equipment.

- Faults must only be removed when the relay is disconnected
- The device may only be installed and put into operation by experts who are familiar with this technical documentation and the applicable health and safety and accident prevention regulations.
- The user has to make sure that the device and corresponding components are installed and wired according to the local rules and law (TUEV, VDE, Health and safety).
- Installation work must only be done when power is disconnected

## Connection Examples



This circuit can be used with up to 8 illuminated pushbuttons.



With this circuit it is possible to connect as many illuminated pushbuttons as required to a remote switch.

When low voltages are being used, the control circuit has to be disconnected from the mains system by means of a transformer. It is only possible to illuminate the pushbuttons here by providing a third control wire.

