
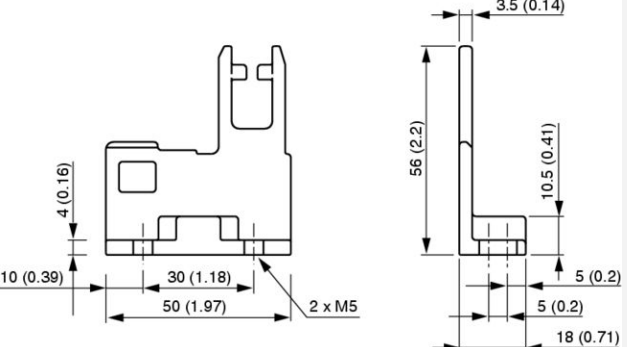
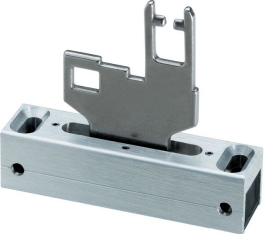
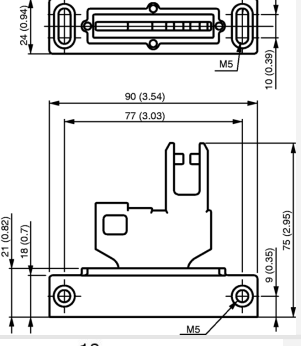

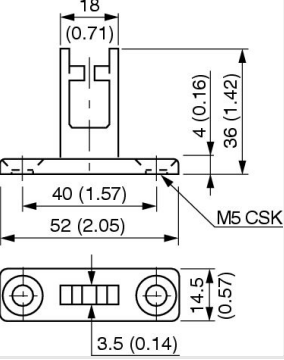

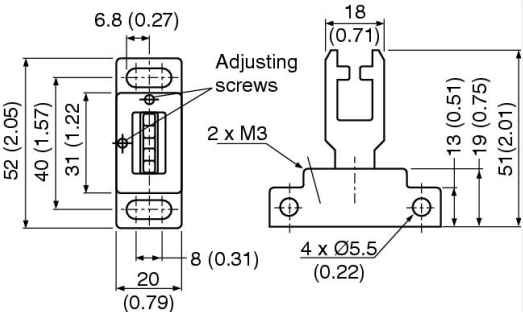

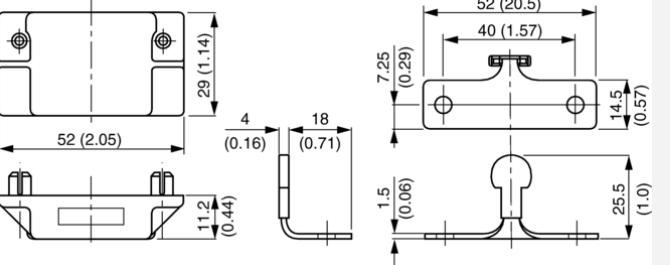


## Accessories

### Accessories for Interlock and Guard Locking Switches


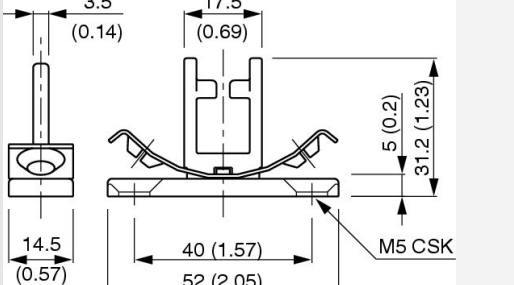

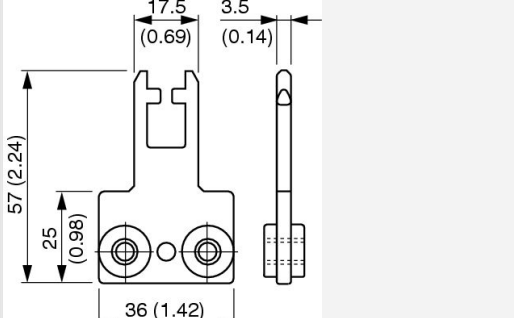

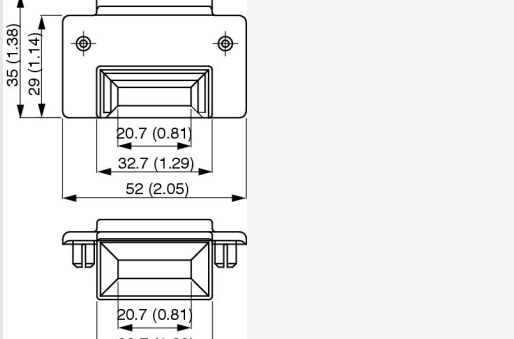

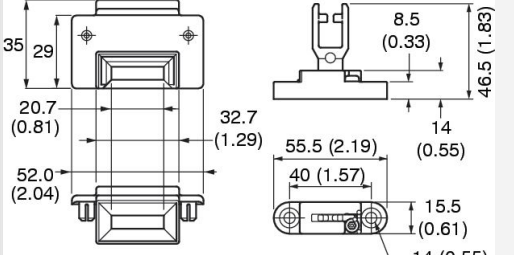
#### Actuators


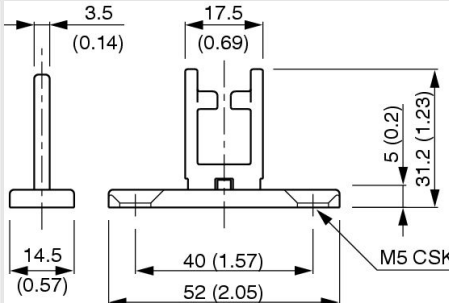

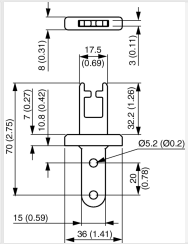
Item	Description	Approximate Dimensions [mm (in.)]	Cat. No.
	Standard actuator	 <p>Dimensions: 10 (0.39), 4 (0.16), 30 (1.18), 50 (1.97), 2 x M5, 3.5 (0.14), 56 (2.2), 10.5 (0.41), 5 (0.2), 5 (0.2), 18 (0.71)</p>	440G-A07136
	Fully flex actuator	 <p>Dimensions: 24 (0.94), 90 (3.54), 77 (3.03), 10 (0.39), M5, 21 (0.82), 18 (0.7), 8 (0.31), 75 (2.95), M5</p>	440G-A07269
	GD2 standard actuator	 <p>Dimensions: 18 (0.71), 4 (0.16), 36 (1.42), 40 (1.57), 52 (2.05), M5 CSK, 14.5 (0.57), 3.5 (0.14)</p>	440G-A27011
	Fully flex actuator	 <p>Dimensions: 52 (2.05), 40 (1.57), 31 (1.22), 6.8 (0.27), 18 (0.71), 13 (0.51), 19 (0.75), 51 (2.01), 8 (0.31), 20 (0.79), 2 x M3, 4 x Ø5.5 (0.22), Adjusting screws</p>	440G-A27143

	<p>Catch and Retainer Kit</p>		<p>440K-A11094</p>
---	-------------------------------	---	--------------------

→ See Switch Compatibility table.


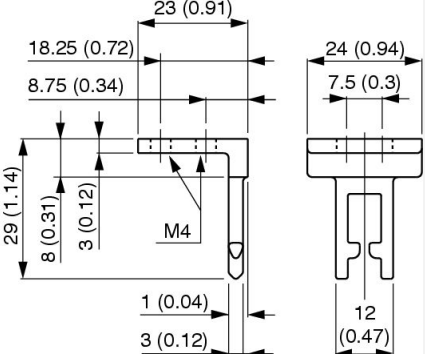

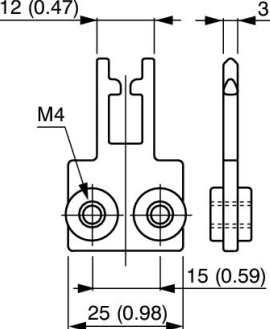

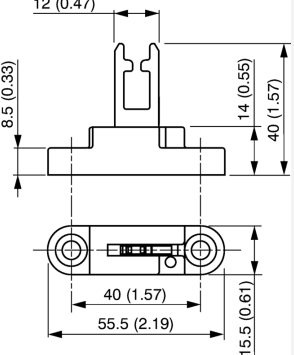
**Actuators** → (continued)


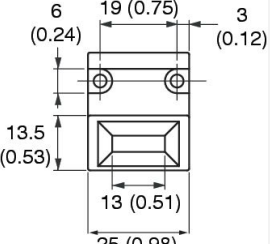
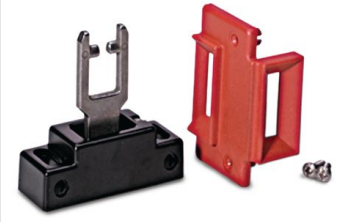
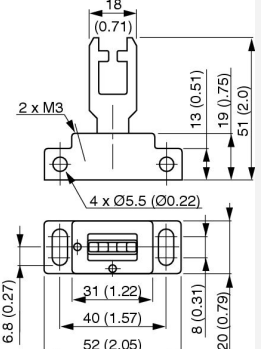
Item	Description	Approximate Dimensions [mm (in.)]	Cat. No.
	<p>Standard actuator</p>		<p>440K-A11095</p>
	<p>GD2 flat actuator</p>		<p>440K-A11112</p>
	<p>Replacement Alignment Guide</p>		<p>440K-A11115</p>
	<p>Alignment guide with semi-flexible actuator</p>		<p>440K-A11144</p>

	<p>Standard actuator</p>		<p>440K-A11238</p>
	<p>Extended flat actuator</p>		<p>440K-A17116</p>

→ See Switch Compatibility table.

**Actuators** → (continued)

Item	Description	Approximate Dimensions [mm (in.)]	Cat. No.
	<p>90° actuator, not to be used with metal alignment guide</p>		<p>440K-A21006</p>
	<p>Flat actuator, not to be used with metal alignment guide</p>		<p>440K-A21014</p>
	<p>Metal alignment guide with semi-flexible actuator</p>		<p>440K-A21030</p>

	<p>Metal Alignment Guide</p>		<p>440K-A21069</p>
	<p>Alignment guide with fully-flexible actuator</p>		<p>440K-A27010</p>

→ See Switch Compatibility table.










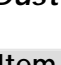




### Beacons and Bulbs

Item	Description	Cat. No.
	<p>Indicator, M20 Conduit Pilot Light—Amber Lens T-3 1/4 Insert Use T-3 1/4 Bulb (Sold Separately)</p>	<p>440A-A19001</p>
	<p>Indicator, M20 Conduit Pilot Light—Red Lens T-3 1/4 Insert Use T-3 1/4 Bulb (Sold Separately)</p>	<p>440A-A19002</p>
	<p>Indicator, 1/2 inch NPT Conduit Pilot Light—Amber Lens T-3 1/4 Insert Use T-3 1/4 Bulb (Sold Separately)</p>	<p>440A-A19005</p>
	<p>Indicator, 1/2 inch NPT Conduit Pilot Light—Red Lens T-3 1/4 Insert Use T-3 1/4 Bulb (Sold Separately)</p>	<p>440A-A19007</p>
	<p>Bulb, 24V for Conduit Pilot Light 2.8W T-3 1/4 Bulb, Miniature Screw Base</p>	<p>440A-A09056</p>
	<p>Bulb, 110V for Conduit Pilot Light 2.6W T-3 1/4 Bulb, Miniature Screw Base</p>	<p>440A-A09055</p>
	<p>Bulb, 240V for Conduit Pilot Light 0.75W T-3 1/4 Bulb, Miniature Screw Base</p>	<p>440A-A09054</p>
	<p>Red LED Bulb, 24V AC/DC for Conduit Pilot Light Bayonet Style Insert</p>	<p>800T-N319R</p>
	<p>Amber LED Bulb, 24V AC/DC for Conduit Pilot Light Bayonet Style Insert</p>	<p>800T-N319A</p>
	<p>Red LED Bulb, 120V AC for Conduit Pilot Light Bayonet Style Insert</p>	<p>800T-N320R</p>
	<p>Amber LED Bulb, 120V AC for Conduit Pilot Light Bayonet Style Insert</p>	<p>800T-N320A</p>




### Conduit Accessories


Item	Description	Cat. No.
	Blanking plug, M20 conduit	440A-A07265
	Cable Grip, M16 Conduit, Accommodates Cable Diameter 4...7 mm (0.27...0.16 in.)	440A-A09004
	Cable grip, M20 conduit, accommodates cable diameter 7...10.5 mm (0.27...0.41 in.)	440A-A09028
	Adaptor, conduit, M20 to 1/2 inch NPT, plastic	440A-A09042
	Adaptor, Conduit, 1/2 inch NPT to M16, Brass	440A-A09093
	Adaptor, Conduit, M16 to 1/2 inch NPT, Brass	440A-A09094

## Replacement Covers

Item	Description	Cat. No.
	Elf™	440A-A33085
	Cadet™	440A-A21115
	Trojan T15	440A-A11499
	Trojan 5 Standard Models Only	440A-A11495
	Trojan T5 GD2	440A-A11496
	Trojan T6 Standard Models Only	440A-A11497
	Trojan T6 GD2	440A-A11498
	440G-MT No LED, No Override	440G-MT47120
	440G-MT LED and Override	440G-MT47123
	Cover for TLS-1 with external override key for series D and earlier	440G-A27140
	Cover for TLS-3 with external override key for series D and earlier	440G-A27142
	Cover for TLS-1 with override key attached for series D and earlier	440G-A27207
	Cover for TLS-3 with override key attached for series D and earlier	440G-A27208
	Atlas Replacement End Cap	440G-A07180

## Dust Covers

Item	Applicable Switch	Cat. No.
	Elf Cadet	440K-A17182
	Trojan T15, T5, and T6 All Models MT G2 440G-MT	440K-A17180
	TLS-GD2	440K-A17183

	Atlas 5	440K-A17181
---	---------	-------------


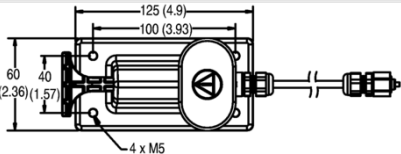

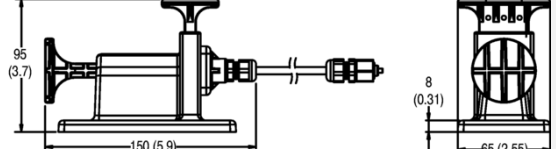
### Emergency Override

Item	Description	Cat. No.
	TLS-GD2/440G-MT Solenoid Emergency Override (See Warning below.)	440G-A36026





**WARNING:** Do not attach the Emergency Override Key to the TLS-GD2/440G-MT switch.

### Flex Release

Item	Description	Approximate Dimensions [mm (in.)]	Cat. No.
	Flexible Release—1 m (3.28 ft) Cable		440G-A27356
	Flexible Release—3 m (9.84 ft) Cable		440G-A27357

### Tools

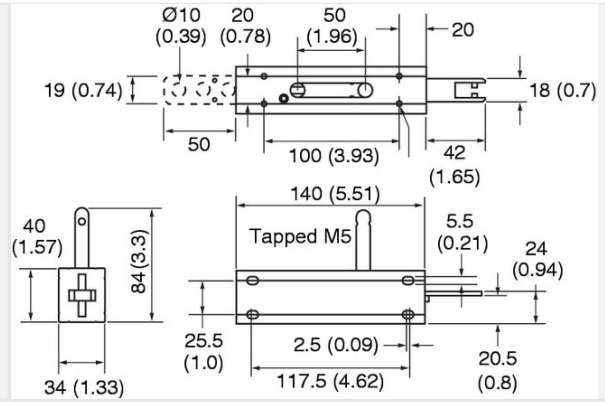
Item	Description	Cat. No.
	Security Bit	440A-A09015
	Screwdriver including security bit	440A-A09018

### Door Handles

Item	Description	Dimensions [mm (in.)]	Cat. No.
------	-------------	-----------------------	----------



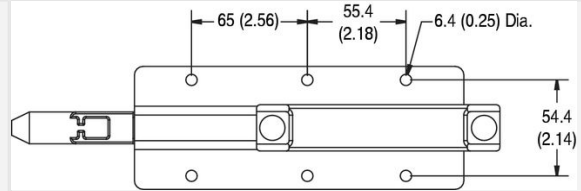
Sliding bolt actuator



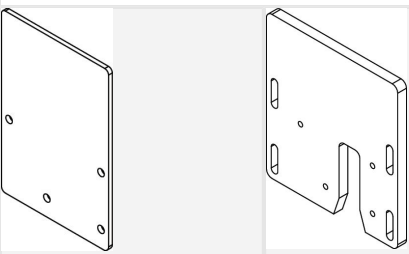
440G-A27163



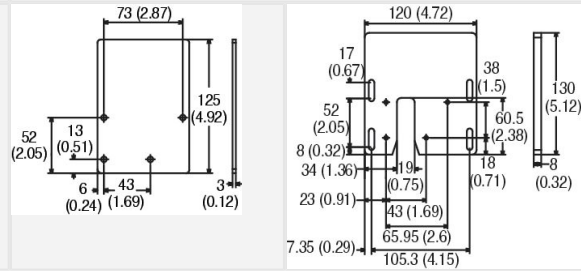
Sliding Bolt



440K-AMDS



Sliding Bolt Mounting Plate for TLS-GD2



440K-AMDSSMPB