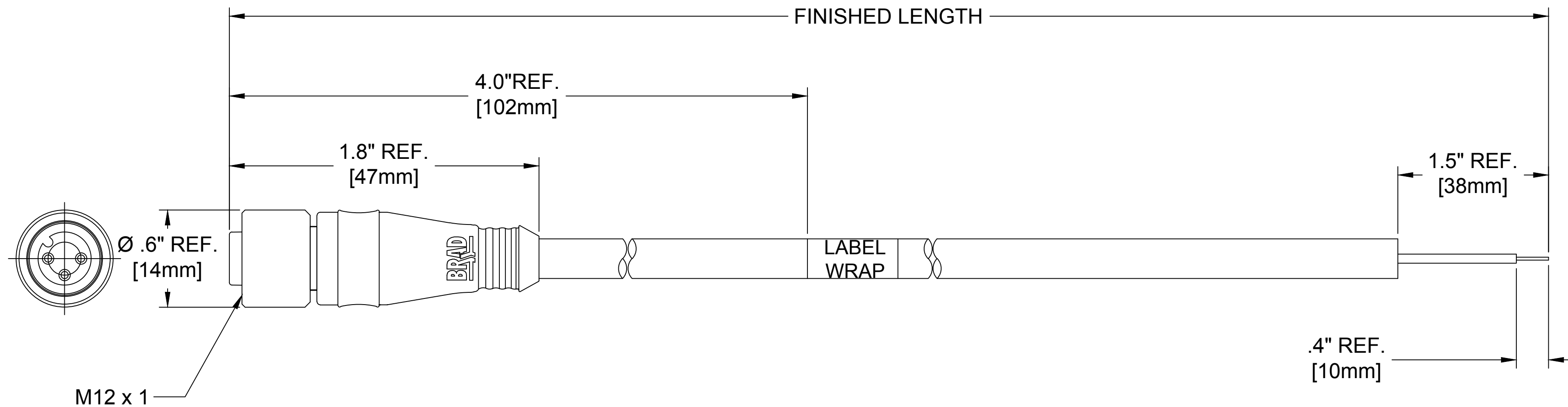
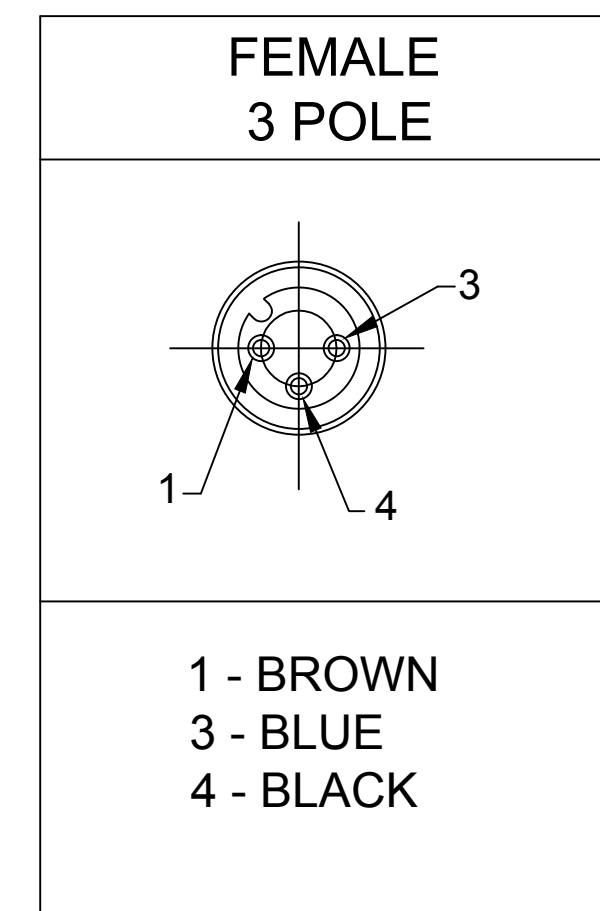


MATERIAL NUMBER	OLD PART NUMBER	FINISHED LENGTH
1200650128	803000A09M010	1M +55.6mm -0 [3.3FT. +2.2IN -0]
1200650139	803000A09M050	5M +55.6mm -0 [16.4FT. +2.2IN -0]
1200650148	803000A09M100	10M +55.6mm -0 [32.8FT. +2.2IN -0]



**803000A09M010**

cable type #22/3C AWG PVC YELLOW  
 cable length 010----1 Meters 100----10 Meters



**SPECIFICATION DATA**

COMPONENT	MATERIAL	FINISH
LABEL	MYLAR	BLACK/YELLOW
COUPLER	BRASS	NICKEL PLATED
CONTACT	COPPER ALLOY	Au OVER Ni
INSERT	PUR	BLACK
OVERMOLD	PVC	YELLOW
CABLE #22/3C	PVC	YELLOW
VOLTAGE RATING:	250V	
AMPERAGE RATING:	4A	
PROTECTION CLASS:	IP 67	
OPERATING TEMPERATURE:	-20°C / 80°C	

RELEASED EC NO: IFC2014-0948 DRWN: GGUSTAFS 2013/11/20 CH'KD: TWOLDEGE APPR: BWOODMAN2013/12/02	DESCRIPTION A	QUALITY SYMBOL	GENERAL TOLERANCES (UNLESS SPECIFIED) <table border="1"> <thead> <tr> <th></th> <th>mm</th> <th>INCH</th> </tr> </thead> <tbody> <tr> <td>4 PLACES</td> <td>±---</td> <td>±---</td> </tr> <tr> <td>3 PLACES</td> <td>±---</td> <td>±.005</td> </tr> <tr> <td>2 PLACES</td> <td>±.13</td> <td>±.010</td> </tr> <tr> <td>1 PLACE</td> <td>±.25</td> <td>±.020</td> </tr> </tbody> </table>		mm	INCH	4 PLACES	±---	±---	3 PLACES	±---	±.005	2 PLACES	±.13	±.010	1 PLACE	±.25	±.020	DIMENSION STYLE	SCALE	DESIGN UNITS	THIRD ANGLE PROJECTION
				mm	INCH																	
		4 PLACES		±---	±---																	
		3 PLACES		±---	±.005																	
2 PLACES	±.13	±.010																				
1 PLACE	±.25	±.020																				
	IN/MM	NTS	INCH																			
	DRAWN BY DATE	TITLE																				
	CHECKED BY DATE	MICRO CHANGE 3 POLE FP #22/3C AWG YELLOW PVC																				
	APPROVED BY DATE	MOLEX INCORPORATED																				
	MATERIAL NO.	DOCUMENT NO.																				
	SEE CHART	SD-120065-067																				
	SIZE C	SHEET NO. 1 OF 1																				
THIS DRAWING CONTAINS INFORMATION THAT IS PROPRIETARY TO MOLEX INCORPORATED AND SHOULD NOT BE USED WITHOUT WRITTEN PERMISSION																						