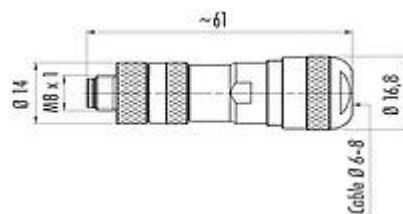


Product description	M8 Male cable connector, Contacts: 4, 6.0-8.0 mm, shieldable, screw clamp, IP67, UL
Area	M8 series 768
Part no.	99 3363 300 04

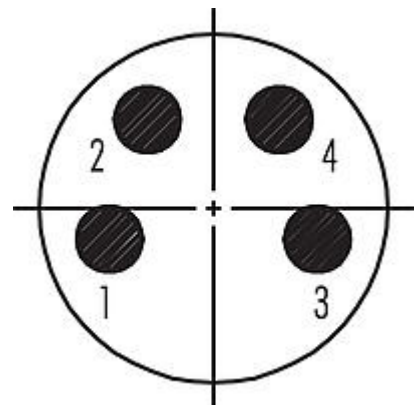
Illustration



Scale drawing



Contact arrangement (Plug-in side)



You can find the component part drawing and assembly instructions on the next page.

Technical data

General features

Part no.	99 3363 300 04
Connector design	Male cable connector
Version	Connector pin straight
Connector locking system	screw
Termination	screw clamp
Degree of protection	IP67
Cross-sectional area	0.14-0.50 mm ² / AWG 26-20
Cable outlet	6.0-8.0 mm
Temperature range from/to	-40 °C / 85 °C
Mechanical operation	> 100 Mating cycles
Weight (g)	31.65
Customs tariff number	85369010

Electrical parameters

Rated voltage	60 V
Rated impulse voltage	1500 V
Rated current (40 °C)	4.0 A
Pollution degree	3
Overvoltage category	III
Insulating material group	II

Product data sheet

Automation technology - sensors and actuators

Product description	M8 Male cable connector, Contacts: 4, 6.0-8.0 mm, shieldable, screw clamp, IP67, UL
Area	M8 series 768
Part no.	99 3363 300 04

EMC compliance	shieldable
Shield connection	Shielding ring

Material

Housing material	CuZn (Brass nickel plated)
Contact body material	PA66 (UL94 HB)
Contact material	CuZn (brass)
Contact plating	Au (gold)
Locking material	CuZn (brass)
REACH SVHC	CAS 96-45-7 (Imidazolidine-2-thione) CAS 7439-92-1 (Lead)
SCIP number	fad01edf-8676-416a-ac16-2fceb784eb57

Authorization/approvals

Approvals	UL
-----------	----

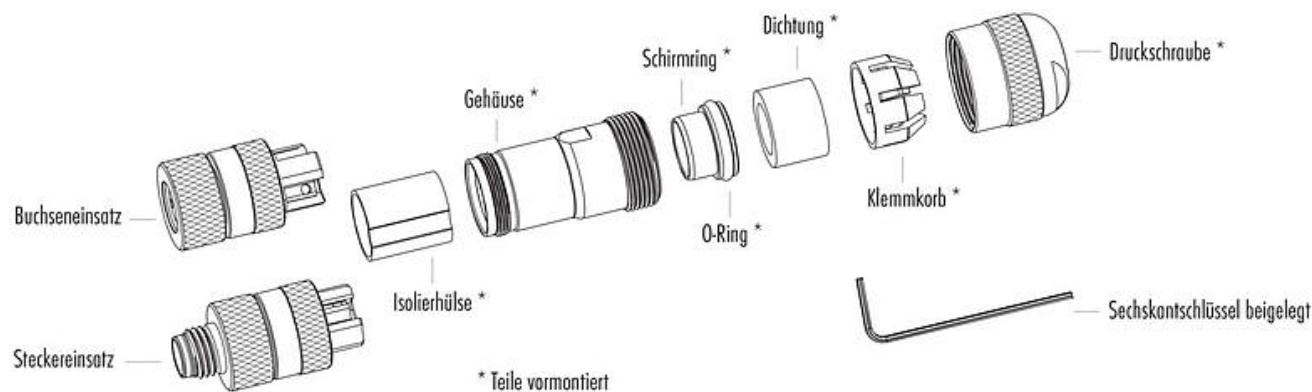
Classifications

eCl@ss 11.1	27-44-01-02
ETIM 7.0	EC002635

Declarations of conformity

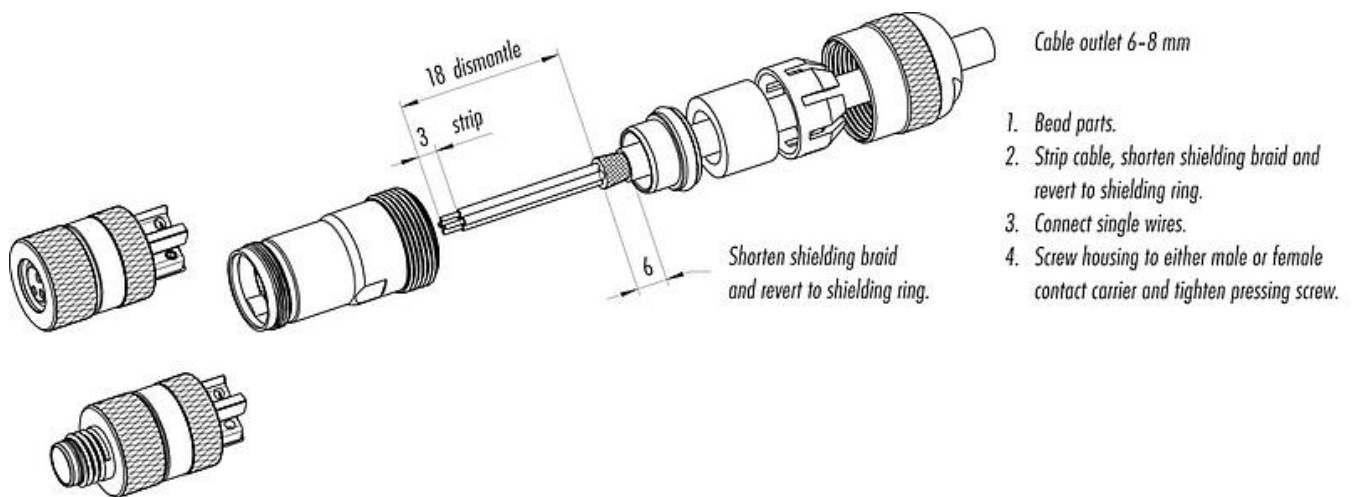
Low Voltage Directive	2014/35/EU (EN 60204-1:2018;EN 60529:1991)
-----------------------	--

Component part drawing



Product description	M8 Male cable connector, Contacts: 4, 6.0-8.0 mm, shieldable, screw clamp, IP67, UL
Area	M8 series 768
Part no.	99 3363 300 04

Assembly instructions



Product description	M8 Male cable connector, Contacts: 4, 6.0-8.0 mm, shieldable, screw clamp, IP67, UL
Area	M8 series 768
Part no.	99 3363 300 04

Security notices

The connectors have been developed for applications in plant engineering, control and electrical equipment construction. The user is responsible for checking whether the connectors can also be used in other areas of application.

Plug connectors with enclosure protection IP67 and IP68 are not suitable for use under water. When used outdoors, the plug connectors must be protected separately against corrosion. For further information on the IP protection classes, please refer to the "Technical Information" download centre.

To lock the cable connector with the device connector, the threaded ring is tightened "hand-tight" (approx. 50 cNm).