



rotary operating mechanism, actuating lever black, for four-hole Front mounting, accessory for main and emergency switching-off switch 3LD2 for 63A - 125A and for molded case switch 3LD UL for 30A

Model		
product brand name	SENTRON	
product designation	Rotary operators	
design of the product	accessories for 3LD2 main and EMERGENCY-STOP switches	
degree of protection NEMA rating	1, 3R, 4X, 12	
suitability for use		
<ul style="list-style-type: none"> • switch disconnecter 	Yes	
<ul style="list-style-type: none"> • circuit breaker 	No	
<ul style="list-style-type: none"> • EMERGENCY OFF switch 	No	
color	black	
<ul style="list-style-type: none"> • of the actuating element 	black	
<ul style="list-style-type: none"> • Product component with axis 	No	
<ul style="list-style-type: none"> • product component restart inhibit function block 	No	
<ul style="list-style-type: none"> • product component padlock locking mechanism 	No	
<ul style="list-style-type: none"> • product component key lock 	No	
accessories		
hasp thickness of the bracket locks	4 ... 8 mm	
General Product Approval	other	Environment

[Confirmation](#)



[Confirmation](#)

[Miscellaneous](#)

[Environmental Confirmations](#)

Further information

Siemens has decided to exit the Russian market (see here).

<https://press.siemens.com/global/en/pressrelease/siemens-wind-down-russian-business>

Siemens is working on the renewal of the current EAC certificates.

Please contact your local Siemens office on the status of validity of the EAC certification if you intend to import or offer to supply these products to an EAC relevant market (other than the sanctioned EAEU member states Russia or Belarus).

Information on the packaging

<https://support.industry.siemens.com/cs/ww/en/view/109813875>

Information- and Downloadcenter (Catalogs, Brochures,...)

<http://www.siemens.com/lowvoltage/catalogs>

Industry Mall (Online ordering system)

<https://mall.industry.siemens.com/mall/en/en/Catalog/product?mlfb=3LD9284-1B>

Service&Support (Manuals, Certificates, Characteristics, FAQs,...)

<https://support.industry.siemens.com/cs/ww/en/ps/3LD9284-1B>

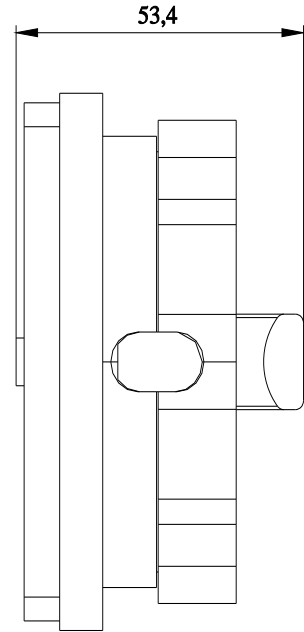
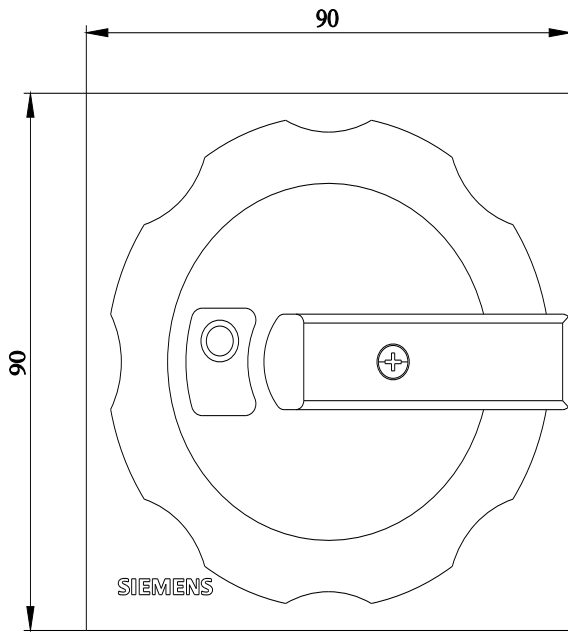
Image database (product images, 2D dimension drawings, 3D models, device circuit diagrams, ...)

http://www.automation.siemens.com/bilddb/cax_en.aspx?mlfb=3LD9284-1B

CAX-Online-Generator

<http://www.siemens.com/cax>

Tender specifications



last modified:

6/18/2023 

