

### SERVO MOTOR 190U3D300JACAA215320



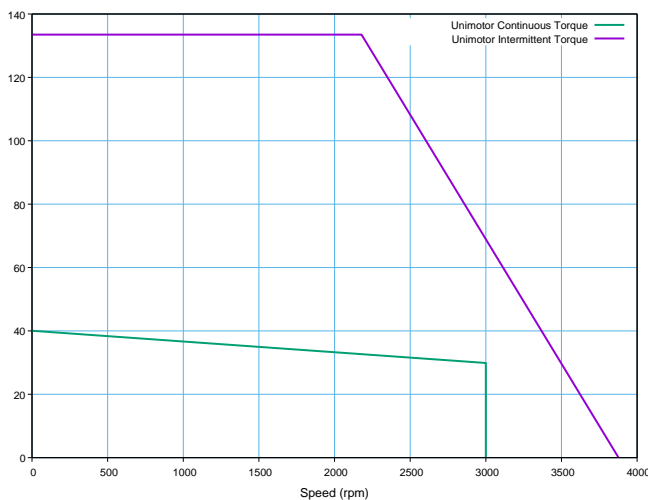
#### Definition

Type	<b>Unimotor FM</b>	
Frame Size (mm)	<b>190</b>	
Voltage	<b>U</b>	U - 400V
Magnet type	<b>3</b>	3 - Standard
Frame Length	<b>D</b>	
Speed (min-1)	<b>30</b>	3000
Brake	<b>0</b>	Unbraked (0)
Connection type	<b>J</b>	J - Power and Signal 90° rotatable - Size 1.5
Output shaft	<b>A</b>	with key
Feedback device code	<b>CA</b>	CA - 4096 ppr Incremental encoder (CFS50)
Inertia & thermistor	<b>A</b>	A - Standard + PTC thermistor
PCD	<b>215</b>	215 (FF 215 / 180)
Shaft Diameter	<b>320</b>	32k6 x 58.0 .
Fan box	<b>-</b>	
Insulation class	<b>F</b>	
UL Motor / UL Stator	<b>UL Motor / UL Stator</b>	

#### Nominal characteristics

Motor Ambient Temperature (°C)	40	Drive Fsw (kHz)	12
Motor Stall Torque (N.m)	44.50	Stall Current (A)	27.80
Rated Torque (N.m)	33.20	Rated Current (A)	20.8
Motor Peak Torque (N.m)	133.50		
Rated Power (kW)	10.43	Kt (Nm/A)	1.60
Winding Thermal Time Constant (s)	216	Ke (V/kmin-1)	98.00
Number of Poles	8	R (ph-ph) (Ohm)	0.22
Maximum Cogging (N.m)	0.54	L (ph-ph) (mH)	4.89
Inertia (kg.cm <sup>2</sup> )	86.80	Product mass	29.33
Ingress Protection Level (IP)	IP65		

#### Torque / speed graph

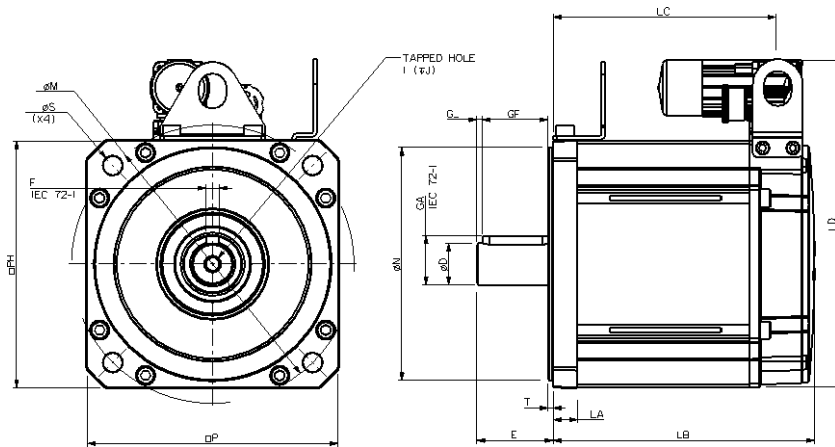


#### Configured characteristics

Motor Ambient Temperature (°C)	40
Drive Fsw (kHz)	8
Derating Factor	0.90
Stall Torque with Derating Factor (N.m)	40.05
Nominal Torque after Derating (N.m)	29.88
Peak Torque with Derating Factor (N.m)	133.50

### SERVO MOTOR 190U3D300JACAA215320 - Unimotor FM 190U3D300JACAA215320

#### Motor (° & mm)

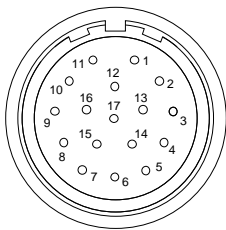


LB	Total length	289.40
LB1	length with hybrid box	239.30
LC	Power connector position	259.60
LJ	Hybrid box position	239.30
LA	Flange thickness	18.5
T	Register Length	3.9
N	Register Diameter	180.0
LD	Power connector overall height	252.50
LD1	Signal connector overall height	231.50
P	Flange Square	190.3
S	Fixing Hole Diameter	14.5
M	Fixing hole PCD	215
PH	Motor Housing Width	190
D	Shaft Diameter	32k6
E	Shaft Length	58.0
GA	Key Height	35.0
GF	Key Length	50.0
G	Key to Shaft End	4.6
F	Key Width	10
I	Tapped Hole Thread Size	M12x1,75
J	Tapped Hole Depth	29.0
	Mounting Bolt	M12

#### Motor electrical interface

Feedback device code : CA - 4096 ppr Incremental encoder (CFS50)

Connection type : J - Power and Signal 90° rotatable - Size 1.5  
 Conductors size : 4G6 (D)



- |           |            |
|-----------|------------|
| 1 - CTP   | 10 - A     |
| 2 - CTP   | 11 - Z     |
| 3 - -     | 12 - Z_inv |
| 4 - U     | 13 - A_inv |
| 5 - U_inv | 14 - B     |
| 6 - V     | 15 - B_inv |
| 7 - V_inv | 16 - Power |
| 8 - W     | 17 - 0V    |
| 9 - W_inv | Screen     |

