

SENTRON, Switch disconnecter 3LD, main switch, 3-pole, Iu: 125 A, Operating power / at AC-23 A at 400 V: 45 kW, front-mounted, rotary operating mechanism, black, 4-hole mounting of the handle



Model	
Product brand name	SENTRON
Product designation	3LD Switch disconnecter
Design of the product	Main switch
Display version / for switch position indicator manual operation	1 ON - 0 OFF
Design of the operating mechanism	Short rotary knob
Design of handle	rotary operating mechanism, black
Type of the driving mechanism / motor drive	No
General technical data	
Number of poles	3
Type of device	fixed mounting
Type of switch	front mounted
Size of switch disconnecter	4
Operating frequency / maximum	50 1/h
Voltage	
Insulation voltage / rated value	690 V
Surge voltage resistance / rated value	6 kV

Protection class	
<b>Protection class IP</b>	IP65
Protection class IP / on the front	IP65

Dissipation	
<b>Power loss [W]</b>	12 W
<ul style="list-style-type: none"> <li>for rated value of the current / at AC / in hot operating state / per pole</li> </ul>	

Electricity	
Current / at AC / rated value	125 A
Continuous current / rated value	125 A
Short-time current resistance (I <sub>cw</sub> ) / at 690 V / limited to 1 s / rated value	2 000 A

Main circuit	
<b>Operating frequency</b>	
<ul style="list-style-type: none"> <li>initial value</li> </ul>	50 Hz
<ul style="list-style-type: none"> <li>Full-scale value</li> </ul>	60 Hz
<b>Operating power</b>	
<ul style="list-style-type: none"> <li>at AC-23 A / at 400 V / rated value</li> </ul>	45 kW
<ul style="list-style-type: none"> <li>at AC-23 A / at 690 V / rated value</li> </ul>	37 kW
<ul style="list-style-type: none"> <li>at AC-3 / at 400 V / rated value</li> </ul>	37 kW
<ul style="list-style-type: none"> <li>at AC-3 / at 690 V / rated value</li> </ul>	30 kW
<b>Operating voltage</b>	
<ul style="list-style-type: none"> <li>at AC / at 50/60 Hz / rated value</li> </ul>	690 V

Auxiliary circuit	
<b>Operating voltage / of auxiliary contacts / at AC / maximum</b>	500 V
<b>Continuous current / of the auxiliary contact / rated value</b>	10 A
<b>Insulation voltage / of the auxiliary switch / rated value</b>	500 V

Suitability	
<b>Suitability for use</b>	
<ul style="list-style-type: none"> <li>Main switch</li> </ul>	Yes
<ul style="list-style-type: none"> <li>switch disconnecter</li> </ul>	Yes
<ul style="list-style-type: none"> <li>EMERGENCY OFF switch</li> </ul>	No
<ul style="list-style-type: none"> <li>safety switch</li> </ul>	Yes
<ul style="list-style-type: none"> <li>maintenance/repair switch</li> </ul>	Yes

Product details	
Product feature / interlock	Yes
Product extension / optional	
<ul style="list-style-type: none"> <li>motor drive</li> </ul>	No

• Voltage trigger	No
Short-time current resistance (I <sub>cw</sub> ) / limited to 1 s / rated value	2 000 A

### Connections

<b>Type of electrical connection</b>	Box terminal connection terminals
• for main current circuit	
• for auxiliary contacts	

### Requirements

<b>Design of the fuse link</b>	
• for short-circuit protection of the main circuit / required	fuse gL/gG: 125 A
• for short-circuit protection of the auxiliary switch / required	fuse gL/gG: 10 A

### Mechanical Design

<b>Height</b>	106 mm
<b>Width</b>	90 mm
<b>Depth</b>	112.5 mm
<b>Mounting type</b>	Built-in unit fixed-mounted version
<b>Mounting type</b>	
• front mounting with 4-hole attachment	Yes
• front mounting with central attachment	No
• rail mounting	No
<b>Net weight</b>	490 g

### Certificates

• Reference identifier / acc. to DIN EN 61346-2	S
• Reference identifier / acc. to DIN EN 81346-2	SF

<b>General Product Approval</b>	<b>Declaration of Conformity</b>
---------------------------------	----------------------------------



[Miscellaneous](#)



<b>Test Certificates</b>	<b>Shipping Approval</b>	<b>other</b>
--------------------------	--------------------------	--------------

[Special Test Certificate](#)



LRS

[Environmental Confirmations](#)

### Further information

**Information- and Downloadcenter (Catalogs, Brochures,...)**

<http://www.siemens.com/lowvoltage/catalogs>

**Industry Mall (Online ordering system)**

<https://mall.industry.siemens.com/mall/en/en/Catalog/product?mlfb=3LD2804-0TK51>

**Service&Support (Manuals, Certificates, Characteristics, FAQs,...)**

<https://support.industry.siemens.com/cs/ww/en/ps/3LD2804-0TK51>

**Image database (product images, 2D dimension drawings, 3D models, device circuit diagrams, ...)**

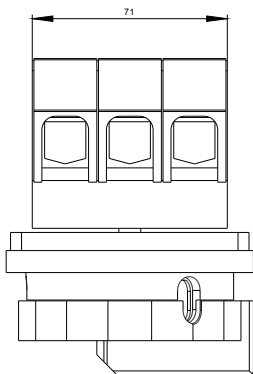
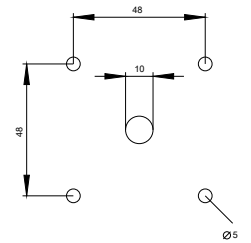
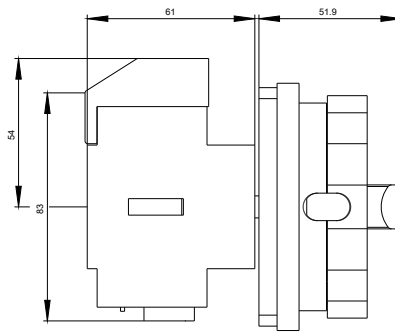
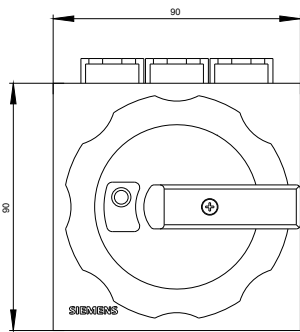
[http://www.automation.siemens.com/bilddb/cax\\_en.aspx?mlfb=3LD2804-0TK51](http://www.automation.siemens.com/bilddb/cax_en.aspx?mlfb=3LD2804-0TK51)

**CAX-Online-Generator**

<http://www.siemens.com/cax>

**Tender specifications**

<http://www.siemens.com/specifications>



**-Q1**

