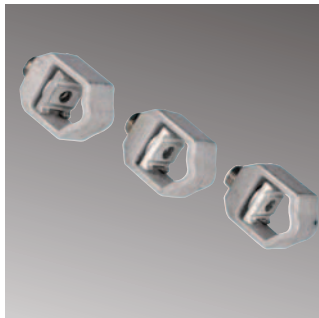


## One Source

**Insulator**



**Clamps for devices**



**Fuse monitoring for  
NH Fuse-Bases or Fuse-Rails**



**Solid links**



# Content

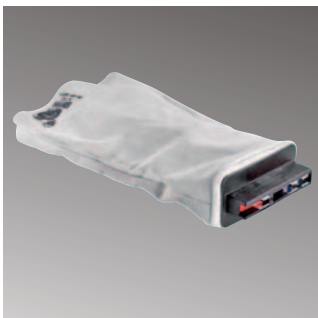
NH Replacement Handles	192
NH Solid-Links	192
Fuse-Monitoring with strikers	192
Fuse-Monitoring by Elegard	193
Nuts	193
Terminal Clamps for NH Switches	193
Feeding Clamps for busbars	194
Feeding devices for NH Fuse-Switches, horizontal design	195
Busbar supports	196
Current metering	196
Cable Clamp	196
Insulators	197
Technical data	see page 198



## Features

The wide range of accessories for NH Fuse-Links and Fuse-Switches is compatible with all EFEN products. Whether it is specific components, special installation material or different possibilities for fuse monitoring – EFEN has it all.

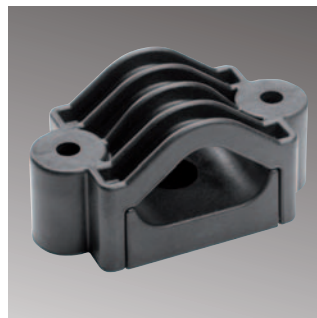
NH replacement handles



Feeding devices for NH Fuse-Switches, horizontal design, series NT-IN and NT-SILAS



Cable clamp



## NH Accessories

For more information  
see page **198**



### NH Replacement-Handles acc. to VDE 0636 T 201, IEC 60269-2-1 for NH Fuse-Links and solid-links

**Properties:**

- acc. To VDE 0636 T 201, IEC 60269-2-1
- For NH Fuse-Links and solid-links

Description	Size	Amps	Type	Order-No.	PU	PG	Sur. Ag	Sur. Cu	Price €/pc.
With leather cuff, total length 352 mm	00-4			<b>36022.0010</b>	3	NZ 2			50,70
With hand protection, without cuff	00-4			<b>36020.0010</b>	10	NZ 2			15,50
Special version for NH Fuse-links with 120 mm distance between gripping lugs, 1500 V	3L			<b>36018.0010</b>	4	NZ 2			35,20

36022.0010



### Solid-Links-Size 00-4a, Live metal gripping lugs

**Properties:**

- Live metal gripping lugs

Description	Size	Amps	Type	Order-No.	PU	PG	Sur. Ag	Sur. Cu	Price €/pc.
NH Solid-Links	00	160		<b>36008.0010</b>	15	NZ 1	0,003	0,005	7,30
NH Solid-Links	00	250		<b>36115.0010</b>	15	NZ 1	0,003	0,005	11,40
NH Solid-Links	0	160		<b>36009.0010</b>	10	NZ 1	0,004	0,010	13,50
NH Solid-Links	1	250		<b>36010.0010</b>	9	NZ 1	0,005	0,015	11,40
NH Solid-Links	2	400		<b>36011.0010</b>	6	NZ 1	0,006	0,020	12,40
NH Solid-Links	3	630		<b>36012.0010</b>	6	NZ 1	0,006	0,020	14,50
NH Solid-Links	3	1000		<b>36012.0020</b>	6	NZ 1	0,006	0,020	24,80
NH Solid-Links	4	1250		<b>36013.0010</b>	10	NZ 1	0,011	0,077	66,20
NH Solid-Links	4a	1600		<b>36014.0010</b>	6	NZ 1	0,011	0,077	48,70

36008.0010



### Solid-Links-Size 00-4a, Dead metal gripping lugs

**Properties:**

- Dead metal gripping lugs

Description	Size	Amps	Type	Order-No.	PU	PG	Sur. Ag	Sur. Cu	Price €/pc.
NH Solid-Links, dead metal gripping lug	00	160		<b>36139.0010</b>	12	NZ 1	0,003	0,005	13,50
NH Solid-Links, dead metal gripping lug	0	160		<b>36140.0010</b>	6	NZ 1	0,004	0,010	14,50
NH Solid-Links, dead metal gripping lug	1	250		<b>36141.0010</b>	12	NZ 1	0,005	0,015	14,50
NH Solid-Links, dead metal gripping lug	2	400		<b>36142.0010</b>	6	NZ 1	0,006	0,020	17,60
NH Solid-Links, dead metal gripping lug	3	630		<b>36143.0010</b>	6	NZ 1	0,006	0,020	22,80
NH Solid-Links, dead metal gripping lug	3	1000		<b>36144.0010</b>	6	NZ 1	0,006	0,020	39,30
NH Solid-Links, dead metal gripping lug	3L	1000		<b>36015.0020</b>	10	NZ 1	0,006	0,020	94,20

36139.0010



### Striker-Bases

Description	Order-No.	PU	PG	Sur. Ag	Sur. Cu	Price €/pc.
690 V	<b>33087.0010</b>	5	NZ 2		0,003	31,10
1000 V	<b>33088.0010</b>	5	NZ 2		0,003	29,00
1200 V	<b>33089.0010</b>	4	NZ 2		0,003	33,10
1500 V	<b>33090.0010</b>	4	NZ 2		0,003	36,20
2000 V	<b>33091.0010</b>	4	NZ 2		0,003	33,10

33087.0010

## NH Accessories

 For more information  
see page 198


36000.0010

**Strikers**

Description	Order-No.	PU	PG	Sur. Ag	Sur. Cu	Price €/pc.
690 V	<b>36000.0010</b>	12	NZ 2			15,50
1000 V	<b>36001.0010</b>	12	NZ 2			18,60
2000 V	<b>36002.0010</b>	16	NZ 2			38,30
1500 V	<b>36003.0010</b>	15	NZ 2			35,20
1200 V	<b>36007.0010</b>	25	NZ 2			35,20
Striker 690 V / >=2 V	<b>36031.0020</b>	12	NZ 2			17,60



36031.0010

**Elegard**

Description	Order-No.	PU	PG	Sur. Ag	Sur. Cu	Price €/pc.
Holder	<b>36030.0000</b>	4	NZ 2			25,00
Striker (Elegard)	<b>36031.0010</b>	12	NZ 2			16,60
Striker 690 V / >=2 V	<b>36031.0020</b>	12	NZ 2			17,60



85195.0100

**Inserted Screw Nuts**

Description	Order-No.	PU	PG	Sur. Ag	Sur. Cu	Price €/pc.
M6	<b>85195.0100</b>	1	netto			0,70
M8	<b>85133.0100</b>	1	netto			0,60
M10	<b>85130.0100</b>	1	netto			0,70
M12	<b>85131.0100</b>	1	netto			0,80
M16	<b>85402.0100</b>	1	netto			2,20



36299.0010

**Direct Connection Clamps for NH Fuse-Switches**

Description	Type	Order-No.	PU	PG	Sur. Ag	Sur. Cu	Price €/pc.
Insulating cap V2N	1-2-3 R2000, NTSL	<b>31516.0100</b>	1	netto			1,15
Insulating cap V2 MD		<b>31607.0100</b>	1	netto			1,10
PEN connection with lug 2 x 50-185 mm <sup>2</sup> sm		<b>36025.0050</b>	1	NZ 4			41,00
V-clamb 35 - 185 mm <sup>2</sup> sm, 70 - 240 mm <sup>2</sup> se (1 Set = 3 pcs.)		<b>36025.0060</b>	1	NZ 4			11,50
Claw clamp M12 for 50 - 150 mm <sup>2</sup> se (1 Set = 3 pcs.)	1-2-3 R2000, NTSL	<b>36063.0010</b>	1	NZ 4			16,00
Flat clamp (1 Set = 3 pcs.)		<b>36070.0010</b>	1	NSL 2			32,00
PEN connection with lug, V2N-clamp 35 - 240mm <sup>2</sup> sm/ 35 - 300mm <sup>2</sup> se		<b>36138.0010</b>	1	NZ 4	0,002	0,008	7,30
V-clamb, 95 - 240 mm <sup>2</sup> sm (1 Set = 3 pcs.)		<b>36201.0010</b>	1	netto			12,50
PEN connection with lug, V2N-clamp 35 - 240mm <sup>2</sup> sm/ 35 - 300mm <sup>2</sup> se		<b>36297.0010</b>	1	NZ 4	0,003	0,012	8,35
PEN connection with lug, V2MD-clamp 25-300 mm <sup>2</sup>		<b>36299.0010</b>	1	NSL 5			7,30
V2N-clamp 35 - 240 mm <sup>2</sup> sm / 35 - 300 mm <sup>2</sup> se (1 Set = 3 pcs.)	1-2-3 series 2000, NTSL, 00/185	<b>36148.0010</b>	1	NZ 4			15,00
V2MD-clamp 25-300 mm <sup>2</sup>	1-2-3 series 2000, NTSL, 00/185	<b>36298.0010</b>	1	NZ 4			15,00

## NH Accessories

For more information  
see page **198**



90265.0100

### Universal Conductor terminals and blocks

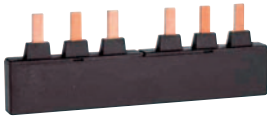
Description	Size	Amps	Type	Order-No.	PU	PG	Sur. Ag	Sur. Cu	Price €/pc.
Universal terminal block 16-120mm <sup>2</sup> for 5 mm thick busbars, with cover				<b>90263.0100</b>					on demand
Universal terminal block 16-120mm <sup>2</sup> for 10 mm thick busbars, with cover				<b>90264.0100</b>					on demand
Universal conductor terminal 1,5 - 15 mm <sup>2</sup> for 5mm thick busbars		180		<b>90265.0100</b>					on demand
Universal conductor terminal 1,5 - 15 mm <sup>2</sup> for 10mm thick busbars		180		<b>90266.0100</b>					on demand
Universal conductor terminal 4 - 35 mm <sup>2</sup> for 5mm thick busbars		270		<b>90267.0100</b>					on demand
Universal conductor terminal 4 - 35 mm <sup>2</sup> for 10mm thick busbars		270		<b>90268.0100</b>					on demand
Universal conductor terminal 16 - 120 mm <sup>2</sup> for 5mm thick busbars		440		<b>90269.0100</b>					on demand
Universal conductor terminal 16 - 120 mm <sup>2</sup> for 10mm thick busbars		440		<b>90270.0100</b>					on demand
Brace terminal 150 -300 mm <sup>2</sup> for cable Al or Cu for busbars 20 x 5 up to 30 x 10		600		<b>90271.0100</b>					on demand
Protection cover 3-pole 180 mm				<b>90275.0100</b>					on demand

## NH Accessories

With the feeding devices the NH Fuse-Switches will be supplemented with a high quality product.

- Easy and safety connection methode
- Fast mounting
- Reduce wiring

For more information see page **198**



85371.0100

### Feeding devices

Description	Size	Amps	Type	Order-No.	PU	PG	Sur. Ag	Sur. Cu	Price €/pc.
Feeding clamp 25 - 95 mm <sup>2</sup> (1 Set = 3 pieces)	000			<b>36163.0010</b>	1	NT IN 1			42,40
Feeding device for 2 switches	000			<b>85371.0100</b>	1	NT IN 1			24,80
feeding device for 3 switches	000			<b>85371.0200</b>	1	NT IN 1			30,00
Feeding device for 4 switches	000			<b>85371.0300</b>	1	NT IN 1			40,40
connecting device	000			<b>85372.0100</b>	1	NT IN 1			25,90
Cover for blank space	000			<b>85373.0100</b>	1	NT IN 1			2,60
Feeding device 2 X SILAS NH000	000			<b>90276.0100</b>	4	NT SILAS			on dem.
Feeding device 3 X SILAS NH000	000			<b>90276.0200</b>	4	NT SILAS			on dem.
Feeding device 4X SILAS	000			<b>90276.0300</b>	4	NT SILAS			on dem.
Feeding device 5X SILAS	000			<b>90276.0400</b>	4	NT SILAS			on dem.
Feeding clamp 25 - 95 mm <sup>2</sup> RM/SM SILAS NH000	000			<b>90277.0100</b>	3	NT SILAS			on dem.
Feeding device for 2 switches	00			<b>90280.0100</b>	4	NT SILAS			on dem.
Feeding device for 3 switches	00			<b>90280.0200</b>	4	NT SILAS			on dem.
Feeding device for 4 switches	00			<b>90280.0300</b>	4	NT SILAS			on dem.
Feeding device for 5 switches	00			<b>90280.0400</b>	4	NT SILAS			on dem.

## NH Accessories

For more information  
see page **198**



85270.0600

### Busbar support

Description	Size	Amps	Type	Order-No.	PU	PG	Sur. Ag	Sur. Cu	Price €/pc.
Plug-in elements 30 x 10 mm		675		<b>85223.0400</b>	24	netto			1,10
Plug-in elements 40 x 10 mm		850		<b>85223.0300</b>	24	netto			1,10
Plug-in elements 50 x 10 mm		1000		<b>85223.0200</b>	24	netto			1,10
Plug-in elements 60 x 10 mm		1250		<b>85331.0200</b>	24	netto			1,00
Plug-in elements 60 x 10 mm		1600		<b>85331.0300</b>	24	netto			1,00
Busbar support 100 mm		1250		<b>85223.0100</b>	4	netto			20,70
Busbar support 185 mm		1600		<b>85331.0100</b>	2	netto			15,50
Busbar support 60 mm, dimensions of the busbar 15, 20, 25, 30 x 10 mm		800		<b>85270.0600</b>	4	netto			5,20



81152.0100

### Power measurement

Description	Size	Amps	Type	Order-No.	PU	PG	Sur. Ag	Sur. Cu	Price €/pc.
locking ring				<b>25304.0100</b>	1	netto			on demand
Transformers NH Fuse-Links 400V	2	100		<b>35067.0010</b>	1	NZ 3	0,013	0,020	33,10
Transformers NH Fuse-Links 400V	2	125		<b>35067.0020</b>	1	NZ 3	0,015	0,200	33,10
Transformers NH Fuse-Links 400V	2	160		<b>35067.0030</b>	1	NZ 3	0,017	0,020	37,30
Transformers NH Fuse-Links 400V	2	200		<b>35067.0040</b>	1	NZ 3	0,017	0,020	37,30
Transformers NH Fuse-Links 400V	2	224		<b>35067.0050</b>	1	NZ 3	0,028	0,020	37,30
Transformers NH Fuse-Links 400V	2	250		<b>35067.0060</b>	1	NZ 3	0,030	0,200	37,30
Transformers NH Fuse-Links 400V	2	315		<b>35067.0070</b>	1	NZ 3	0,041	0,020	46,60
Transformers NH Fuse-Links 400V	2	355		<b>35067.0080</b>	1	NZ 3	0,050	0,020	46,60
Transformers NH Fuse-Links 400V	2	400		<b>35067.0090</b>	1	NZ 3	0,057	0,020	46,60
Transformers NH Fuse-Links 400V	3	630		<b>35190.0060</b>	1	NZ 3	0,095	0,020	107,60
Summary current transformers 300-600/5	3			<b>81153.0100</b>	1	NZ 3			193,00
Maximum amment, range 200-400/5	2			<b>85153.0100</b>	1	NZ 3			232,00
Load monitoring case A				<b>85196.0100</b>	1	NZ 3			350,00
Load monitoring case B				<b>85263.0100</b>	1	NZ 3			477,00
Summary current transformers 200-400/5	2			<b>81142.0100</b>	1	NZ 3			135,00
Summary current transformers 100-200/5	2			<b>81152.0100</b>	1	NZ 3			137,00
Maximum amment, range 200-400/5	2			<b>85094.0100</b>	1	NZ 3			166,00
Maximum amment, range 200-400/5	3			<b>85100.0100</b>	1	NZ 3			232,00



36116.0010

### Cable clamp

Description	Size	Amps	Type	Order-No.	PU	PG	Sur. Ag	Sur. Cu	Price €/pc.
Cable clamp for cable 1x 25 - 38mm <sup>2</sup>				<b>36116.0010</b>	1	netto			4,30
Cable clamp for cable 3x 25 - 38mm <sup>2</sup>				<b>36116.0020</b>	1	netto			11,50

## NH Accessories

 For more information  
see page 198


36072.0700

**Insulator**
**Properties:**

- with Thread / Thread

Description	Height	Wrench size	Order-No.	PU	PG	Sur. Ag	Sur. Cu	Price €/pc.
Insulator H35 SW32 M10/M10	35	SW32	36072.0010	1	netto			3,10
Insulator H35 SW32 M8/M8	35	SW32	36072.0020	1	netto			2,10
Insulator H35 SW32 M6/M6	35	SW32	36072.0030	1	netto			2,10
Insulator H30 SW30 M8/M8	30	SW30	36072.0110	1	netto			2,10
Insulator H30 SW30 M6/M6	30	SW30	36072.0120	1	netto			2,10
Insulator H30 SW30 M10/M10	30	SW30	36072.0130	1	netto			2,10
Insulator H40 SW36 M6/M6	40	SW36	36072.0200	1	netto			3,10
Insulator H40 SW36 M8/M8	40	SW36	36072.0210	1	netto			3,10
Insulator H40 SW36 M10/M10	40	SW36	36072.0220	1	netto			3,10
Insulator H45 SW46 M6/M6	45	SW46	36072.0300	1	netto			3,10
Insulator H45 SW46 M8/M8	45	SW46	36072.0310	1	netto			3,10
Insulator H45 SW46 M10/M10	45	SW46	36072.0320	1	netto			3,10
Insulator H50 SW50 M6/M6	50	SW50	36072.0400	1	netto			4,15
Insulator H50 SW50 M10/M10	50	SW50	36072.0410	1	netto			4,15
Insulator H50 SW50 M12/M12	50	SW50	36072.0420	1	netto			4,15
Insulator H50 SW50 M8/M8	50	SW50	36072.0430	1	netto			4,15
Insulator H60 SW50 M6/M6	60	SW50	36072.0500	1	netto			4,15
Insulator H60 SW50 M10/M10	60	SW50	36072.0510	1	netto			4,15
Insulator H60 SW50 M10/M10	60	SW60	36072.0520	1	netto			4,15
Insulator H60 SW50 M8/M8	60	SW50	36072.0530	1	netto			4,15
Insulator H60 SW50 M16/M16	60	SW50	36072.0540	1	netto			6,20
Insulator H70 SW60 M10/M10	70	SW60	36072.0610	1	netto			7,30
Insulator H70 SW60 M12/M12	70	SW60	36072.0620	1	netto			7,30
Insulator H70 SW60 M8/M8	70	SW60	36072.0630	1	netto			6,20
Insulator H70 SW60 M16/16	70	SW60	36072.0640	1	netto			7,30
Insulator H25 SW36 M6/M6	25	SW36	36072.0700	1	netto			2,10
Insulator H25 SW36 M8/M8	25	SW36	36072.0710	1	netto			2,10



36079.0020

**Insulator**
**Properties:**

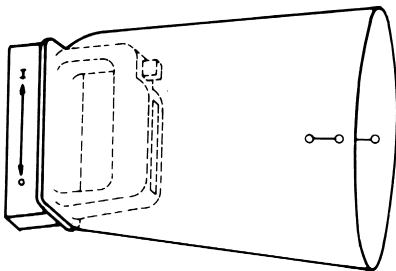
- with Bolt/ Bolt

Description	Height	Wrench size	Order-No.	PU	PG	Sur. Ag	Sur. Cu	Price €/pc.
Insulator HST25 SW36 M8/M8-10	25	SW36	36079.0020	1	netto			3,10
Insulator HST30 SW30 M6/M6	30	SW30	36079.0100	1	netto			3,10
Insulator HST30 SW30 M8/M8	30	SW30	36079.0110	1	netto			3,10
Insulator HST30 SW30 M10/M10	30	SW30	36079.0120	1	netto			3,10
Insulator HST50 SW50 M8/M8	50	SW50	36079.0210	1	netto			4,15
Insulator HST50 SW50 M10/M10	50	SW50	36079.0220	1	netto			5,20
Insulator HST50 SW50 M12/M12	50	SW50	36079.0240	1	netto			5,20
Insulator HST35 SW32 M6/M6	35	SW32	36079.0300	1	netto			3,10
Insulator HST35 SW32 M8/M8	35	SW32	36079.0310	1	netto			3,10
Insulator HST35 SW32 M10/M10	35	SW32	36079.0320	1	netto			3,10
Insulator HST40 SW36 M8/M8	40	SW36	36079.0400	1	netto			4,15
Insulator HST40 SW36 M10/M10	40	SW36	36079.0410	1	netto			4,15
Insulator HST40 SW36 M6/M6	40	SW36	36079.0420	1	netto			3,10
Insulator HST45 SW46 M6/M6	45	SW46	36079.0500	1	netto			4,15
Insulator HST45 SW46 M8/M8	45	SW46	36079.0510	1	netto			4,15
Insulator HST45 SW46 M10/M10	45	SW46	36079.0520	1	netto			4,15
Insulator HST60 SW50 M8/M8	60	SW50	36079.0610	1	netto			5,20
Insulator HST60 SW50 M10/M10	60	SW50	36079.0620	1	netto			6,20
Insulator HST60 SW50 M12/M12	60	SW50	36079.0630	1	netto			6,20
Insulator HST70 SW60 M8/M8	70	SW60	36079.0710	1	netto			7,30
Insulator HST70 SW60 M10/M10	70	SW60	36079.0720	1	netto			8,30
Insulator HST70 SW60 M12/M12	70	SW60	36079.0740	1	netto			8,30



### NH replacement handles

acc. to VDE 0636 T 201, IEC 60269-2-1  
for NH Fuse-Links and Solid-Links.

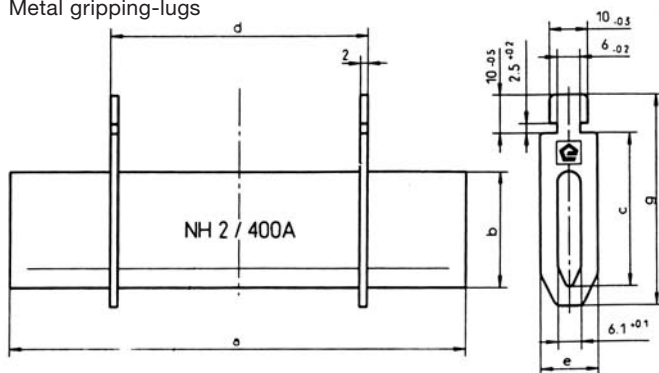


Description	Order no.	Pack	Weight
<b>NH handle for NH Fuse-Links</b> DIN VDE 0636-201, size 00-3 (fits size 4 as well) with hand protection, without cuff	36020.0010	10	0,21
<b>NH handle for NH Fuse-Links</b> DIN VDE 0636-201, size 00-3 (fits size 4 as well) with leather cuff, total length 352 mm	36022.0010	3	0,38
<b>Handle for NH Fuse-Links</b> with 120 mm distance between gripping-lugs	36018.0010	4	0,30

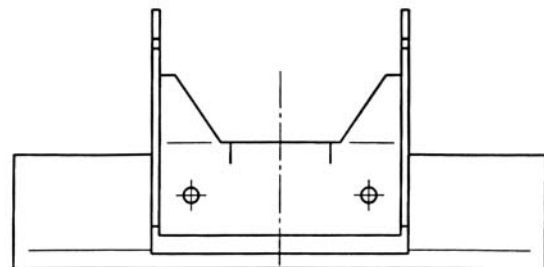
### NH Solid-Links size 00-4a

NH Solid-Links can be used with NH Fuse-Bases acc. to VDE 0636-201 and with NH Fuse-Switches, horizontal and vertical design, of corresponding sizes.

Metal gripping-lugs



insulated gripping-lugs



Size	Metal gripping-lugs			insulated gripping-lugs			Amps	V	Dimensions					
	Order no.	Weight	Pack	Order no.	Weight	Pack			a	b	c	d	g	e
00	36008.0010	0,07	15	36139.0010	0,05	12	160	690	77	15	35	47	6	17
0	36009.0010	0,10	10	36140.0010	0,10	6	160	690	122,5	15	35	65	6	17
1	36010.0010	0,15	9	36141.0010	0,15	12	250	690	132,5	20	40	65	6	20
2	36011.0010	0,21	6	36142.0010	0,25	6	400	690	147,5	25	48	65	6	20
3	36012.0010	0,27	6	36143.0010	0,25	6	630	690	147,5	32	60	65	6	20
3	36012.0020	0,27	6	36144.0010	0,25	6	1000	690	147,5	32	60	65	6	20
3L	-	-	-	36015.0020	0,35	10	1000	1500	203	32	60	120	6	20
4	36013.0010	0,60	10	-	-	-	1250	690	200	50	85	65	8	25
4a	36014.0010	0,59	6	-	-	-	1600	690	200	50	85	87	6	25

**Blown fuse-monitoring**

May be used parallel to fuses for rectifier and in AC / DC circuits.

**Striker Bases**

The striker bases are equipped with auxiliary switches

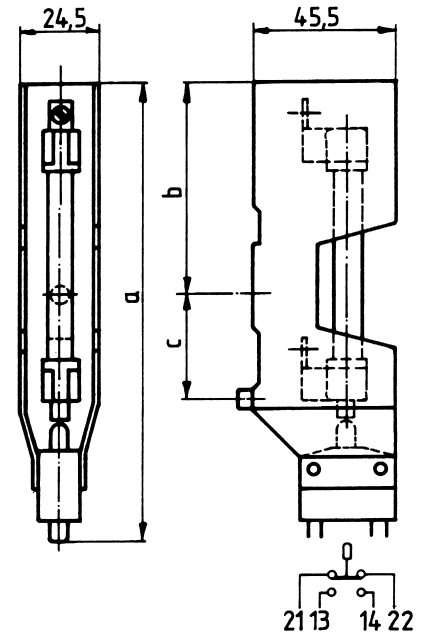
1 NC and 1 NO (2 NO on demand)

$U_e = 400 \text{ V} / 125 \text{ V DC}$  (with resistive load)

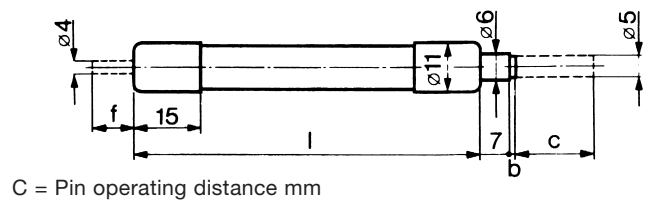
$I_e = 010 \text{ A} / 00,5 \text{ A DC}$  (with resistive load)

with tab 6.3 according to DIN 46 248

Description	Order no.	Pack	Dimensions		
			a	b	c
Base 690 V	33087.0010	5	129	42	40
Base 1000 V	33088.0010	5	148	61	40
Base 1200 V	33089.0010	4	213	72,5	70
Base 1500 V	33090.0010	4	194	72,5	70
Base 2000 V	33091.0010	4	233	107,5	70


**Strikers**

Strikers operate parallel to NH Fuse-Links. Strikers are no Fuse-Links, meaning they have to be used in combination with NH Fuse-Links.



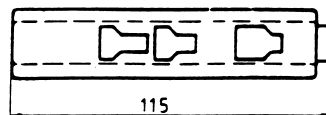
Description	Order no.	Pack	Min. sensitiveness		R	Dimensions			
			V	A		b	c	f	l
Striker 690 V	36000.0010	12	9	2,5	2	1	18	-	60±1
Striker 690 V ≥ 2 V	36031.0020	12	2	7	0,3	1	18	-	60±1
Striker 1000 V	36001.0010	12	10	3	2,4	1	18	-	79±1
Striker 1200 V	36006.0010	30	48	2	18	36	17	-	100±3
Striker 1200 V	36007.0010	25	48	2	18	25	17	-	100±3
Striker 1500 V	36003.0010	15	48	2	18	8	20	-	116±1
Striker 1500 V with pen	36004.0010	25	48	2	18	8	20	11,5	116±1
Striker 2000 V	36002.0010	16	55	2,5	20	8	20	-	150±1

**elgard**

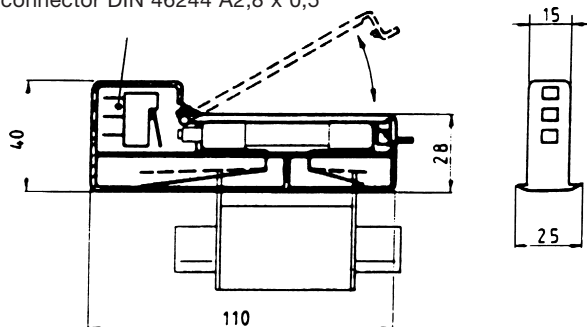
The elegard blown fuse-monitoring can be used onto any standardized NH Fuse-Link with live gripping lugs size 00-4. An interchangeable striker unit is electrically connected with the live gripping lugs by spring contacts of the elgard holder. The NH Fuse-Link serves as carrier and when it operates, the elegard striker releases a pin, operating a micro switch.

Description	Order no.	Pack
elgard-holder	36030.0000	4
elgard striker 690 V/> 9 V	36031.0010	12
elgard striker 690 V/≥ 9 V	36031.0020	12

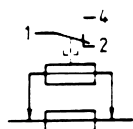
Micro switch AC 250 V 5A



Flat connector DIN 46244 A2,8 x 0,5



Change Fuse-Link only after removal of the elgard-holder



**Load monitoring case**

EFEN load monitoring cases are available in 2 sizes.

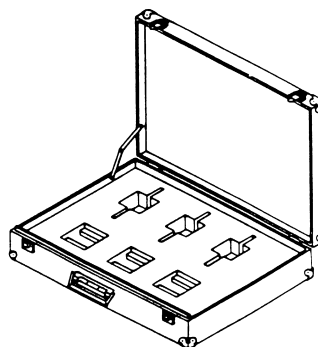
**Size A** suitable to carry each

- 3 current transformer Fuse-Links size 2
- 3 current transformers
- 3 maximum ammeters
- 3 retaining rings

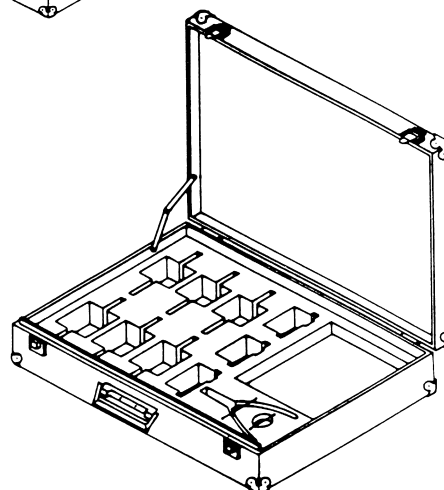
**Size B** suitable to carry each

- 6 current transformer Fuse-Links size 2
- 3 current transformers
- 3 maximum ammeters
- 1 pliers for retaining rings for bores
- 6 retaining rings
- 1 handle with cuff

Size A



Size B



Description	Order no.	Pack
Load monitoring case A	85196.0100	1
Load monitoring case B	85263.0100	1

### Current metering

For temporary or permanent monitoring of the load current, EFEN offers a current metering set, consisting of:

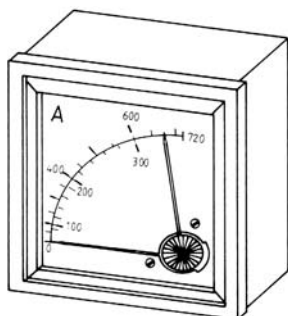
- a maximum ammeter
- a current transformer
- a current transformer Fuse-Link.

The combination of current transformer Fuse-Link and current transformer corresponds in all essential dimensions to DIN VDE 0636-201. It may be inserted into standard NH Fuse-Bases, NH Fuse-Rails and EFEN Fuse-Switches vertical design. The electrical characteristics of the NH Fuse-Links correspond to VDE 0636/201 and IEC 60 269-2-1.

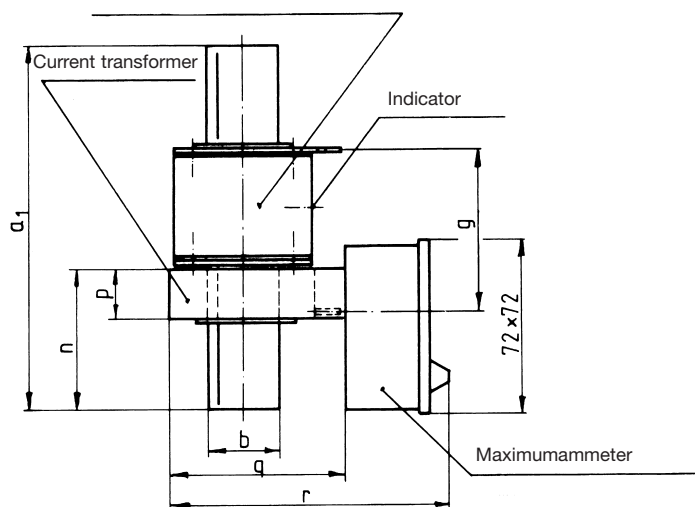
The current transformer has two pairs of sockets, corresponding to the measuring ranges. As the no-load voltage at the measuring sockets is only 3 V, the current transformer can be used in open circuit condition. Corresponding to the current transformer, the ammeter has two scales.

Response time 8 minutes.

The overload protection covers 2 times the value of the measuring range.



Current transformer Fuse-Link



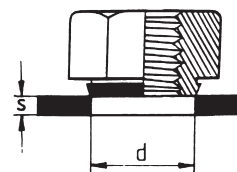
Size	a <sub>1</sub>	b	g	n	p	q	r
2	150	30	66	59	20	74	123
3	152	32	66	64	24	88	131

Description	Size	Range	Order no.	Pack	Weight
Maximum ammeter	2	200-400/5 A	85094.0100	1	0,100
Maximum ammeter	2	200-400/1 A	85094.0300	1	0,100
Maximum ammeter	2	100-200/5 A	85153.0100	1	0,100
Maximum ammeter	3	300-600/5 A	85100.0100	1	0,100
Current transformer	2	200-400/5 A	81142.0100	1	0,100
Current transformer	2	100-200/5 A	81152.0100	1	0,100
Current transformer	3	300-600/5 A	81153.0100	1	0,100
Current transformer Fuse-Link AC 400 V	2	100 A	35067.0010	1	0,526
Current transformer Fuse-Link AC 400 V	2	125 A	35067.0020	1	0,530
Current transformer Fuse-Link AC 400 V	2	160 A	35067.0030	1	0,532
Current transformer Fuse-Link AC 400 V	2	200 A	35067.0040	1	0,532
Current transformer Fuse-Link AC 400 V	2	224 A	35067.0050	1	0,532
Current transformer Fuse-Link AC 400 V	2	250 A	35067.0060	1	0,529
Current transformer Fuse-Link AC 400 V	2	315 A	35067.0070	1	0,526
Current transformer Fuse-Link AC 400 V	2	(355) A	35067.0080	1	0,538
Current transformer Fuse-Link AC 400 V	2	400 A	35067.0090	1	0,535
Current transformer Fuse-Link AC 400 V	3	630 A	35190.0060	1	0,400
Retaining rings			25304.0100	1	0,100

### Inserted screw nuts

NH switchgear may be directly contacted onto busbar systems with inserted screw nuts.

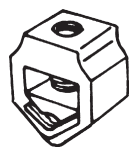
Description	Internal thread	d (mm)	s (mm)	Order no.	Pack
Inserted screw nut	M6	8,0	1	85195.0100	1
Inserted screw nut	M8	10,0	2	85133.0100	1
Inserted screw nut	M10	12,5	2	85130.0100	1
Inserted screw nut	M12	14,5	3	85131.0100	1
Inserted screw nut	M16	18,5	3	85402.0100	1



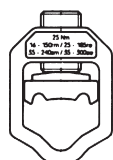
### Direct connection clamps for NH Fuse-Switches

Description	Cross section	Internal thread	Order no.	Pack
<b>V-Clamps (1 set = 3 pcs.)</b>	35-185 mm <sup>2</sup> sm 70-240 mm <sup>2</sup> se	25 Nm	36025.0060	1
<b>V2N-Clamps (1 set = 3 pcs.)<sup>1)</sup></b>	16-150 mm <sup>2</sup> rm 25-185 mm <sup>2</sup> re 35-240 mm <sup>2</sup> sm 35-300 mm <sup>2</sup> se	35 Nm	36148.0010	1
<b>V2 MD-Clamps (1 set = 3 pcs.)</b>	25-240 mm <sup>2</sup> rm 25-240 mm <sup>2</sup> re 25-240 mm <sup>2</sup> sm 25-300 mm <sup>2</sup> se	25 Nm	36298.0010	1
<b>V2-MD-Clamps with lug (1 set = 1 pcs.)</b>	25-240 mm <sup>2</sup> rm 25-240 mm <sup>2</sup> re 25-240 mm <sup>2</sup> sm 25-300 mm <sup>2</sup> se	25 Nm	36299.0010	1
<b>V2N-Clamps with lug (1 set = 1 pcs.)</b>	16-150 mm <sup>2</sup> rm 25-185 mm <sup>2</sup> re 35-240 mm <sup>2</sup> sm 35-300 mm <sup>2</sup> se	35 Nm	36138.0010	1
<b>V2N-Clamps with lug (1 set = 1 pcs.)</b>	16-150 mm <sup>2</sup> rm 25-185 mm <sup>2</sup> re 35-240 mm <sup>2</sup> sm 35-300 mm <sup>2</sup> se	35 Nm	36297.0010	1
<b>V-Clamps with lug (1 set = 3 pcs.) for two conductors</b>	2x50-185 mm <sup>2</sup> sm	25 Nm	36025.0050	1
<b>Claw Clamp M12 (1 set = 3 pcs.)</b>	50-150 mm <sup>2</sup> se		36063.0010	1
<b>Insulating cap V2 MD</b>			31607.0100	1
<b>Insulating cap V2N</b>			31516.0100	1
<b>Retainer flat clamp, 1 Set = 3 pcs.</b>	35 - 185 mm <sup>2</sup> rm 35 - 150 mm <sup>2</sup> se 35 - 120 mm <sup>2</sup> sm	25 Nm	36070.0010	1

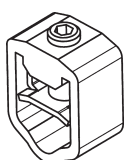
<sup>1)</sup> This cross section is only possible when using switches with special V-shaped terminal.



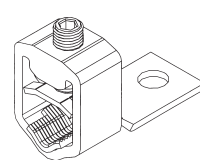
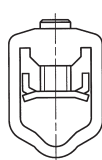
V-Clamps  
36025.0060  
36025.0060



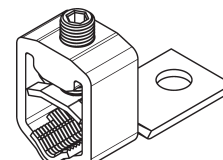
V2N-Clamps  
36148.0010



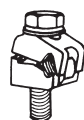
V2 MD-Clamps  
36298.0010



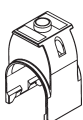
V2-MD-Clamps with lug  
36299.0010



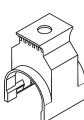
V2N-Clamps with lug  
V2N-clamp protected against  
distort  
36138.0010  
36297.0010



Claw Clamp  
M12  
36063.0010



Insulating cap  
V2 MD  
31607.0100



Insulating cap  
V2N  
31516.0100

## Universal conductor terminals and blocs

Description	Amps	Order no.	Description	Pack	Weight in kg
Universal conductor terminal clamp 1.5 -15 mm <sup>2</sup> for 5mm thick busbars	180	90265.0100	ANSCHL.KLEM SKM 1,5-15MM F5MM SCHIENEN	1	0,021
Universal conductor terminal clamp 1.5 -15 mm <sup>2</sup> for 10mm thick busbars	180	90266.0100	ANSCHL.KLEM SKM 1,5-15MM F10MM SCHIENEN	1	0,023
Universal conductor terminal clamp 4 -35 mm <sup>2</sup> for 5mm thick busbars	270	90267.0100	ANSCHL.KLEM SKM 4-35MM F 5MM SCHIENEN	1	0,046
Universal conductor terminal clamp 4 - 35 mm <sup>2</sup> for 10 mm thick busbars	270	90268.0100	ANSCHL.KLEM SKM 4-35MM F 10MM SCHIENEN	1	0,047
Universal conductor terminal clamp 16 -120 mm <sup>2</sup> for 5mm thick busbars	440	90269.0100	ANSCHL.KLEM SKM 16-120MM F5MM SCHIENEN	1	0,106
Universal conductor terminal clamp 16 -120 mm <sup>2</sup> for 10 mm thick busbars	440	90270.0100	ANSCHL.KLEM SKM 16-120MM F10MM SCHIENE	1	0,109
Brace terminal clamp 150 300mm <sup>2</sup> for AL or Cu conductor for busbar 20 x 5x to 30 x 10	600	90271.0100	SPREIZKLEMME SKM 150-300MM	1	0,425
Cover 3 pole design 180 mm		90275.0100	ABDECKKAPPE SKM 3-POLIG 180MM	1	0,330
Universal conductor block 16-120 mm <sup>2</sup> for 5 mm thickness busbars with cover.		90263.0100	KLEMMENBLOCK SKM 16-120MM F 5MM SCHIENEN	1	0,540
Universal conductor block 16-120 mm <sup>2</sup> for 10 mm thickness busbars with cover.		90264.0100	KLEMMENBLOCK SKM 16-120MM F 10MM SCHIENE	1	0,545

## Feeding devices

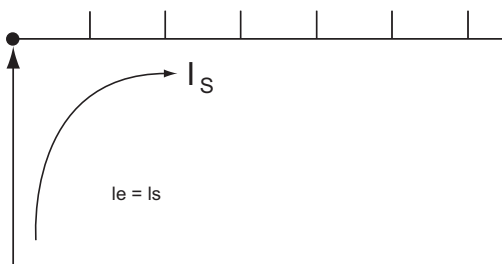
Description	Amps	Order no.	Description	Pack	Weight in kg
Feeding device for 2 switches, small version		90276.0100	Feeding device 2X SILAS NH000	4	0,245
Feeding device for 3 switches, small version		90276.0200	Feeding device 3X SILAS NH000	4	0,345
Feeding device for 4 switches, small version		90276.0300	Feeding device 4X SILAS NH000	4	0,433
Feeding device for 5 switches, small version		90276.0400	Feeding device 5X SILAS NH000	4	0,525
Feeding clamp 25-95mm <sup>2</sup> rm/sm, small version		90277.0100	Feeding clamp 25-95mm <sup>2</sup> RM/SM SILAS NH000	3	0,096
Feeding device for 2 switches		90280.0100	Feeding device 2X SILAS/IN NH00	4	0,384
Feeding device for 3 switches		90280.0200	Feeding device 3X SILAS/IN NH00	4	0,450
Feeding device for 4 switches		90280.0300	Feeding device 4X SILAS/IN NH00	4	0,500
Feeding device for 5 switches		90280.0400	Feeding device 5X SILAS/IN NH00	4	0,550

Technical data acc. to DIN EN 60947-1 VDE 0660 T100 / IEC 60947-1:2004

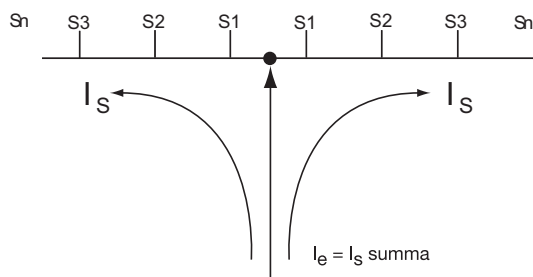
Description		
Materials	Bus bar	E – Cu 58 F25
	Insulation	PC/ABS extruding - leight gray RAL 7035
	Endcap	PC/ABS injected light gray RAL 7035
	protection cover	PA66 V0 injected light gray RAL 7035
Temperature range	PC / ABS extruding	VST B 120 – ISO 306 = 113°C-UL94-VO/1,5
	PC / ABS injected	VST B 120 – ISO 306 = 138°C – UL94-V01,6
Isolation coordination	over voltage category III currosion grad 2	
Electric strength	PC / ABS	> 32 kV / mm
Impulse withstand voltage	>=/> 6,0kV (1kV/mmLS)	
Minimum aeral distance	> 8 mm	
Minimum creeping distance	> 8,5 mm	
Maximum operating voltage	690 V AC / 440 V DC	
Nominal operating voltage	415 V	
Short circuit strength	12,5 kA – 100 ms / 400 V	

Loading capacity with 35°C ambient temperature in dependance from the incoming feeder

Busbar block length (m)	Max.1	Max. 0,3
Busbar cross section	35 mm <sup>2</sup>	35 mm <sup>2</sup>
Supply at the busbar start or end	125 A	200 A
Maximum busbar current Is/Phase	35 mm <sup>2</sup>	2x35 mm <sup>2</sup>
Connecting cross section		
Other frequencise		
Max. busbar current Is/Phase	160 A	260 A
Connected cross section	2x35 mm <sup>2</sup>	95 mm <sup>2</sup>
Feeding busbar for 000	-	2 - 5
Feeding busbar for 00	4 – 5 fold	2 - 3



connection at the busbar start or end



other connections

pay attention when using mid incoming feeder that the total sum of the outgoing feeder S1.....Sn for each busbar section is not larger than the above mentioned busbar current Is/Phase

**Busbar supports**

Busbar supports are available for following busbar centre distances:  
 Busbar centre distance 185 mm up to 1600 A  
 Busbar centre distance 100 mm up to 1250 A  
 Busbar centre distance 60 mm up to 800 A  
 Busbar centre distance 40 mm up to 250 A

**Busbar support, 1600 A; Centre distance 185 mm**

Description	Busbar dimensions	Quantity each support	Amps	Order no.	Pack
Busbar support 185 mm	80 x 10 mm	-	1600	85331.0100	2
Plug-in elements	60 x 10 mm	6	1250	85331.0200	24
Plug-in elements	50 x 10 mm	6	1000	85331.0300	24

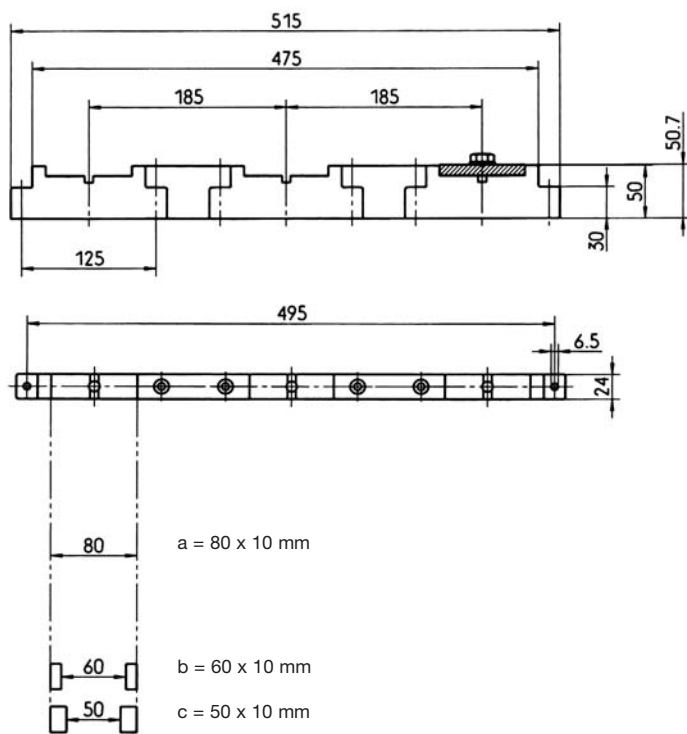
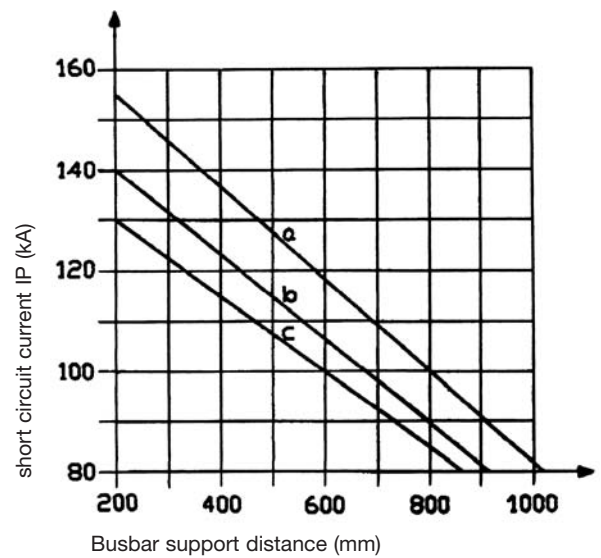


Diagramm of short circuit capability (185 mm)





### Busbar support, 1250 A; Centre distance 100 mm

Description	Busbar dimensions	Quantity each support	Amps	Order no.	Pack
Busbar support 100 mm	60 x 10 mm	-	1250	85223.0100	4
Plug-in elements	50 x 10 mm	6	1250	85223.0200	24
Plug-in elements	40 x 10 mm	6	850	85223.0300	24
Plug-in elements	30 x 10 mm	6	675	85223.0400	24

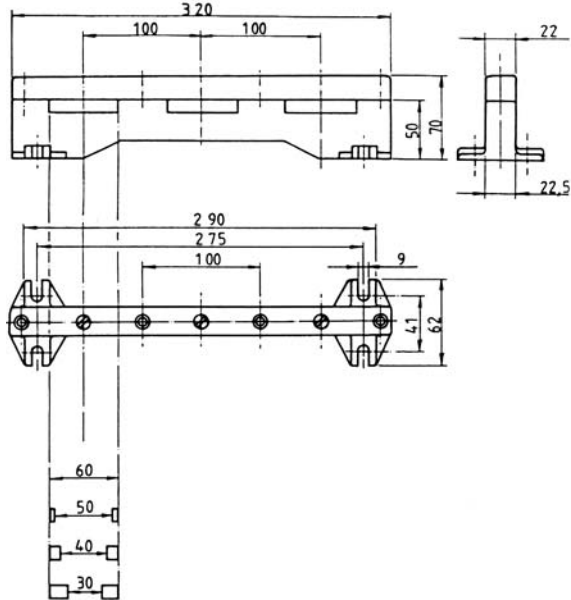
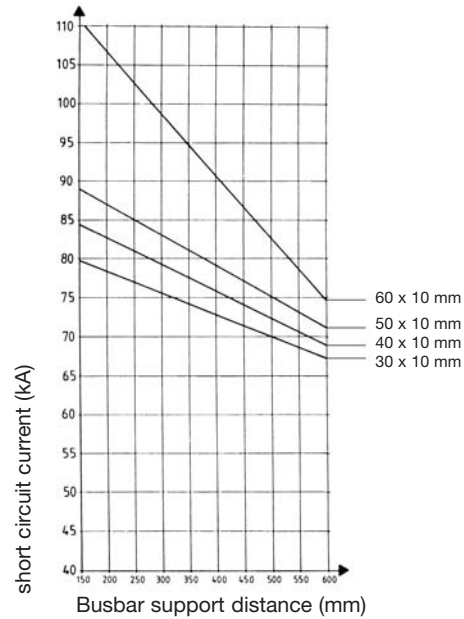


Diagramm of short circuit capability (100 mm)



### Busbar supports, 800 A; centre distance 60 mm

Description	Busbar dimensions	Quantity each support	Amps	Order no.	Pack
Busbar support 60 mm	15, 20, 25, 30 mm	-	800	85270.0600	4

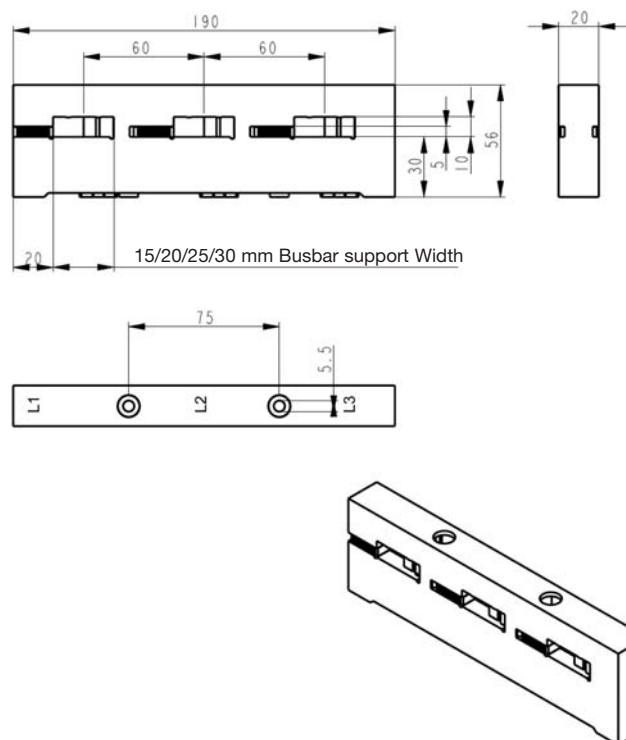
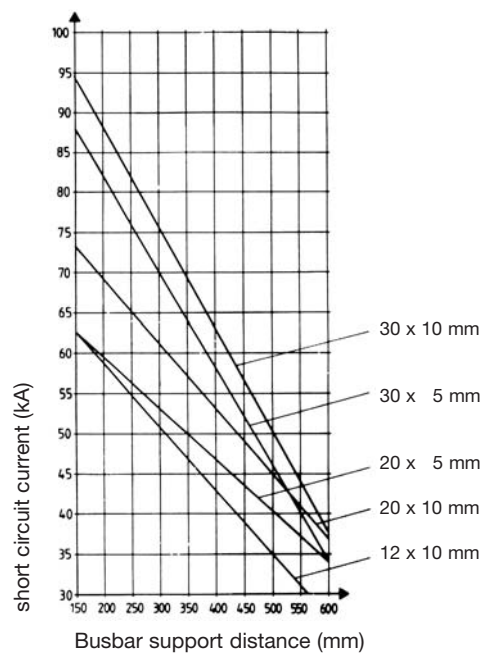


Diagramm of short circuit capability (60 mm)

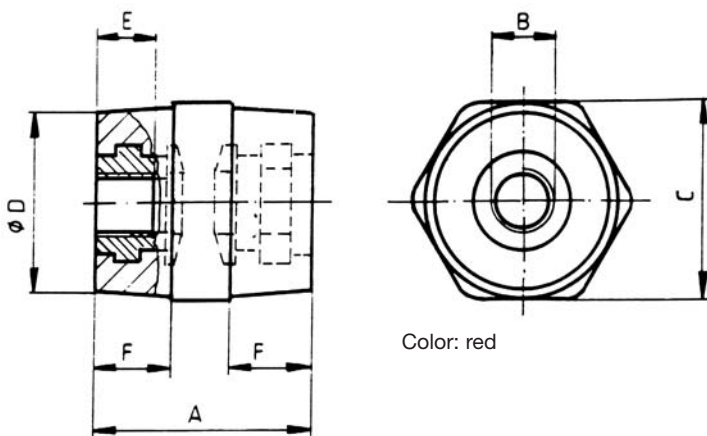


**Insulators**

Material: duroplastic unsaturated polyester, color red  
 Fire protected UL94-V0, free halogen adjustment  
 Heat resistant acc. to ISO 75/A > 200 °C  
 Thread socket steel zinc galvanized

Description	Order no.	A	B	C	Ø D	E	F	Rated service voltage kV	Power frequency withstand voltage kV	Creep resistance	Flexural resistance kN	Resistance to extension kN	Resistance to torsion Nm	Pack
H25 SW36 M6/M6	36072.0700	25	M6	SW36	30	6	10	1,0	7,5	•	4,0	6,0	15	1
H25 SW36 M8/M8	36072.0710	25	M8	SW36	30	8	10	1,0	7,5	•	6,4	9,5	24,5	1
H25 SW36 M10/M10	36072.0720	25	M10	SW36	30	10	10	1,0	7,5	•	6,4	9,5	30	1
H30 SW30 M6/M6	36072.0120	30	M6	SW30	26	6	12	1,0	7,5	•	4,0	6,0	15	1
H30 SW30 M8/M8	36072.0110	30	M8	SW30	26	8	12	1,0	7,5	•	6,4	9,5	24,5	1
H30 SW30 M10/M10	36072.0130	30	M10	SW30	26	10	12	1,0	7,5	•	6,4	9,5	30	1
H35 SW32 M6/M6	36072.0030	35	M6	SW32	29,8	8	13	1,0	23	•	4,5	6,0	15	1
H35 SW32 M8/M8	36072.0020	35	M8	SW32	29,8	10	13	1,0	23	•	6,9	10,0	50	1
H35 SW32 M10/M10	36072.0010	35	M10	SW32	29,8	12	13	1,0	23	•	8,0	11,0	80	1
H40 SW36 M6/M6	36072.0200	40	M6	SW36	32	8	15	1,5	20	•	4,5	6,0	15	1
H40 SW36 M8/M8	36072.0210	40	M8	SW36	32	10	15	1,5	20	•	8,5	11,0	50	1
H40 SW36 M10/M10	36072.0220	40	M10	SW36	32	12	15	1,5	20	•	9,0	12,0	75	1
H45 SW46 M6/M6	36072.0300	45	M6	SW46	38	8	17	1,5	23	•	5,0	6,0	15	1
H45 SW46 M8/M8	36072.0310	45	M8	SW46	38	10	17	1,5	23	•	9,5	14,0	50	1
H45 SW46 M10/M10	36072.0320	45	M10	SW46	38	12	17	1,5	23	•	9,5	14,0	95	1
H50 SW50 M6/M6	36072.0400	50	M6	SW50	42	8	19	2,0	37	•	5,0	6,0	15	1
H50 SW50 M8/M8	36072.0430	50	M8	SW50	42	10	19	2,0	37	•	5,0	13,0	50	1
H50 SW50 M10/M10	36072.0410	50	M10	SW50	42	12	19	2,0	37	•	6,0	13,0	90	1
H50 SW50 M12/M12	36072.0420	50	M12	SW50	42	17	19	2,0	25	•	9,5	17,0	125	1
H60 SW50 M6/M6	36072.0500	60	M6	SW50	42	8	23,5	3,0	30	•	5,5	6,0	15	1
H60 SW50 M8/M8	36072.0530	60	M8	SW50	42	10	23,5	3,0	30	•	8,0	19,0	50	1
H60 SW50 M10/M10	36072.0510	60	M10	SW50	42	12	23,5	3,0	30	•	8,0	19,0	90	1
H60 SW50 M12/M12	36072.0520	60	M12	SW50	42	16	23,5	3,0	20	•	10,0	19,0	115	1
H60 SW50 M16/M16	36072.0540	60	M16	SW50	42	20	23,5	3,0	20	•	10,0	19,0	115	1
H70 SW60 M8/M8	36072.0630	70	M8	SW60	52	10	28	4,0	50	•	8,0	19,0	50	1
H70 SW60 M10/M10	36072.0610	70	M10	SW60	52	12	28	4,0	50	•	12,0	22,0	90	1
H70 SW60 M12/M12	36072.0620	70	M12	SW60	52	16	28	4,0	50	•	13,0	24,0	185	1
H70 SW60 M16/M16	36072.0640	70	M16	SW60	52	20	28	4,0	50	•	13,0	24,0	195	1

• DIN EN 60 112 / VDE 0303 T.11 – CTI 600

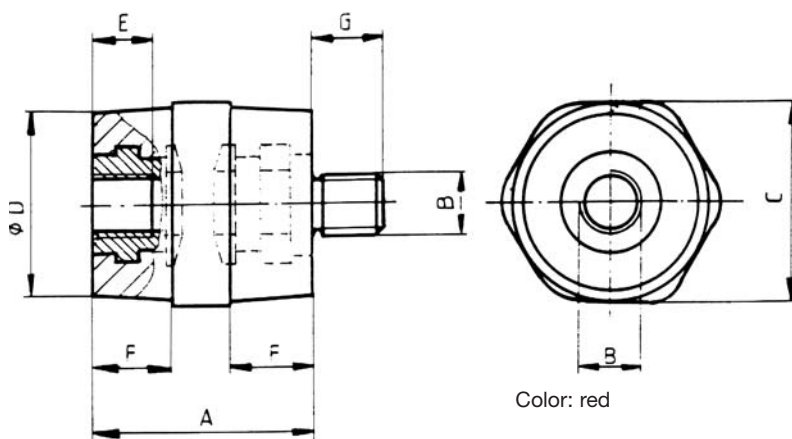


**Insulators**

Material: duroplastic unsaturated polyester, color red  
 Fire protected UL94-V0, free halogen adjustment  
 Heat resistant acc. to ISO 75/A > 200 °C  
 Thread socket/bolt steel zinc galvanized

Description	Order no.	A	B	C	Ø D	E	F	G	Rated service voltage kV	Power frequency withstand voltage kV	Creep resistance	Flexural resistance kN	Resistance to extension kN	Resistance to torsion Nm	Pack
25 SW36 M8/M8-10	36079.0020	25	M8	SW36	30	8	10	10	1,0	7,5	•	6,4	9,5	20	1
30 SW30 M6/M6	36079.0100	30	M6	SW30	26	6	12	8	1,0	10	•	4,0	5,0	10	1
30 SW30 M8/M8	36079.0110	30	M8	SW30	26	8	12	10	1,0	10	•	6,4	9,5	20	1
30 SW30 M10/M10	36079.0120	30	M10	SW30	26	10	12	12	1,0	10	•	6,4	9,5	30	1
35 SW32 M6/M6	36079.0300	35	M6	SW32	29,8	8	13	8	1,0	10	•	4,5	5,0	10	1
35 SW32 M8/M8	36079.0310	35	M8	SW32	29,8	10	13	10	1,0	10	•	6,9	9,5	22	1
35 SW 32M10/M10	36079.0320	35	M10	SW32	29,8	12	13	12	1,0	10	•	8,0	9,5	45	1
40 SW36 M6/M6	36079.0420	40	M6	SW36	32	8	15	8	1,5	15	•	4,5	5,0	10	1
40 SW36 M8/M8	36079.0400	40	M8	SW36	32	10	15	10	1,5	15	•	8,5	9,5	22	1
40 SW36 M10/M10	36079.0410	40	M10	SW36	32	12	15	12	1,5	15	•	9,0	9,5	45	1
45 SW46 M6/M6	36079.0500	45	M6	SW46	38	8	17	8	1,5	15	•	4,5	5,0	10	1
45 SW46 M8/M8	36079.0510	45	M8	SW46	38	10	17	10	1,5	15	•	9,5	10,0	22	1
45 SW46 M10/M10	36079.0520	45	M10	SW46	38	12	17	12	1,5	15	•	9,5	13,0	45	1
50 SW50 M8/M8	36079.0210	50	M8	SW50	42	10	19	10	2,0	15	•	5,0	10,0	22	1
50 SW50 M10/M10	36079.0220	50	M10	SW50	42	12	19	12	2,0	15	•	5,0	13,0	45	1
50 SW50 M12/M12	36079.0240	50	M12	SW50	42	17	19	17	2,0	15	•	6,0	17,0	115	1
60 SW50 M8/M8	36079.0610	60	M8	SW50	42	10	23,5	10	2,0	15	•	5,5	10,0	22	1
60 SW50 M10/M10	36079.0620	60	M10	SW50	42	12	23,5	12	2,0	15	•	8,0	13,0	45	1
60 SW50 M12/M12	36079.0630	60	M12	SW50	42	20	23,5	17	2,0	15	•	10,0	17,0	115	1
70 SW60 M8/M8	36079.0710	70	M8	SW60	52	10	28	10	2,0	15	•	8,0	10,0	22	1
70 SW60 M10/M10	36079.0720	70	M10	SW60	52	12	28	12	2,0	15	•	12,0	13,0	45	1
70 SW60 M12/M12	36079.0740	70	M12	SW60	52	20	28	17	2,0	15	•	13,0	17,0	115	1

• DIN EN 60 112 / VDE 0303 T.11 – CTI 600



**Cable clamp 25-38-mm fiberglass inforced, self-extinguishing, halogen free thermoplast**

Order no. 36116.0010/Pack 1

Order no. 36116.0020/Pack 1

