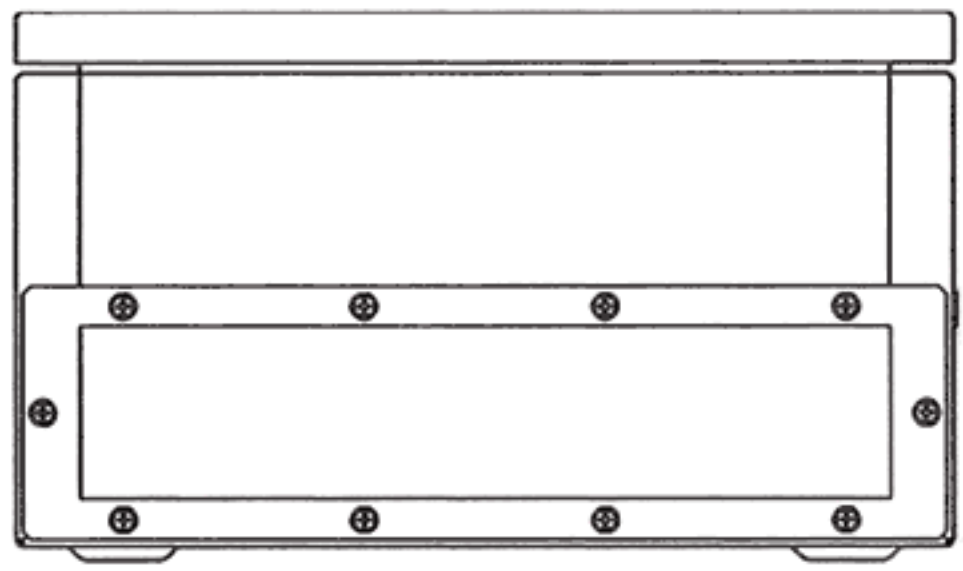
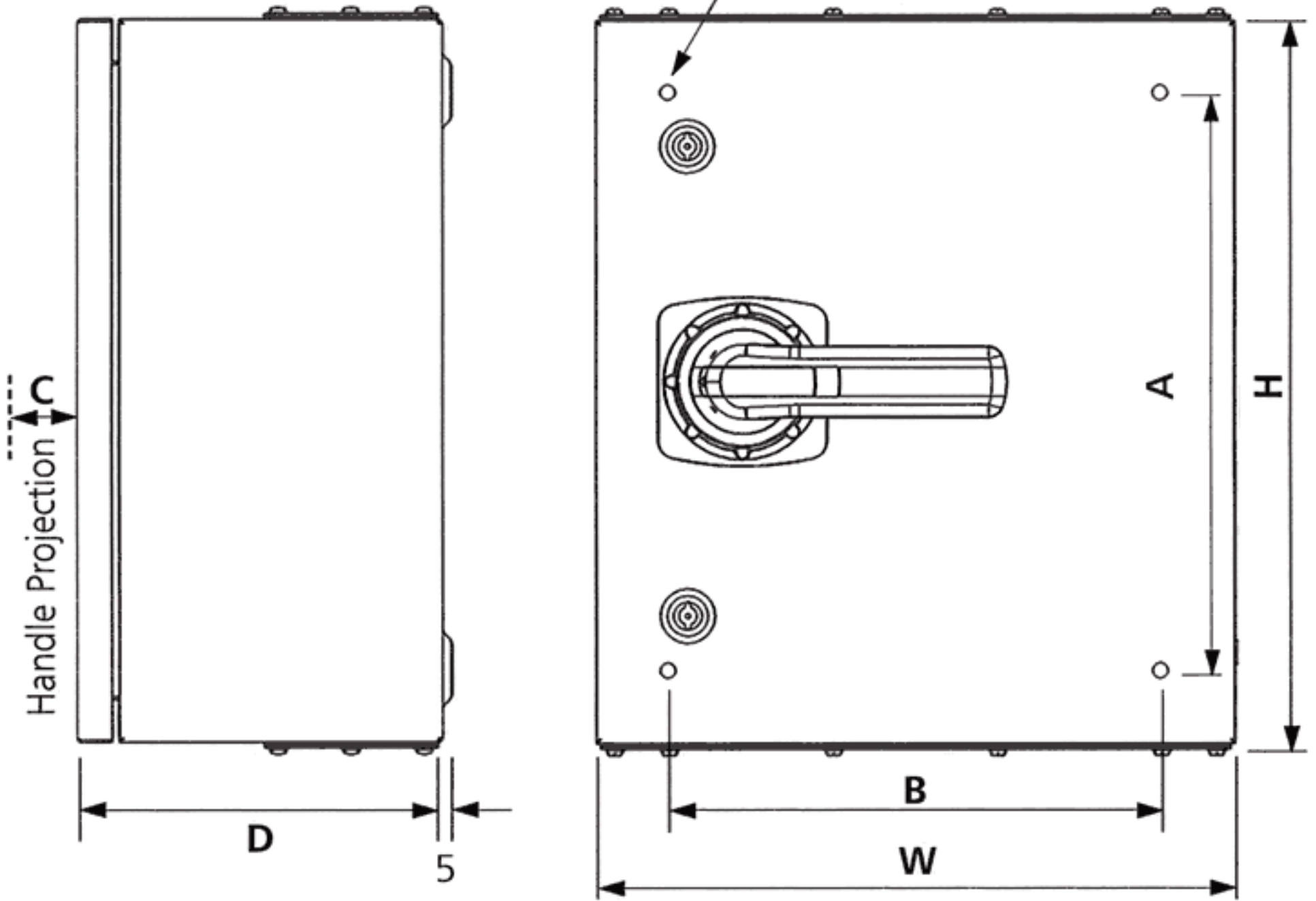


Gland Plate Thickness  
 Case Sizes 1 - 4 1.5mm  
 Case Sizes 5 - 7 2.0mm  
 Case Sizes 8 - 10 2.5mm



Ø 4 off internal mounting holes



Case Sizes

Dim	1	2	3	4	5	6	7	8	9	10
<b>H</b>	250	250	400	500	550	750	750	900	900	1000
<b>W</b>	250	300	350	350	450	450	600	600	600	750
<b>D</b>	100	200	200	200	250	275	300	300	400	300
<b>A</b>	170	170	320	420	470	670	670	820	820	920
<b>B</b>	170	220	270	270	370	370	520	520	520	670
<b>C</b>	40	67	67	67	67	67	67	67	67	67
<b>Ø</b>	6.5	6.5	8.5	8.5	8.5	8.5	8.5	10.5	10.5	10.5