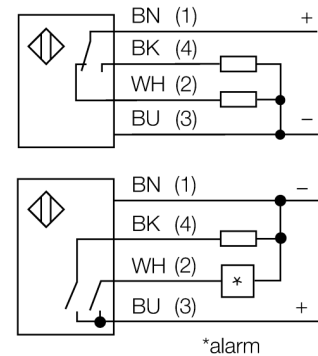


photoelectric sensor
diffuse mode sensor with fixed-field background suppression
S18SP6FF100Q

- Selectable light/dark operation or light operation with alarm function
- Male M12 x 1
- Protection classes IP67/IP69K
- Male M12 x 1

Wiring diagram

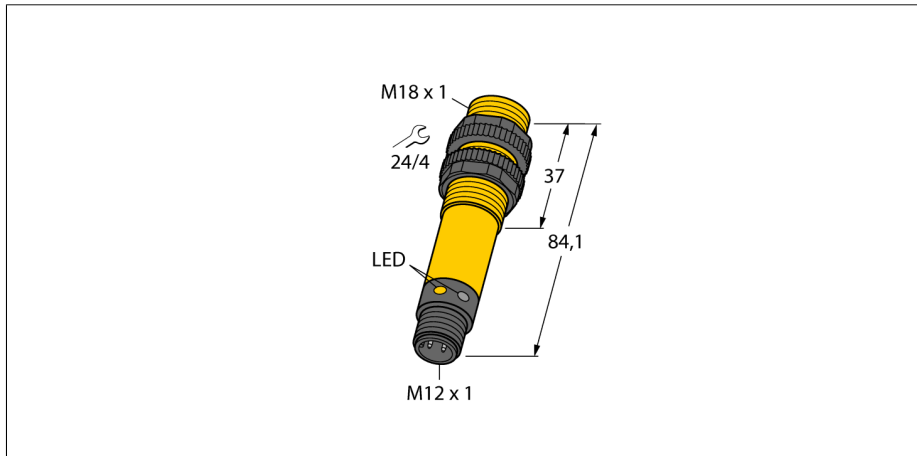
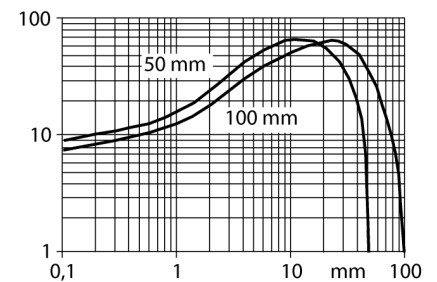


Functional principle

The emitter and receiver are incorporated in a single housing. The light reflection of the target is detected and triggers the sensor to switch. Thus the switching distance largely depends on the reflectivity of the target.

Excess gain curve

Excess gain in relation to the distance



Type	S18SP6FF100Q
Ident-No.	3030884
Operating mode	diffuse mode sensor with fixed-field background suppression
Light type	IR
Wavelength	880 nm
Range	0...100 mm
Ambient temperature	-40...+70 °C
Operating voltage	10...30VDC
DC rated operational current	≤ 150 mA
No-load current I₀	≤ 35 mA
Short-circuit protection	yes/ cyclic
Reverse polarity protection	yes
Output function	connection programmable, PNP
Switching frequency	≤ 160 Hz
Readiness delay	≤ 100 ms
Overcurrent release	> 220 mA
Design	cylindrical/threaded, S18
Dimensions	84.1 mm
Housing diameter	18 mm
Housing material	Plastic, PBT
Lens	plastic, acrylic
Connection	male, M12 x 1
Protection class	IP67 / IP69K
MTTF	448 years acc. to SN 29500 (Ed. 99) 40 °C
Operating voltage	LED green
Switching state	LED yellow
Error indication	LED green flashing
Alarm display	LED yellow flashing