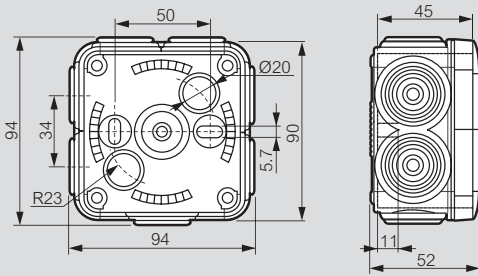


Plexo weatherproof boxes

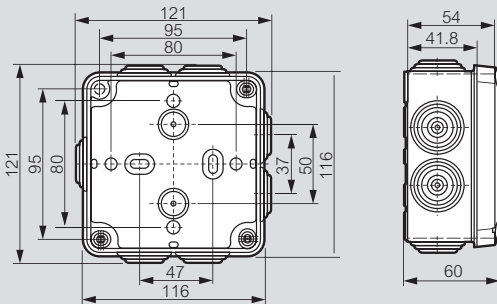
IP 55 - IK 07 and IP 66 - IK 08

■ Dimensions (mm)

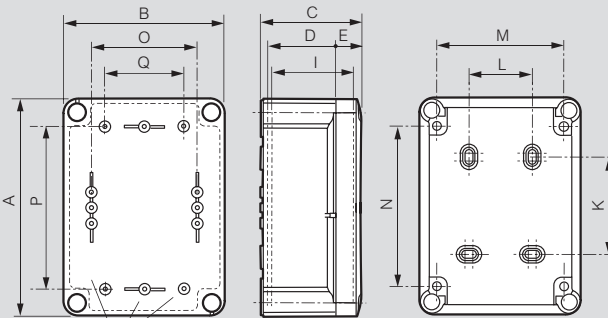
Cat. No. 0921 28



Cat. No. 0921 38



Boxes IP 55 – IK 07 and IP 66 – IK 08

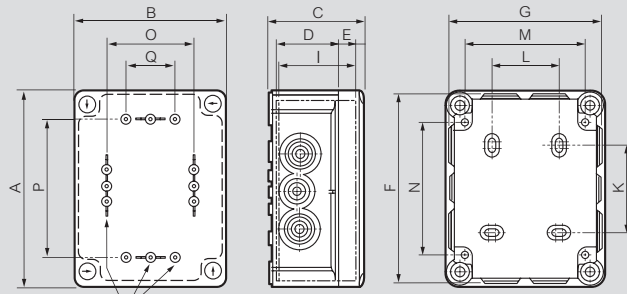


Fixings for accessories (screw Ø 4 mm)

Boxes	Dimensions (mm)						Fixing points (mm)					Fixing accessories (screw Ø 4 mm)	
Cat. Nos.	A	B	C	D	E	I	K	L	M	N	O	P	Q
0359 00 0350 07 ¹	140	85	81	56	18	67	70	-	65	120	51	106	-
0359 30 0350 13	150	150	81	56	18	67	54	70	120	103	106	106	84
0359 40 0350 17	175	130	81	56	18	67	79	50	100	128	86	131	64
0359 50/51 0350 22	200	160	94	69	18	80	104	50	130	153	116	156	94
0359 60/61 0350 28	240	190	94	69	18	80	144	80	160	193	146	196	124
0359 70/71 0350 33	290	190	94	69	18	80	194	80	160	243	146	246	122
0359 80 0350 44	332	262	132	97	27	116	220	160	222	276	200	260	150
0359 90 0350 47	382	292	132	97	27	116	270	190	252	326	230	310	150

1 : Not suitable for direct mounting of IP 2X terminals, use with DIN rail or 12 x 2 mm metal rail (Cat. No. 0048 19 p. 42)

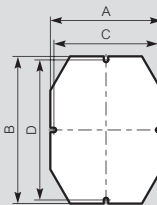
Cat. Nos. 0920 32 and 0920 42



Fixings for accessories (screw Ø 4 mm)

Boxes	Dimensions (mm)							Fixing points (mm)					Fixing accessories (screw Ø 4 mm)		
Cat. Nos.	A	B	C	D	E	I	F	G	K	L	M	N	O	P	Q
0920 32	150	150	81	56	18	67	149	149	54	70	120	103	106	106	84
0920 42	175	130	81	56	18	67	173	128	79	50	100	128	86	131	64

■ Metal mounting plates



Cat. Nos.	A (mm)	B (mm)	C (mm)	D (mm)
0358 10	114	114	106	106
0358 11	94	139	86	131
0358 12	124	164	116	156
0358 13	154	204	146	196
0358 14	154	254	146	246
0358 15	211	271	200	260
0358 16	241	321	230	310

■ IP 2X terminal acceptance² chart see p. 43

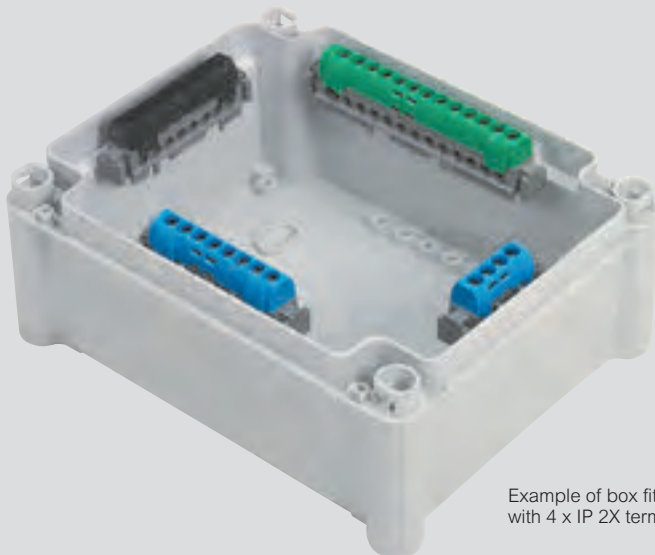
Not suitable for direct mounting on to PVC range nor 130 x 75 x 74 mm boxes

Boxes	4 way	8 way	13 way	17 way	22 way	28 way
130 x 130 x 74	x	x	-	-	-	-
155 x 110 x 74	x	x	x	-	-	-
180 x 140 x 86	x	x	x	-	-	-
220 x 170 x 86	x	x	x	x	x	-
310 x 240 x 124	x	x	x	x	x	x
360 x 270 x 124	x	x	x	x	x	x

2 : Also accepts partly shrouded terminals

■ Thickness of walls

Up to 270 x 170 box = 2 mm
Above this size = 3 mm



Example of box fitted with 4 x IP 2X terminals

Plexo weatherproof boxes

increased depth PVC range



0921 22

0350 43

Dimensions opposite and p. 41

Grey RAL 7035

Operating temperature : - 20 °C to +50 °C

PVC box and cover

Self-extinguishing : 750 °C for Cat. Nos. 0350 43 and 0922 84

960 °C for Cat. Nos. 0350 58 and 0921 22

Deep weatherproof plastic industrial equipment boxes with smooth sides

Fixing options :

- inside : 4 oblong holes at back of box
 - outside : cabling volume at 4 corners with Ø4 screws
 - with wall mounting brackets (Cat. No. 0364 08) for 310 x 240 boxes
- Option of mounting equipment on rail or on plain plate at back of box
1/4 turn opening/closing

Pack	Cat. Nos.	Weatherproof boxes – IP 55
		Nominal internal dimensions : Height x Width x Depth (mm)
		Depth 140 mm
2	0921 22	IK 07 - IP 55 220 x 170 x 140 mm - (1/4 turn cover fixings)
		Depth 154 mm
2	0350 43	IK 08 - IP 55 265 x 174 x 154 mm - (1/4 turn cover fixings with hinges)
1	0350 58	359 x 265 x 154 mm - (1/4 turn cover fixings with hinges)
		Depth 160 mm
1	0922 84	IK 08 - IP 55 310 x 240 x 160 mm - (1/4 turn cover fixings with hinges)

Accessories

Metal mounting plates

Galvanised steel - 1.5 mm thick
For PVC box size :

5	0350 90	220 x 170 mm
5	0350 92	265 x 174 mm
5	0350 93	310 x 240 mm
1	0350 94	359 x 265 mm

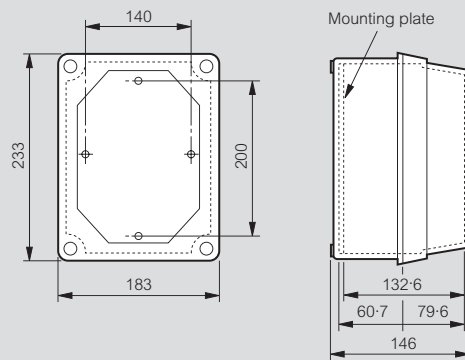
Set of 4 wall mounting brackets

1	0364 08	For PVC box size 310 x 240 mm only
---	---------	------------------------------------

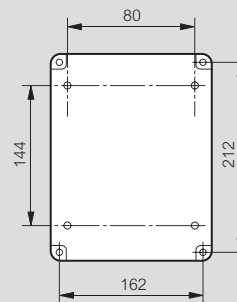
PVC boxes are not provided with side mounts for IP 2X terminals

■ Dimensions (mm)

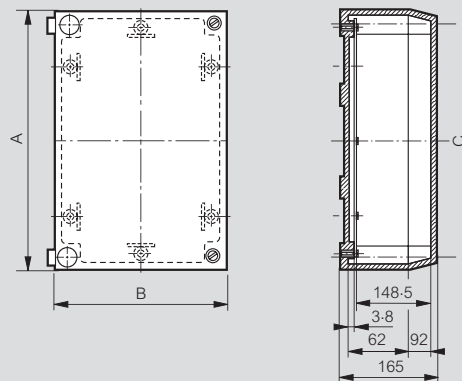
Cat. No. 0921 22



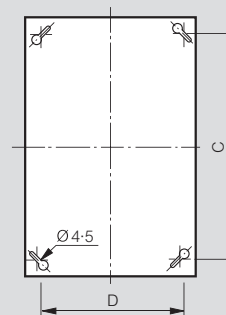
Fixing dimensions



Cat. Nos. 0350 43/58



Fixing dimensions



Cat. Nos.	Dimensions		Fixing points		Weight (kg)
	A (mm)	B (mm)	C (mm)	D (mm)	
0350 43	273	182	246	155	1.08
0350 58	367	273	340	246	1.80

Download the full file at

<http://assets.kempstoncontrols.com/doc/Legrand%20Industrial%20and%20power%20Protection%20catalogue.pdf>



KEMPSTON
CONTROLS