

Overview

- measuring mode: edges, center, width
- 30 mm
- 50 mm
- pulsed infrared diode
- Teach-in
- connector M12 8 pin, rotatable
- 55 °C
- IP 67



Picture similar



Technical data

General data

| | |
|--------------------------------|--------------------------------------|
| Type | Measuring mode: edges, center, width |
| Version | With filter for transparent objects |
| Measuring field size | 30 mm |
| Measuring distance (to object) | 50 mm |
| Measuring frequency | 500 Hz |
| Resolution | < 0.03 mm |
| Smallest object recognizable | 0.3 mm |
| Linearity error relative | < 0.3 % |
| Light source | Pulsed infrared diode |
| Wave length | 880 nm |
| Adjustment | Teach-in |

Electrical data

| | |
|------------------------------------|---------------|
| Response time | < 2 ms |
| Voltage supply range +Vs | 15 ... 28 VDC |
| Current consumption max. (no load) | 150 mA |

Electrical data

| | |
|-----------------------------|-------------------|
| Output signal | 4 ... 20 mA |
| Switching output | PNP |
| Output function | Out 1 / Alarm |
| Output current | < 100 mA |
| Interface | Analog and RS485 |
| Baud rate | 19200, adjustable |
| Reverse polarity protection | Yes, Vs to GND |

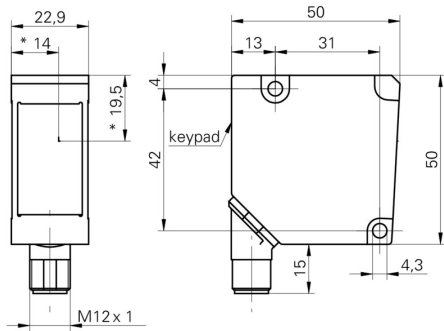
Mechanical data

| | |
|------------------|--------------------------------|
| Width / diameter | 23 mm |
| Type | Rectangular |
| Housing material | Die-cast zinc |
| Front (optics) | Glass |
| Connection types | Connector M12 8 pin, rotatable |

Ambient conditions

| | |
|-----------------------|--------------|
| Operating temperature | 0 ... +55 °C |
| Protection class | IP 67 |

Dimension drawing



- * receiver axis

Connection diagram

