

SIRCO High Withstand 2000 to 3200 A

- ▶ Functions
- ▶ References
- ▶ Characteristics
- ▶ Dimensions

Functions

SIRCO HW are load break switches especially developed for the networks with high short circuit current.

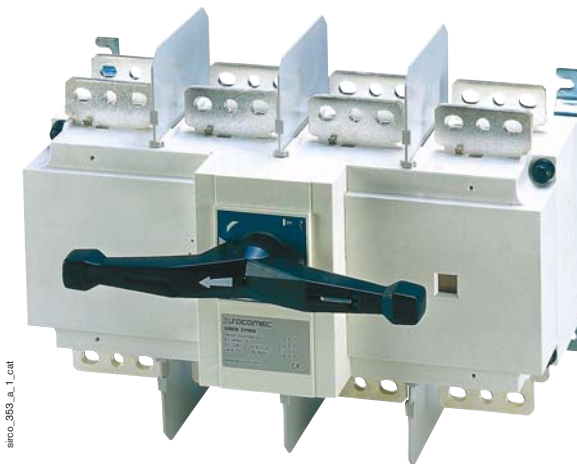
They break on and off under load and provide safety isolation for low voltage circuit.

Conformity to standards

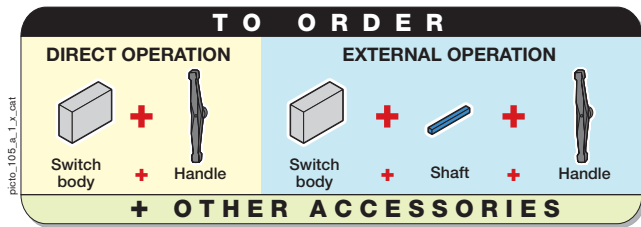
- IEC 60947-3
- EN 60947-3
- VDE 0660-107 (1992)
- NBN EN 60947-3
- BS EN 60947-3

General characteristics

- Fully visible breaking.
- High thermal and dynamic withstand: 80 kA 1s, 110 kA 0.1 s, 240 kA peak.
- Arduous utilisation categories (AC-22 and AC-23).
- Good electrical and mechanical endurance.
- High resistance to humidity (supplied "tropicalised").



sirco_383_a_1_cat



References

Rating (A)	No. of pole	Switch body	Direct front handle	Door interlocked external front handle	Shaft extensions for external handle
2000	3 P	26HW 3200	Black 2799 7012 Red 2799 7013	Black 2799 7136 Red 2799 7134	200 mm 2799 3015 320 mm 2799 3018 450 mm 2799 3019
	4 P	26HW 4200			
2500	3 P	26HW 3250			
	4 P	26HW 4250			
3200	3 P	26HW 3320			
	4 P	26HW 4320			

+ ADDITIONAL ACCESSORIES

Rating (A)	Auxiliary contacts	Terminal screens ⁽¹⁾	Inter phase barriers	Handle key interlocking accessories - Direct front operation
2000	1 st AC NO/NC changeover 3/4 P 2699 0031	3 P 2698 3200	standard	Locking using lock 2699 6027 ⁽²⁾
2500	2 nd AC NO/NC changeover 3/4 P 2699 0032	4 P 2698 4200		Locking by undervoltage AC trip coil 230 VAC 2699 9315
3200				

(1) Top / Bottom.
(2) Lock not included.

Other accessories: see "SIRCO" page A.26

SIRCO

High Withstand

2000 to 3200 A

Functions

References

▶ Characteristics

▶ Dimensions

Characteristics (according to IEC 60947-3)

Thermal current I_{th} (40°C)	2000 A	2500 A	3200 A
Rated insulation voltage U_i (V)	1000	1000	1000
Rated impulse withstand voltage U_{imp} (kV)	12	12	12

Rated operational currents I_e (A)

Rated voltage	Load duty category	A/B ⁽¹⁾	A/B ⁽¹⁾	A/B ⁽¹⁾
400 VAC	AC-21 A / AC-21 B	2000/2000	2500/2500	3200/3200
	AC-22 A / AC-22 B	2000/2000	2000/2500	2500/2500
	AC-23 A / AC-23 B	1250/1250	1250/1250	1250/1250
500 VAC	AC-21 A / AC-21 B	2000/2000	2500/2500	3200/3200
	AC-22 A / AC-22 B	1600/2000	1600/2000	2000/2000
	AC-23 A / AC-23 B	1000/1000	1000/1000	1000/1000
690 VAC ⁽²⁾	AC-20 A / AC-20 B	2000/2000	2500/2500	3200/3200
	AC-21 A / AC-21 B	2000/2000	2000/2500	2000/2500
	AC-22 A / AC-22 B	1000/1000	1000/1000	1000/1000
	AC-23 A / AC-23 B	800/800	800/800	800/800
220 VDC	DC-20 A / DC-20 B	2000/2000	2500/2500	3200/3200
	DC-21 A / DC-21 B	2000/2000	2000/2500	2000/2500
	DC-22 A / DC-22 B	1250/1600	1250/1600	1250/1600
	DC-23 A / DC-23 B	1250/1250	1250/1250	1250/1250
400 VDC	DC-20 A / DC-20 B	2000/2000	2500/2500	3200/3200
	DC-21 A / DC-21 B	2000/2000	2000/2000	2000/2000
	DC-22 A / DC-22 B	1250/1250	1250/1250	1250/1250
	DC-23 A / DC-23 B	1000 ⁽³⁾ /1000 ⁽³⁾	1000 ⁽³⁾ /1000 ⁽³⁾	1000 ⁽³⁾ /1000 ⁽³⁾
500 VDC	DC-20 A / DC-20 B	2000/2000	2500/2500	3200/3200
	DC-21 A / DC-21 B	1250/1250	1250/1250	1250/1250
	DC-22 A / DC-22 B	1250 ⁽³⁾ /1250 ⁽³⁾	1250 ⁽³⁾ /1250 ⁽³⁾	1250 ⁽³⁾ /1250 ⁽³⁾
	DC-23 A / DC-23 B	1000 ⁽³⁾ /1000 ⁽³⁾	1000 ⁽³⁾ /1000 ⁽³⁾	1000 ⁽³⁾ /1000 ⁽³⁾

Operational power in AC-23 (kW) ⁽¹⁾⁽⁴⁾	A/B	A/B	A/B
At 400 VAC without pre-break AC	710/710	710/710	710/710
At 500 VAC without pre-break AC	710/710	710/710	710/710
At 690 VAC without pre-break AC	750/750	750/750	750/750

Fuse protected short-circuit withstand (kA rms prospective)⁽⁵⁾

Prospective short-circuit (kA rms)	100	100	-
Associated fuse rating (A)	2 x 1000	2 x 1250	-

Overload capacity

Rated short-time withstand current 1s I_{cw} (kA rms)	80	80	80
Rated short-time withstand current 0.1s I_{cw} (kA rms)	110	110	110
Rated peak withstand current (kA peak) ⁽⁵⁾	230	230	230

Connection

Minimum Cu busbar section (mm ²)	3 x 100 x 5	4 x 100 x 5	4 x 100 x 5
Maximum Cu busbar width (mm)	125	125	125
Min. tightening torque(Nm)	40	40	40

Mechanical characteristics

Endurance (number of operating cycles)	3000	2500	2500
Operating effort (Nm)	60	60	60
Weight of 3 P switch (kg)	31	32	42
Weight of 4 P switch (kg)	40	40	49

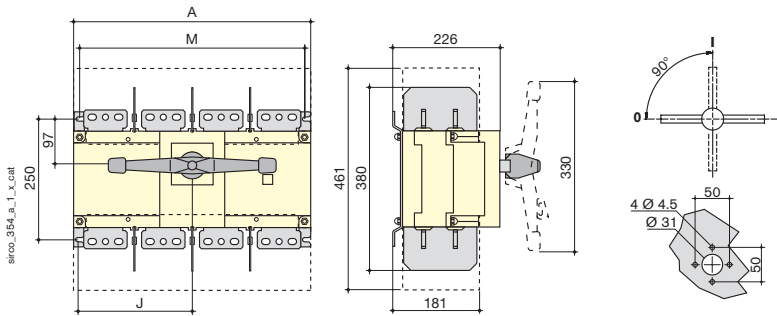
(1) A/B: Category with index A= frequent operation - Category with index B= infrequent operation. (2) With terminal shrouds or phase barrier. - (3) 4-pole device with 2 pole in series by polarity. (4) The power value is given for the information only, the current values vary from one manufacturer to another. (5) For a rated operating voltage $U_e=400$ VAC.



Dimensions

• **SIRCO 2000 to 3200 A**

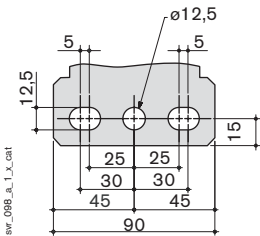
Direct front operation



Rating (A)	Overall dimensions		Switch body		Switch mounting	
	A 3p.	A 4p.	J 3p.	J 4p.	M 3p.	M 4p.
2000 ... 3200	372	492	173.5	233.5	347	467

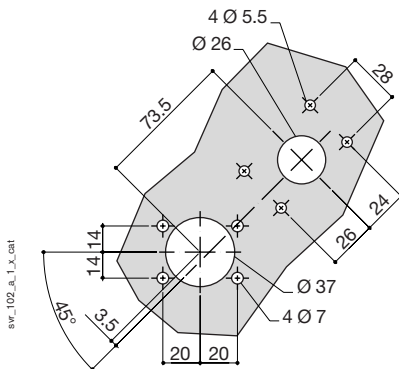
► Connection terminals

• **2000 to 3200 A**



► Door drilling

• **With RONIS EL11 AP lock**



• **With CASTELL K lock**

