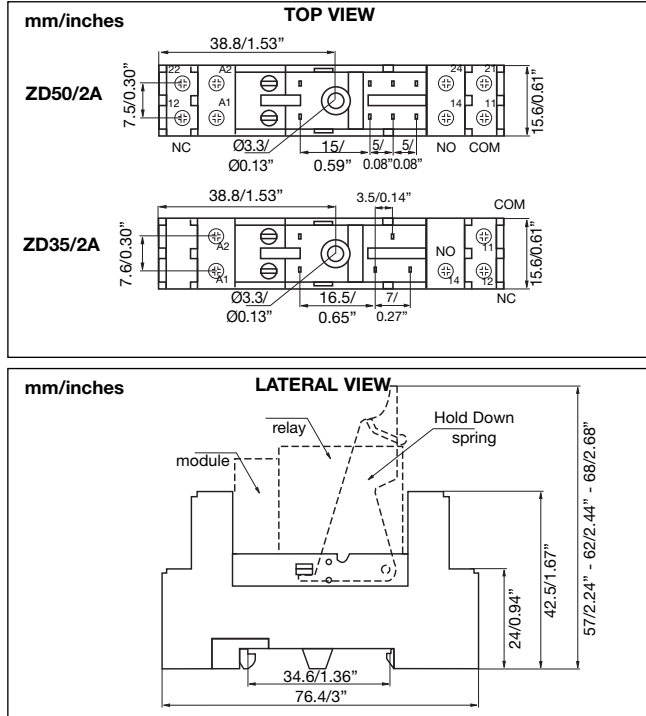
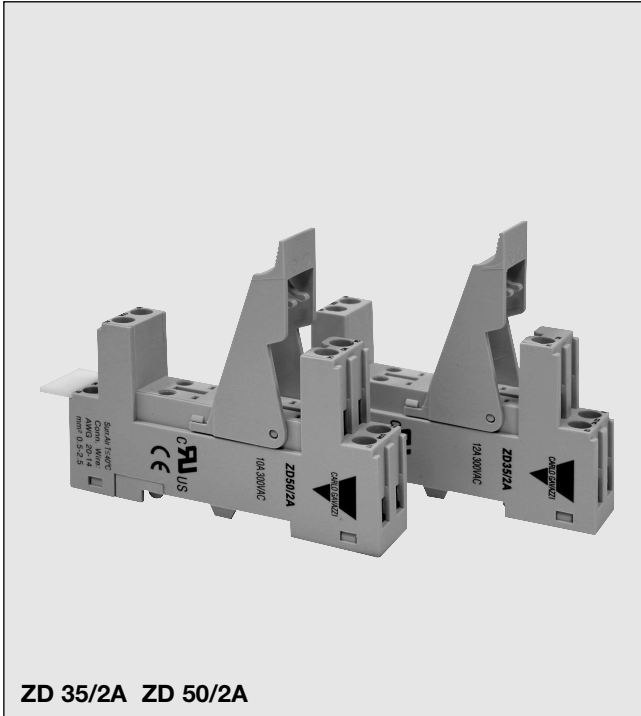


Sockets for PCB Relays

ZD 35/2A ZD 50/2A



General data

Plastic Material	PA66 +GF - V2
Contact Material	Cu Ni
Contact surface	5µm tin plated
Terminals	8µm zinc plated steel
Screws	5µm nickel plated 8.8 steel
Ratings at 300VAC	12A (ZD 35/2A) 10A x 2 (ZD 50/2A)
UL Rating 300 VAC	12A (ZD 35/2A) 10A x 2 (ZD 50/2A)
Operating temp.	-25° to +85°C (-13° to +185°F)
Standard colour	RAL 7035 / Pantone Grey 1C

Insulation voltage	
Between Coil and Contacts	4000V
Between Contacts	2500V
Creepage and Clearance	Gr.C250, VDE 0110b / 2.79
Maximum Screw torque	1Nm
Max Wire section	
Flex / compact wire	AWG 20-14 / 0.5÷2.5mm ² (0.0007sq.inch ÷ 0.003sq.inch)
Cable End	2 x 1.5mm ² (0.002sq.inch)
Terminal Protection degree	IP 20 (EN60529)
Approvals	CE, UL, cULus

Box content: 20 sockets, 20 labels
Min Orderable Q.ty: 1box (20 pieces)

Box size: W 185 x D 160 x H 50 Weight: ~800g
(W 7.28 x D 6.30 x H 1.97) inches Weight: ~28.2oz

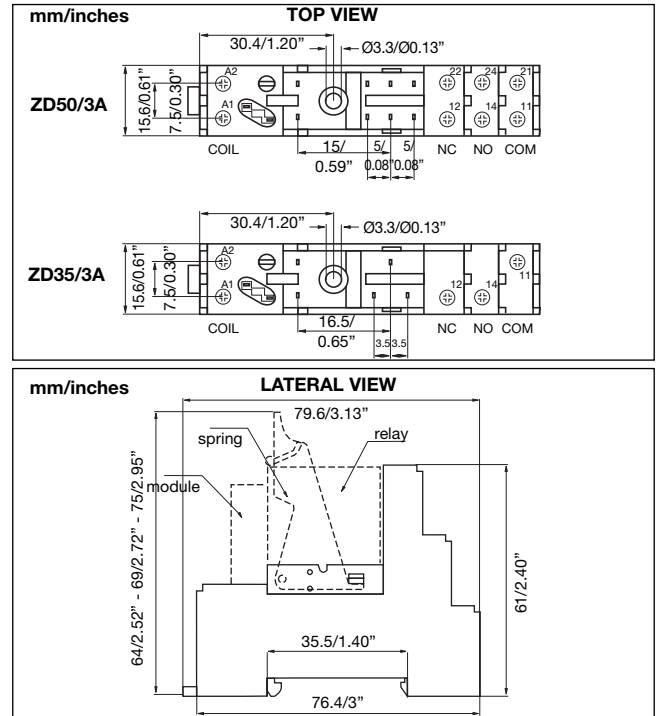
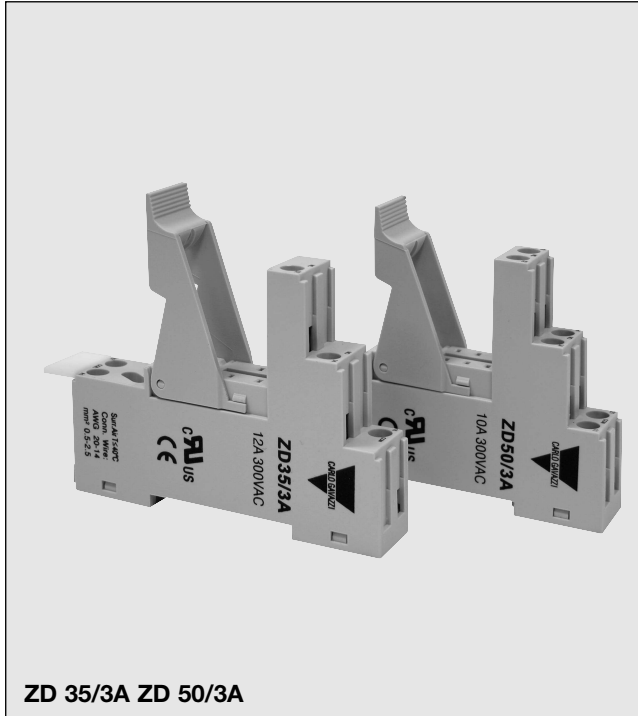
Optional Accessories (to be ordered separately if required)

Labels	6.73.00.61.3	Min. Orderable Q.ty: 1 bag (20 pieces)
Modules	See related list page xxx	Detail on page XXX
Hold Down Spring	Selection table below	Detail on page XXX

Relay Type	Socket P.N.	Hold Down Spring	Relay Type	Socket P.N.	Hold Down Spring
MZ B 100/001 5/10A	ZD 50/3A	SZD 25	LC 100/001 16A	ZD 50/3A	SZD 20
MZ T 100/001 5/10A			LC 200/002		
MZ 100/001 16A			ZD 50/3A	SZD 15	M25 100/001 16A
MZ 200/002					M25 200/002
MZ 100/001 5/10A (except B/T version)	ZD 35/3A	SZD 25	M25100/001 10/12A	ZD 35/3A	SZD 15
LC 100/001 10A	ZD 35/3A	SZD 20	M15B	ZD 50/3A	SZD 15
			M15M	ZD 35/3A	SZD 15

Sockets for PCB Relays

ZD 35/3A ZD 50/3A



General data

Plastic Material	PA66 +GF - V2
Contact Material	Cu Ni
Contact surface	5µm tin plated
Terminals	8µm zinc plated steel
Screws	5µm nickel plated 8.8 steel
Ratings at 300VAC	12A (ZD 35/3A) 10A x 2 (ZD 50/3A)
UL Rating 300 VAC	12A (ZD 35/3A) 10A (ZD 50/3A)
Operating temp.	-25° to +85°C (-13° to +185°F)
Standard colour	RAL 7035 / Pantone Grey1C

Insulation voltage	
Between Coil and Contacts	4000V
Between Contacts	2500V
Creepage and Clearance	Gr.C250, VDE 0110b / 2.79
Maximum Screw torque	1Nm
Max Wire section	
Flex / compact wire	AWG 20-14 / 0.5÷2.5mm ² (0.0007sq.inch ÷ 0.003sq.inch)
Cable End	2 x 1.5mm ² (0.002sq.inch)
Terminal Protection degree	IP 20 (EN60529)
Approvals	CE, UL, cUL

Box content: 20 sockets, 20 labels
 Min Orderable Q.ty: 1box (20 pieces)

Box size: (W 185 x D 165 x H 70) mm Weight: ~950g
 (W 7.28 x D 6.50 x H 2.75) inches Weight: ~33,5oz

Optional Accessories (to be ordered sepately if required)

Labels	6.73.00.61.3	Min. Orderable Q.ty: 1 bag (20 pieces)
Modules	See related list page xxx	Details on page XXX
Hold Down Spring	Selection table below	Details on page XXX

Relay Type	Socket P.N.	Hold Down Spring	Relay Type	Socket P.N.	Hold Down Spring
MZ B 100/001 5/10A MZ T 100/001 5/10A MZ 100/001 16A MZ 200/002	ZD 50/3A	SZD 25	LC 100/001 16A LC 200/002	ZD 50/3A	SZD 20
MZ 100/001 5/10A (except B/T version)	ZD 35/3A	SZD 25	M25 100/001 16A M25 200/002	ZD 50/3A	SZD 15
LC 100/001 10A	ZD 35/3A	SZD 20	M25100/001 10/12A	ZD 35/3A	SZD 15
			M15B	ZD 50/3A	SZD 15
			M15M	ZD 35/3A	SZD 15