



CONTACTOR, AC-3 30 KW/400 V, AC 24 V,  
50 HZ, 3-POLE, SIZE S3, SCREW CONNECTION

### General technical data:

<b>product brand name</b>		SIRIUS
<b>Size of contactor</b>		S3
<b>Protection class IP / on the front</b>		IP00
<b>Degree of pollution</b>		3
<b>Installation altitude / at height above sea level / maximum</b>	m	2,000
<b>Ambient temperature</b>		
• during operation	°C	-25 ... +60
<b>Mechanical service life (switching cycles)</b>		
• of the contactor / typical		10,000,000
• of the contactor with added auxiliary switch block / typical		10,000,000
• of the contactor with added electronics-compatible auxiliary switch block / typical		5,000,000

### Main circuit:

<b>Number of NC contacts / for main contacts</b>		0
<b>Number of NO contacts / for main contacts</b>		3
<b>Operating current</b>		
• at AC-1 / up to 690 V		
• at ambient temperature 40 °C / Rated value	A	100
• at ambient temperature 60 °C / Rated value	A	90

• at AC-3 / at 400 V / Rated value	A	65
• at AC-4 / at 400 V / Rated value	A	55
<b>Operating current / for <math>\geq</math> 200000 operating cycles / at AC-4</b>		
• at 400 V / Rated value	A	28
• at 690 V / Rated value	A	20
<b>Operating current</b>		
• with 1 current path / at DC-1		
• at 24 V / Rated value	A	90
• at 110 V / Rated value	A	4.5
• with 2 current paths in series / at DC-1		
• at 24 V / Rated value	A	90
• at 110 V / Rated value	A	90
• with 3 current paths in series / at DC-1		
• at 24 V / Rated value	A	90
• at 110 V / Rated value	A	90
<b>Operating current</b>		
• with 1 current path / at DC-3 / at DC-5		
• at 24 V / Rated value	A	40
• at 110 V / Rated value	A	2.5
• with 2 current paths in series / at DC-3 / at DC-5		
• at 24 V / Rated value	A	90
• at 110 V / Rated value	A	90
• with 3 current paths in series / at DC-3 / at DC-5		
• at 24 V / Rated value	A	90
• at 110 V / Rated value	A	90
<b>Operating power</b>		
• at AC-1		
• at 400 V / Rated value	kW	59
• at AC-2		
• at 400 V / Rated value	kW	30
• at AC-3		
• at 400 V / Rated value	kW	30
• at 500 V / Rated value	kW	37
• at 690 V / Rated value	kW	45
• at AC-4		
• at 400 V / Rated value	W	30,000
<b>Operating power / for <math>\geq</math> 200000 operating cycles / at AC-4</b>		
• at 400 V / Rated value	kW	15.1
• at 690 V / Rated value	kW	18.6

<b>Active power loss / at AC-3 / at 400 V / for rated value of the operating current / per conductor</b>	W	4.6
<b>Control circuit/ Control:</b>		
<b>Type of voltage / of the control supply voltage</b>		AC
<b>Control supply voltage</b> • with AC / at 50 Hz / Rated value	V	24
<b>Operating range factor control supply voltage rated value / of the magnet coil</b> • with AC / at 50 Hz		0.8 ... 1.1
<b>Apparent pick-up power / of the magnet coil / with AC</b>	V·A	218
<b>Apparent holding power / of the magnet coil / with AC</b>	V·A	21
<b>Inductive power factor</b> • with closing power of the coil • with the holding power of the coil		0.61 0.26
<b>Auxiliary circuit:</b>		
<b>Contact reliability / of the auxiliary contacts</b>		1 faulty switching per 100 million (17 V, 1 mA)
<b>Number of NC contacts / for auxiliary contacts / instantaneous contact</b>		0
<b>Number of NO contacts / for auxiliary contacts / instantaneous contact</b>		0
<b>Operating current</b> • at AC-12 / maximum • at AC-15 • at 230 V / Rated value • at 400 V / Rated value	A A A	10 6 3
<b>Operating current / at DC-12</b> • at 60 V / Rated value • at 110 V / Rated value • at 220 V / Rated value	A A A	6 3 1
<b>Operating current / at DC-13</b> • at 24 V / Rated value • at 60 V / Rated value • at 110 V / Rated value • at 220 V / Rated value	A A A A	10 2 1 0.3
<b>Short-circuit:</b>		
<b>Design of the fuse link</b> • for short-circuit protection of the auxiliary switch / required • for short-circuit protection of the main circuit • with type of assignment 1 / required		fuse gL/gG: 10 A  fuse gL/gG: 250 A

- with type of assignment 2 / required

fuse gL/gG: 125 A

#### Installation/ mounting/ dimensions:

<b>Mounting type</b>		screw and snap-on mounting onto 35 mm and 75 mm standard mounting rail
<b>Mounting type / Side-by-side mounting</b>		Yes
<b>Width</b>	mm	70
<b>Height</b>	mm	146
<b>Depth</b>	mm	139
<b>Spacing required / for grounded parts</b>	mm	6

#### Connections/ terminals:

<b>Design of the electrical connection</b>		
<ul style="list-style-type: none"> <li>• for main current circuit</li> </ul>		screw-type terminals
<ul style="list-style-type: none"> <li>• for auxiliary and control current circuit</li> </ul>		screw-type terminals
<b>Type of connectable conductor cross-section</b>		
<ul style="list-style-type: none"> <li>• for main contacts           <ul style="list-style-type: none"> <li>• solid</li> </ul> </li> </ul>		2x (2.5 ... 16 mm <sup>2</sup> )
<ul style="list-style-type: none"> <li>• finely stranded           <ul style="list-style-type: none"> <li>• with core end processing</li> </ul> </li> </ul>		2x (2.5 ... 35 mm <sup>2</sup> )
<ul style="list-style-type: none"> <li>• without core end processing</li> </ul>		2x (10 ... 35 mm <sup>2</sup> )
<ul style="list-style-type: none"> <li>• stranded</li> </ul>		2x (10 ... 50 mm <sup>2</sup> )
<ul style="list-style-type: none"> <li>• for AWG conductors / for main contacts</li> </ul>		2x (10 ... 1/0)
<ul style="list-style-type: none"> <li>• for auxiliary contacts           <ul style="list-style-type: none"> <li>• solid</li> </ul> </li> </ul>		2x (0.5 ... 1.5 mm <sup>2</sup> ), 2x (0.75 ... 2.5 mm <sup>2</sup> ), max. 2x (0.75 ... 4 mm <sup>2</sup> )
<ul style="list-style-type: none"> <li>• finely stranded           <ul style="list-style-type: none"> <li>• with core end processing</li> </ul> </li> </ul>		2x (0.5 ... 1.5 mm <sup>2</sup> ), 2x (0.75 ... 2.5 mm <sup>2</sup> )
<ul style="list-style-type: none"> <li>• for AWG conductors / for auxiliary contacts</li> </ul>		2x (20 ... 16), 2x (18 ... 14), 1x 12

#### Certificates/ approvals:

General Product Approval				Functional Safety / Safety of Machinery	Declaration of Conformity
 CCC	 CSA		 UL	<a href="#">Type Examination</a>	 EG-Konf.
Test Certificates		Shipping Approval			
<a href="#">Special Test Certificate</a>	 ABS	 GL	 LRS	 RINA	 RMRS
other					
<a href="#">Confirmation</a>	<a href="#">other</a>	<a href="#">Environmental Confirmations</a>			

#### Further information:

**Information- and Downloadcenter (Catalogs, Brochures,...)**

<http://www.siemens.com/industrial-controls/catalogs>

**Industry Mall (Online ordering system)**

<http://www.siemens.com/industrymall>

**Cax online generator**

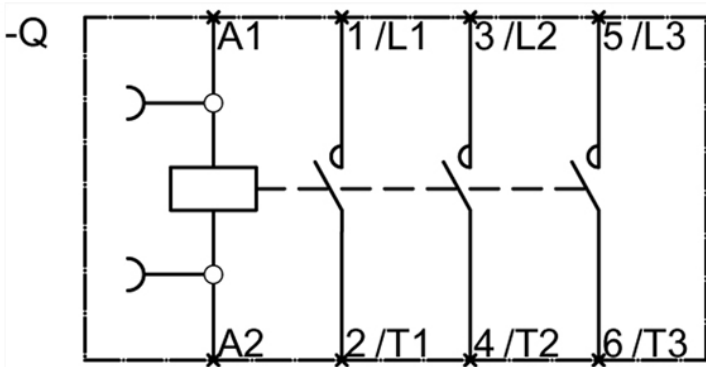
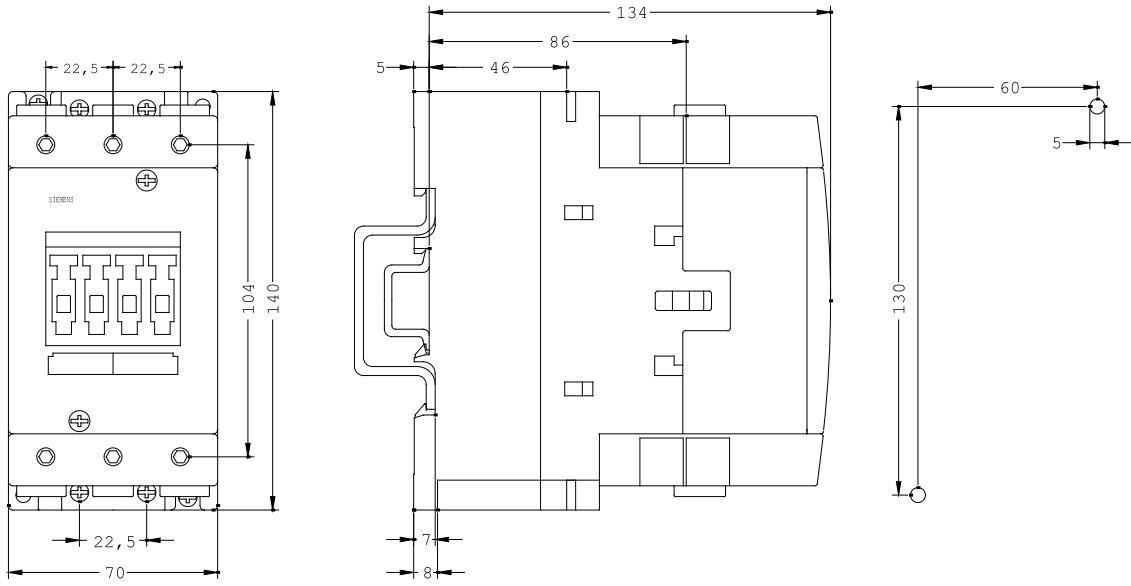
<http://www.siemens.com/cax>

**Service&Support (Manuals, Certificates, Characteristics, FAQs,...)**

<http://support.automation.siemens.com/WWW/view/en/3RT1044-1AB00/all>

**Image database (product images, 2D dimension drawings, 3D models, device circuit diagrams, ...)**

[http://www.automation.siemens.com/bilddb/cax\\_en.aspx?mlfb=3RT1044-1AB00](http://www.automation.siemens.com/bilddb/cax_en.aspx?mlfb=3RT1044-1AB00)



last change:

Nov 22, 2014