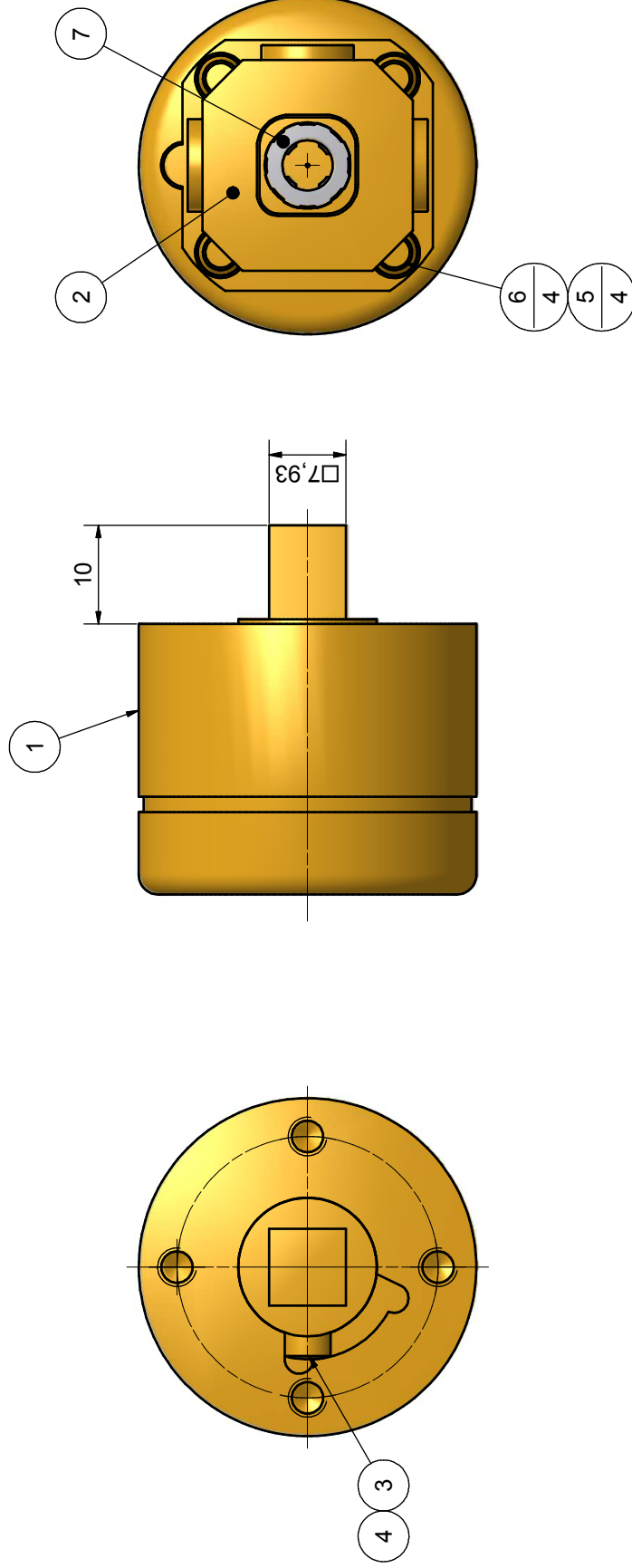


Prototype Development Series

Parts List

ITEM	QTY	PART NUMBER	DESCRIPTION
1	1	005768	FS Lock Body For Merlin Gerin
2	1	006864M	FS Spigot For Merlin Gerin
3	1	000091	Spigot Plunger
4	1	000095	Spigot Plunger Spring
5	4	000096	Body Plunger Spring
6	4	000098	Body Plunger
7	1	006768	End Code Location Bush
8	2	FA000767	M4 x 12 Lg. C/Snk Screw - St/Steel



Installation Instructions

- 1; Lock & Key Supplied by Castell, Adaptor Supplied by Merlin Gerin.
- 2; Fit Adaptor to Lock using 2 off Screws supplied (item 8).
- 3; For Mounting Details, refer to MG Masterpact Installation Instructions.
- 4; Use with Castell Key Type PDS00173.

★ Denotes Safety Critical Dimension

UNLESS OTHERWISE SPECIFIED, TOLERANCE TO BE:		MATERIAL:	See Parts List
METRIC		FINISH:	
GENERAL	± 0.13	SURFACE UNLESS OTHERWISE STATED	
ANGULAR	± 0.30°	TEXTURE; TO BE Ra 1.6um, REF: BS 1134-1972	
DO NOT SCALE IF IN DOUBT-ASK!		FS Breaker Lock (CL1019)	
REF; STANDARD BS 8888 2002		Merlin Gerin Masterpact - 65° C/W	
ISSUE	ECN	DATE	CHECKED
7	3334	16/11/2010	bboustlead
APPROVED		APPROVED	
bboustlead		bboustlead	
DRAWN		M.L.No	
Date		23/01/2010	
Scale		2:1	
1st Angle		PDS01604	
ISSUE		7	

Castell
 Castell Safety International Ltd
 217 Kingsbury Road
 London NW9 9PQ
 www.castell.com
 t: 020 8200 1200 f: 020 8205 0055

Copyright of this drawing is reserved by Castell Safety International Ltd. No part of this drawing may be reproduced, stored in a retrieval system, or transmitted in any form or by any means, electronic, mechanical, photocopying, recording, or by any information storage and retrieval system, without the prior written permission of Castell Safety International Ltd, London.

Declaration of Disclosure
 I hereby declare that this drawing is the property of Castell Safety International Ltd. I agree to release Castell Safety International Ltd, London, from any liability arising from the use of this drawing.