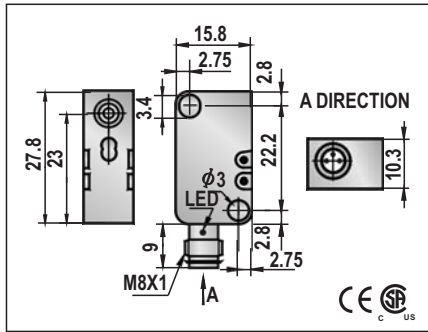


Q16x28x10、Q42、Q25s

DC INDUCTIVE PROXIMITY SWITCH SQUARE CONNECTOR TYPE

DC INDUCTIVE PROXIMITY SWITCH SQUARE CONNECTOR TYPE

Q16x28x10	
●	○
1 mm	2 mm
PBT RESIN	
●	



10-30VDC
<10%
<10mA
200mA
<0.01mA
-
-
<1.5V
2KHZ
0.1ms/0.1ms
<15%(Sr)
<1.0%(Sr)
IP67
-25°C - +75°C
<10%(Sr)
YES
220mA
<10ms
RFI>3V/m / EFT>1KV / ESD>4KV (contact)
IEC 60947-5-2,Part 7.4.1 / IEC 60947-5-2,Part 7.4.2
PBT

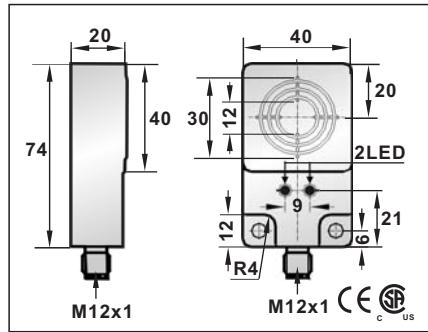
FQP1-2801N-ACU3	29	FQP2-2802N-ACU3	
FQP1-2801N-BCU3	29	FQP2-2802N-BCU3	
FQP1-2801P-ACU3	30	FQP2-2802P-ACU3	
FQP1-2801P-BCU3	30	FQP2-2802P-BCU3	
FQP1-2801C-ACU3	39	FQP2-2802C-ACU3	
FQP1-2801C-BCU3	77	FQP2-2802C-BCU3	

Approx.30 g	
-------------	--

Note:

Coming Soon : Part numbers with underline
 In Preparation: Part numbers with a line through the middle

Q42	
●	
20 mm	
ABS RESIN	
●	



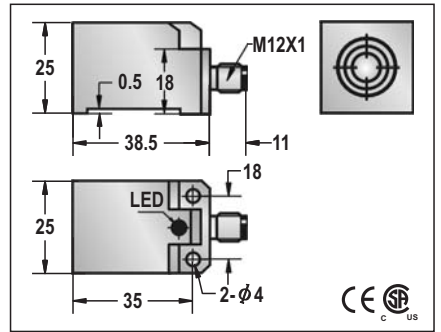
10-30VDC
<10%
<10mA
200mA
<0.01mA
-
-
<1.5V
500HZ
0.5ms/0.5ms
<15%(Sr)
<1.0%(Sr)
IP67
-25°C - +70°C
<10%(Sr)
YES
220mA
<10ms
RFI>3V/m / EFT>1KV / ESD>4KV (contact)
IEC 60947-5-2,Part 7.4.1 / IEC 60947-5-2,Part 7.4.2
POM

<u>FQP1-2020N-ARU4T</u>	33
<u>FQP1-2020N-BRU4T</u>	34
<u>FQP1-2020P-ARU4T</u>	35
<u>FQP1-2020P-BRU4T</u>	36

Please see Page 18 for details and specifications of DC 2-Wire models on this page.

Approx.110 g

Q25s	
●	
10 mm	
PBT RESIN	
●	



10-30VDC or 10-55VDC
<10%
<10mA or <20mA
200mA
<0.01mA
-
-
<1.5V or <2.0V
300HZ
0.5ms/0.5ms
<15%(Sr)
<1.0%(Sr)
IP67
-25°C - +75°C
<10%(Sr)
YES
220mA
<10ms
RFI>3V/m / EFT>1KV / ESD>4KV (contact)
IEC 60947-5-2,Part 7.4.1 / IEC 60947-5-2,Part 7.4.2
PBT

<u>FQP1-2510N-ARS4F</u>	33
<u>FQP1-2510N-BRS4F</u>	34
<u>FQP1-2510P-ARS4F</u>	35
<u>FQP1-2510P-BRS4F</u>	36
<u>FQP1-2510P-SRS4F</u>	38
<u>FQP1-2510N-SRS4F</u>	37
<u>FQP1-2510C-ARS4F</u>	40
<u>FQP1-2510C-BRS4F</u>	78
<u>HQP1-2510N-ARS4F</u>	33
<u>HQP1-2510N-BRS4F</u>	34
<u>HQP1-2510P-ARS4F</u>	35
<u>HQP1-2510P-BRS4F</u>	36

1. Voltage Drop:<1.5V(10-30V),<2V(10-55V).
2. 10-55V type: No Load Current < 20mA.

Approx.80 g
