

22MM METAL ROUND COMPLETE UNIT COMBINATION: ILLUMINATED PUSHBUTTON MOMENTARY CONTACT TYPE WITH FLAT BUTTON NON-ILLUMINATED WITH LAMP HOLDER BA 9S WITHOUT LAMP SCREW TERMINAL, 1NO WITH HOLDER GREEN !!! Phased-out product !!! SIRIUS ACT 3SU1 is successor Preferred successor type is >>3SU1051-0AB40-0AA0 + 3SU1550-0AA10-0AA0 + 3SU1400-1AA10-1BA0<<

design of the product	Complete unit round
Enclosure	
shape of the enclosure front	round
material of the enclosure	metal
number of command points	1
Actuator	
design of the actuating element	Illuminated pushbutton
principle of operation of the actuating element	momentary contact type
product extension optional light source	Yes
color of the actuating element	green
material of the actuating element	plastic
shape of the actuating element	Flat pushbutton
type of unlocking device	without
number of switching positions	2
Front ring	
product component front ring	Yes
design of the front ring	Standard
material of the front ring	metal
color of the front ring	silver
Holder	
material of the holder	Metal
Contact block/ lampholder	
socket design	BA 9s without lamp
number of lampholders	1
number of switching elements	1
General technical data	
product function positive opening	No
product component light source	No
type of voltage of the operating voltage	AC/DC
protection class IP	IP67
vibration resistance acc. to IEC 60068-2-6	20 ... 200 Hz: 5g
operating frequency maximum	1 000 1/h
mechanical service life (switching cycles) typical	3 000 000
reference code acc. to IEC 81346-2	S
• operating voltage rated value	5 ... 400 V
Auxiliary circuit	
number of NC contacts for auxiliary contacts	0

number of NO contacts for auxiliary contacts	1
number of CO contacts for auxiliary contacts	0
operational current at AC-12	
• at 24 V rated value	10 A
• at 48 V rated value	10 A
• at 110 V rated value	10 A
• at 230 V rated value	10 A
• at 400 V rated value	10 A
operational current at AC-15	
• at 24 V rated value	6 A
• at 48 V rated value	6 A
• at 110 V rated value	6 A
• at 230 V rated value	6 A
• at 400 V rated value	3 A
operational current at DC-12	
• at 24 V rated value	10 A
• at 48 V rated value	5 A
• at 110 V rated value	2.5 A
• at 230 V rated value	1 A
operational current at DC-13	
• at 24 V rated value	3 A
• at 48 V rated value	1.5 A
• at 110 V rated value	0.7 A
• at 230 V rated value	0.3 A

Connections/ Terminals

type of electrical connection	screw-type terminals
tightening torque of the screws in the bracket	1.4 ... 1.6 N·m

Ambient conditions

• ambient temperature during operation	-25 ... +60 °C
• ambient temperature during storage	-40 ... +80 °C
environmental category during operation acc. to IEC 60721	3K6

Installation/ mounting/ dimensions

fastening method	front mounting
shape of the installation opening	round
mounting diameter	22 mm
mounting height	12 mm
installation width	28.5 mm
installation depth	49 mm

Accessories

product component holder for 3 switching elements	Yes
--	-----

Certificates/ approvals

General Product Approval	Declaration of Conformity
---------------------------------	----------------------------------



[Miscellaneous](#)



Marine / Shipping



[Confirmation](#)

Further information

Information- and Downloadcenter (Catalogs, Brochures,...)

<https://www.siemens.com/ic10>

Industry Mall (Online ordering system)

<https://mall.industry.siemens.com/mall/en/en/Catalog/product?mlfb=3SB3606-0AA41>

Cax online generator

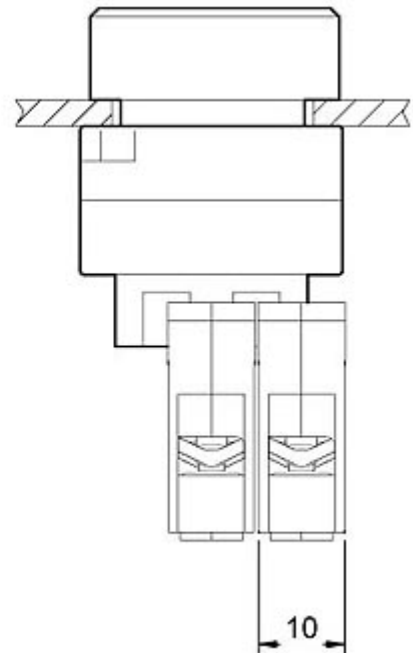
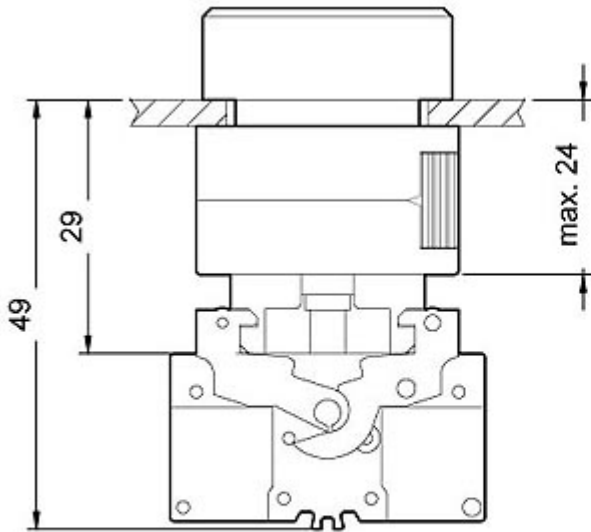
<http://support.automation.siemens.com/WWW/CAXorder/default.aspx?lang=en&mlfb=3SB3606-0AA41>

Service&Support (Manuals, Certificates, Characteristics, FAQs,...)

<https://support.industry.siemens.com/cs/ww/en/ps/3SB3606-0AA41>

Image database (product images, 2D dimension drawings, 3D models, device circuit diagrams, EPLAN macros, ...)

http://www.automation.siemens.com/bilddb/cax_de.aspx?mlfb=3SB3606-0AA41&lang=en



last modified:

5/15/2020 