

PJ31 'J' Type feeder pillar fuse link



Product description

Eaton's Bussmann® series PJ31 'J' Type feeder pillar fuse links are designed to be used with wedge type fuse carriers on BS applications. These fuse links will be used by Electrical Authorities in distribution pillars, open type substation boards, heavy duty cut-outs and underground connection boxes. They can also be fitted in pole or wall mounted outdoor service fuse links.

Features

- BS88-2
- gU Characteristics
- Ideal for Utility applications
- Excellent cable protection

Catalogue symbol:

- 355PJ31-7
- 400PJ31-7

Technical data:

- Rated voltage: 415 V a.c.
- Rated current: 355 and 400 A
- Breaking capacity: 80 kA a.c.
- Breaking range and utilisation category: gU

Standards/approvals:

- ASTA certified
- Tested to BS88-2 Fuse system I (previously known as BS88-5)

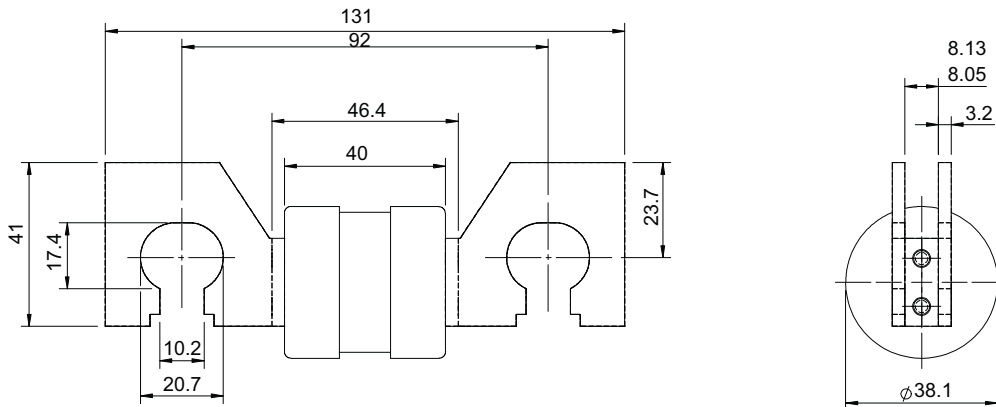
Packaging:

- MOQ: 10

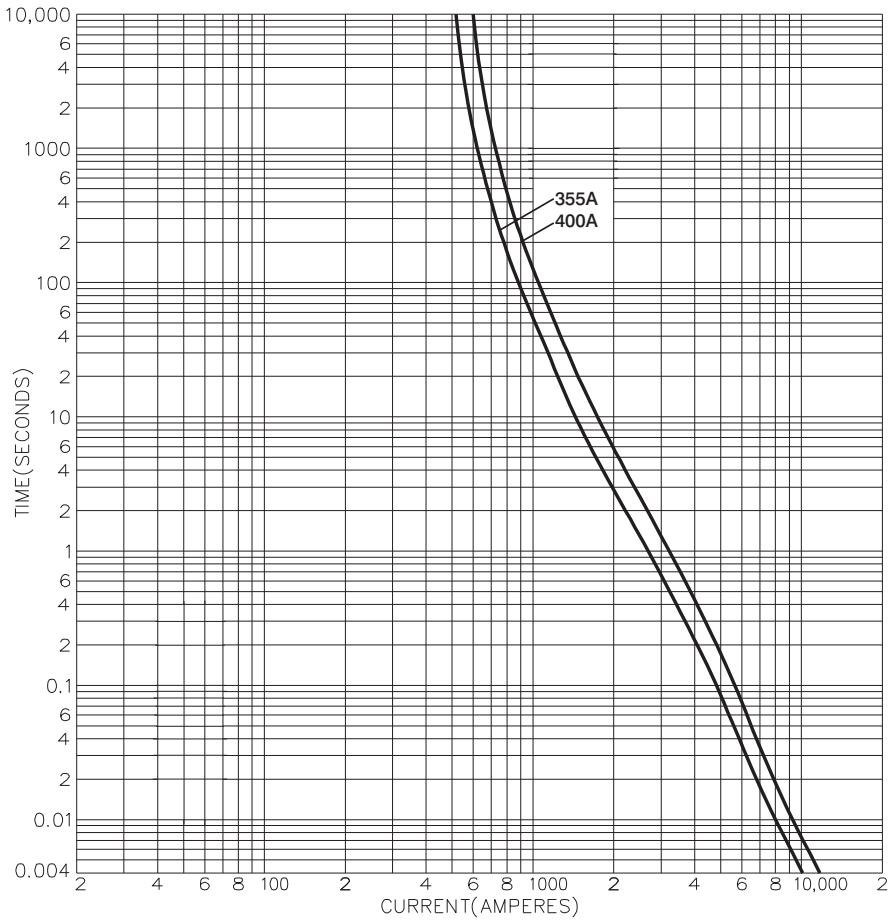
Table 1. Technical data

Part number	Rated voltage	Rated current (Amps)	Energy integrals I ² t (A ² S)			Watts loss		Product Class
			Pre-arcing	Total at 240 V	Total at 415 V	W		
355PJ31-7	415 V a.c.	355	360,000	610,000	865,000	26		gU
400PJ31-7	415 V a.c.	400	475,000	810,000	1,150,000	31		gU

Dimensions - mm



Time current curve



Changes to the products, to the information contained in this document, and to prices are reserved; so are errors and omissions. Only order confirmations and technical documentation by Eaton is binding. Photos and pictures also do not warrant a specific layout or functionality. Their use in whatever form is subject to prior approval by Eaton. The same applies to Trademarks (especially Eaton, Moeller, and Cutler-Hammer). The Terms and Conditions of Eaton apply, as referenced on Eaton Internet pages and Eaton order confirmations.

Eaton
 EMEA Headquarters
 Route de la Longeraie 7
 1110 Morges, Switzerland

Eaton Electrical Products Limited
 Melton Road
 Burton-on-the-Wolds
 Leicestershire, LE12 5TH
 United Kingdom

© 2017 Eaton
 All Rights Reserved
 PDF Only
 Publication No. 4181
 October 2017

Eaton is a registered trademark.

All other trademarks are property of their respective owners.