



TTDR Dual Digital Timers

The Tempatron TTDR dual digital timer is a 4 digit multifunction, multi-time range digital timer suitable for controlling operation of equipment, machinery, systems or processes in a wide range of industrial applications.

Nine timing functions can be selected together with time ranges from 0.1 second to 99:59 hours, to operate two independent relay output contacts which are isolated from the supply voltage. The output contacts can be configured as two timed outputs, or one timed and one instantaneous output.

These timers are housed in a compact DIN rail mounting enclosure and are powered from 12 to 24Vac/dc or 110/230Vac.

Models Available

TTDRML Dual Digital Timer 12-24Vac/dc

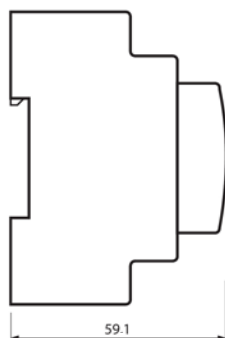
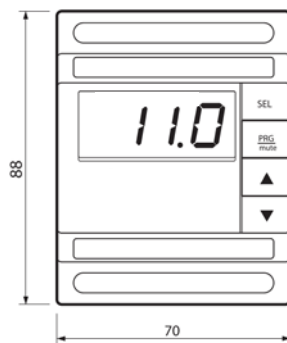
TTDRMH Dual Digital Timer 110/230Vac

Product Features

- 4 digit green LED display dual timer
- 9 programmable timing modes
- 6 time ranges from 0.1 sec to 99:59 hrs
- 12 to 24Vac/dc or 110/230Vac
- 1 changeover and 1 N/O relay output
- Programmable reset function
- External hold and reset
- Security passcode
- IP40 enclosure code
- DIN rail mounting
- Selectable up/down timing
- LED status and timing indicators
- Matching temperature controllers

For timing control of machinery, systems and operational processes

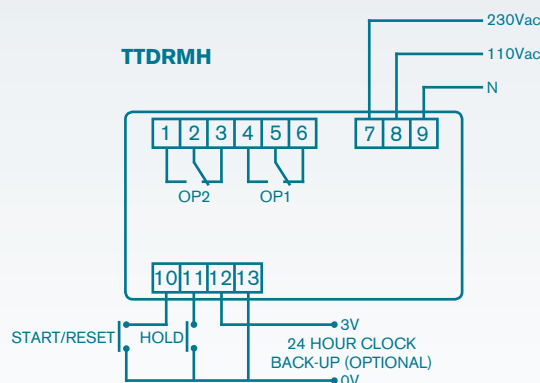
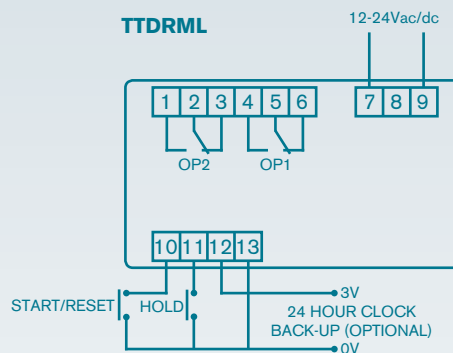
Dimensions



Panel cutout 70mm x 45mm (-0.0/+0.5)

All dimensions in mm

Connections



Ordering information

| Model | Code | Description |
|----------------|---------------|--|
| | TTDRML | Dual 4 Digit Digital Timer 12 to 24Vac/dc (Delay on Energise, Dependent Delay on Energise, Delayed Pulse, Cycling, 2 Delay on Energise, 2 Interval, Delay on Energise & Interval, 2 Delay on De-Energise, 24 Hour Clock) |
| | TTDRMH | Dual 4 Digit Digital Timer 110/230Vac (Delay on Energise, Dependent Delay on Energise, Delayed Pulse, Cycling, 2 Delay on Energise, 2 Interval, Delay on Energise & Interval, 2 Delay on De-Energise, 24 Hour Clock) |
| Example | TTDRML | |

Specification**Accuracy:**

- Scale accuracy: $\pm 0.5\%$ or 20ms (whichever is greatest)
- Repeat accuracy: $\pm 0.3\%$ of set time

Power Supply Voltage:

- TTDRML 12 to 24Vac/dc ($\pm 10\%$)
- TTDRMH 110/230Vac ($\pm 10\%$)

Burden

- $< 3VA$

Frequency:

- 50/60Hz

Back Up Battery:

- External 3Vdc to retain clock on 24 hour mode only, upon loss of supply voltage

Time Ranges:

- 0.1 to 999.9sec, 1 to 9999sec
- 1 to 9999min, 00:01 to 99:59min
- 00:01 to 99:59hrs
- 00:00 to 23:59 in 24 hour clock mode

Relay Output:

- Single pole changeover contact and single pole N/O contact

Contact Rating:

- OP1 8A at 240Vac/30Vdc (resistive)
- OP2 5A at 240Vac/30Vdc (resistive)

Electrical Contact Life:

- 100,000 operations at rated output

Reset Time:

- 100ms approx.

Operating Temperature:

- 0°C to 50°C

Storage Temperature:

- 0°C to 70°C

Enclosure Code:

- Case IP40

Weight:

- 200g

Markings:

- CE marked (meets EN61010-1 low voltage and EN50081-1/50082-1 EMC directives)

Specification subject to change without notice.

Tempatron: Eltime House, Hall Road, Maldon, Essex, CM9 4NF UK.

TEMPATRON

Tempatron Industrial Controls is a division of Eltime Ltd.

© Eltime Ltd. Tempatron TTDR Timers 04/2011